

EASY
EXCELLENCE

3D-SCANNERS
MILLING
PROSTHETIC PARTS
ORTHODONTICS



Instruction manual

CS.Neo2 / CS.Neo2 Pro / CS.Neo2 Max



www.cadstar.dental

 **CADstar**



Table of contents

1. Safety and general information.....	2
1.1 Symbols and means of representation.....	2
1.2 Labeling	3
1.3 Customer service.....	3
1.4 Safety instructions for individual operating phases	3
1.5 Intended use.....	4
1.6 Potential misuse.....	4
1.7 Intended environment.....	4
1.8 Duties of the operator	4
1.9 Qualifications of personnel	5
1.10 Duties of personnel	5
1.11 Personal protective equipment.....	5
2. Transport and installation.....	5
2.1 Unpacking and setting up the device	6
2.2 Select a setup area	6
2.3 Carrying points.....	7
2.4 Installation example.....	7
3. Device overview and connections	8
3.1 Components of the scanner.....	8
3.2 Scanner connector strip.....	8
3.3 Power supply unit	9
3.4 USB cables	9
3.5 Accessories.....	9
4. Function and installation.....	9
4.1 Installing the scanner	9
4.2 Installing the computer	10
4.3 Installing the software	10
5. Working process	10
5.1 ID recognition	11
5.2 LED indication bar	11
5.3 Switching off the scanner.....	11
6. FAQ Troubleshooting.....	11
7. Cleaning and maintenance work for the operator	11
7.1 Cleaning.....	12
7.2 Recalibration	12
7.3 Repair / Troubleshooting	12
8. Disposal	12
9. Technical data.....	13
9.1 Product diagrams & clearances.....	14



1. Safety and general information

This operation manual is structured in accordance with the applicable EU regulations and contains safety instructions. Individuals are responsible for compliance with safety instructions. This chapter contains a general introduction to the safety instructions. It also contains important information on accident prevention.

This optical 3D scanner (hereinafter referred to as the scanner), is a state-of-the-art product in terms of safety for operating personnel and operational reliability. The scanner may nevertheless present hazards if it is used by inadequately trained personnel, or if it is used improperly or not as intended. We refer to possible dangers explicitly in the chapter "Safety and general information," as well as elsewhere in the operation manual.

This operation manual contains the relevant information for installation, commissioning, operation, maintenance and disposal of the scanner.

This operation manual is intended to enable the user to work safely with the scanner.

Observing the instructions in this document will help to avoid hazards and prevent damage to the scanner.

All persons working on and with the scanner must have read the operation manual and observe the information and notes relevant to them. This operation manual must always be complete and fully legible.

CADstar Technology is not liable for any typographical errors in this manual. Likewise, no liability is assumed for damages that are directly or indirectly attributable to the delivery. Even after taking the utmost care in the design and construction of the scanner, and even after taking all issues relevant to safety into account, residual hazards may still exist. These have been evaluated by means of a risk assessment. This chapter lists all residual risks and warnings from the risk assessment.




The information in this document is subject to change without notice. Every effort has been made in the preparation of this document to ensure the accuracy of its contents. Any statement, information or recommendation in this document does not constitute a promise of characteristics of any kind, either expressed or implied.

1.1 Symbols and means of representation

1.1.1 Warnings and additional information

Warnings

The sections marked "NOTE", "CAUTION" and "DANGER" in this document do not include all safety instructions to be followed. They are only supplements to the general safety instructions. CADstar assumes no liability for any consequences caused by the violation of general safety requirements or design, production and usage safety standards. This document distinguishes between the following warning levels, depending on the severity and probability of the danger:

Warning symbol	Description
 DANGER	Indicates a significant hazard that will result in death or serious injury if not avoided.
 CAUTION	Indicates a minor hazard that may result in minor injury if not avoided.
 NOTE	A NOTE is used to explain practices that are not related to personal injury or to improve operations with the product.

1.1.2 Safety sticker on the scanner

Safety instructions are attached to the scanner, which draw attention to possible dangers/residual dangers.

The instructions on the safety sticker on the scanner must be followed under all circumstances. If the safety labels become faded or damaged during the life of the scanner, they must be replaced immediately with new stickers. They must be checked at regular intervals to ensure they are

complete and legible. As soon as the signs are not immediately recognizable or comprehensible at first glance, the optical 3D scanner must be taken out of operation until the new signs are installed.

The pictograms for warnings, prohibitions and requirements on the scanner and their meaning:

Symbol	Meaning
	Crushing hazard This pictogram is located in the area of the swivel arm and warns of a possible crushing hazard between the scanner and the swivel arm.

1.2 Labeling

The scanner is clearly identified by the contents of its nameplate. CE marking according to:

- EMC Directive 2014/30/EU
- Low Voltage Directive 2014/35/EU
- RoHS Directive 2011/65/EU

1.3 Customer service

In case of technical problems, contact your customer service. Or contact CADstar Technology directly. Link: www.cadstar.dental
CADstar Technology Headquarters, Grasslau 30, 5500 Bischofshofen, Austria

1.4 Safety instructions for individual operating phases

1.4.1 Transport and installation

- The scanner may only be transported if it has been properly packed and secured.
- When handling the scanner, ensure that the scanner does not bend, especially when parking after transport.
- The scanner is designed to be set up at an ergonomic height. (Observe the employee protection regulations in your country).
- When laying the cables, ensure that they do not pose a tripping hazard. Always lay the cables along walls. Under no circumstances may the cables be routed so that they are under tension or sagging.
- The location of the scanner must be chosen so that there are no vibrations during scanning operation, i.e. the load capacity of the chosen base (workbench, table, etc.) must be at least twice the value listed in the Technical Specifications and must absorb all vibrations.
- The ambient light must be taken into account when setting up the device. There must not be any change in the ambient light during the scan operation, such as might occur due to shadows from trees or blinds. Neon lights or direct sunlight should also be avoided.
- The scanner must not be operated in damp rooms.
- No liquids should come into contact with the scanner. Do not place any vessels with liquid on the scanner.

1.4.2 Installation and operation

- The operating and maintenance personnel must be instructed regularly on the operation of the system and on potential hazards. They are required to read the operation manual.
- Before each start-up, make sure that there are no parts in the swivel range of the arm, as it performs a reference run when switched on.
- Keep children away from the scanner. Only trained personnel may work with the scanner.
- The optical 3D scanner may only be operated when it is in perfect and clean condition.
- Power supply cables and feeder cables must not be damaged or crushed by other objects.
- Malfunctions or damage must be reported to the operator immediately.
- Removing, modifying, bypassing or circumventing any protective, safety or monitoring devices is prohibited.
- Be aware of possible crushing hazards when operating the scanner inserts.
- If the scanner is not in use for a longer period of time, disconnect it from the power supply.
- Do not place any objects or tools on the scanner.
- Ensure that the area around the scanner remains clear and organized. All objects and containers not required for the workflow must be removed from the area of the scanner.
- Climbing on the scanner, as well as sitting or standing on the scanner are prohibited.



The swivel arm will move when the scanner is switched on. Do not reach into the danger area as finger injuries may occur.



The swivel arm moves during scanning. Do not reach into the danger area as finger injuries may occur.

1.4.3 Improper maintenance, modifications and repairs

The subsequent installation of additional devices from other manufacturers is not permitted, nor is the modification of protective devices without consulting CADstar Technology or the manufacturer of the respective additional device.

- Repairs to the scanner may only be performed by CADstar Technology customer service.

1.5 Intended use

The intended use of the scanner is the three-dimensional, optical measurement of duplicated human structures in combination with the supplied software.

Only impressions and plaster models of the jaws, as well as articulators with plaster models may be inserted (max. 1500 g) dimensions W x L x H: 200 mm x 200 mm x

150 mm. Only accessories recommended by CADstar Technology may be used. The scanner is intended to be used in dental laboratories.

Any other use requires the written consent of CADstar Technology. Improper use may endanger persons and damage the scanner. The product is not an automatically functioning device; it must be loaded manually. Furthermore, any liability and warranty claims are excluded in the event of non-compliance with the intended use.

1.6 Potential misuse

The information in this documentation describes the properties of the product, but does not guarantee them. No liability and warranty claims will be accepted for damages caused by:

- Improper use of the scanner.
- Disregarding the operating instructions.
- Unauthorized changes to the scanner.
- Improper work on and with the scanner.
- Improperly performed repairs.
- Unauthorized, improper modification of operating parameters.
- Catastrophic events, impacts due to foreign objects and force majeure.

1.7 Intended environment

The limits of use for the scanner are restricted as follows:

- To be operated indoors only
- Ambient temperature: 5 °C to 35 °C
- Relative humidity: up to 31°C 20 % - 80 % at temperatures up to 35°C maximum 20-50% linear decreasing - not suitable for humid rooms, non-condensing
- No flickering light (e.g. fluorescent lighting; moving blinds; shadows from trees in the wind).
- Maximum ambient brightness 500lux. No direct sunlight in the scanning area
- Clean and dust free environment
- Horizontal installation site on a stable, vibration-absorbing workstation
- Maximum installation altitude <3000m above sea level

1.8 Duties of the operator



The operator is responsible for the safe operation of the scanner.

- Make sure that only trained, educated or qualified persons work with the scanner.
- Make sure that every person working on the scanner for the first time has read and understood this operating manual.
- Draw special attention to the safety instructions in this manual and on the scanner.
- Keep the operation manual in the area near the scanner and pass it on to new personnel.
- Make sure that no one works on the scanner without having the professional expertise necessary to do so.
- Operating personnel must be instructed at regular intervals on how to work safely with the scanner.
- Please observe national regulations for the protection of female employees.
- When servicing, maintaining or cleaning the scanner, it must be disconnected from the power supply.
- Repairs may only be carried out by a certified service agent
- Make sure that the notices attached to the scanner when it is delivered remain legible. Missing and damaged warning signs must be replaced immediately.

1.9 Qualifications of personnel

This manual is addressed to the operating and maintenance personnel of the scanner. The operating and maintenance personnel are to be named by the operator and must have the following qualifications:

Maintenance personnel:

- Basic technical knowledge
- Reading and understanding these operating and maintenance instructions is a prerequisite.
- The person must be strong enough to lift the unit and place it in its final location.
- Inspection and cleaning may only be carried out by technical specialists with product-specific training or under the guidance of the customer service department

Operators:

- Product training
- Regular safety instruction

1.10 Duties of personnel

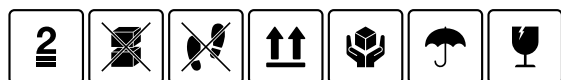
- The safety instructions and operating instructions contained in this operating manual must be observed at all times.
- This scanner may only be operated by appropriately qualified personnel. These personnel must be familiar with all safety instructions and with the corresponding measures contained in this operating manual and on the scanner for operation, maintenance and cleaning.
- The optical scanner must be disconnected from the power supply before cleaning, maintenance and repair work.

1.11 Personal protective equipment

The 3D scanner is designed in such a way that the persons working on the scanner do not require any additional protective equipment beyond the required standard of the operator (e.g. work clothing, work shoes, etc.).

- Persons performing cleaning and maintenance work must observe the prescribed measures for the corresponding cleaning agents (e.g. gloves for cleaners; splash protection, etc.).

2. Transport and installation



First of all, check to ensure the packaging is undamaged. If this is not the case, document the damage and contact the seller. Pay attention to the warnings on the packaging during transport. The device must be transported or stored so that it is well protected, dry and upright in a package.

In case of longer storage, the device should be stored in a dry place in the original packaging. Care must be taken to comply with the storage requirements as stated in the specification.



NOTE!

Transport the scanner only in the original packaging to avoid damage to the device.

2.1 Unpacking and setting up the device

First, open the top of the box and remove the top foam cover with the optional accessories. Then you can hold the scanner by the two recesses and pull it out of the box. Now the fixation for the arm can be removed, the standard accessories are inside the fixation.



Save the packaging for future transport (relocation, service, ...).



Dispose of waste materials in an environmentally friendly manner.

2.2 Select a setup area

Since the environment of the scanner has a significant influence on the product, you should be careful when selecting its location and observe the following:

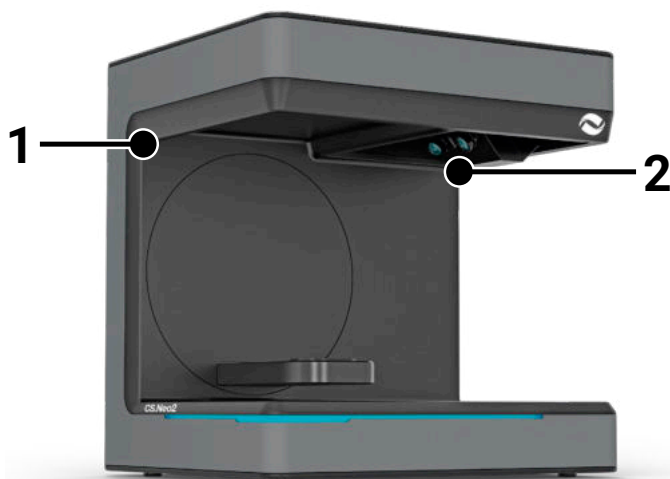
- Avoid rapidly changing lighting conditions such as moving shadows, office lighting that flickers (fluorescent lamps, LED...).
- Never expose the scanner to direct sunlight.
- Avoid direct proximity to heat sources (e.g. radiators, other electrical appliances, fireplaces, etc.).
- Ensure that the installation site is level and vibration-free.
- It must be ensured that there is no extraordinary exposure to dust, respectively poisons or corrosive gases at the installation site.
- Select a mounting or installation location where liquids or objects cannot get into the scanner under any circumstances (e.g. condensation, roof leaks, watering water, etc.).
- Ensure that the mains plug of the power supply unit is always accessible.
- The scanner may only be operated indoors.



Info: Strong external light or sunlight may affect the scan result.

This can lead to poor scan quality or to undesired deviations of the measurement result.

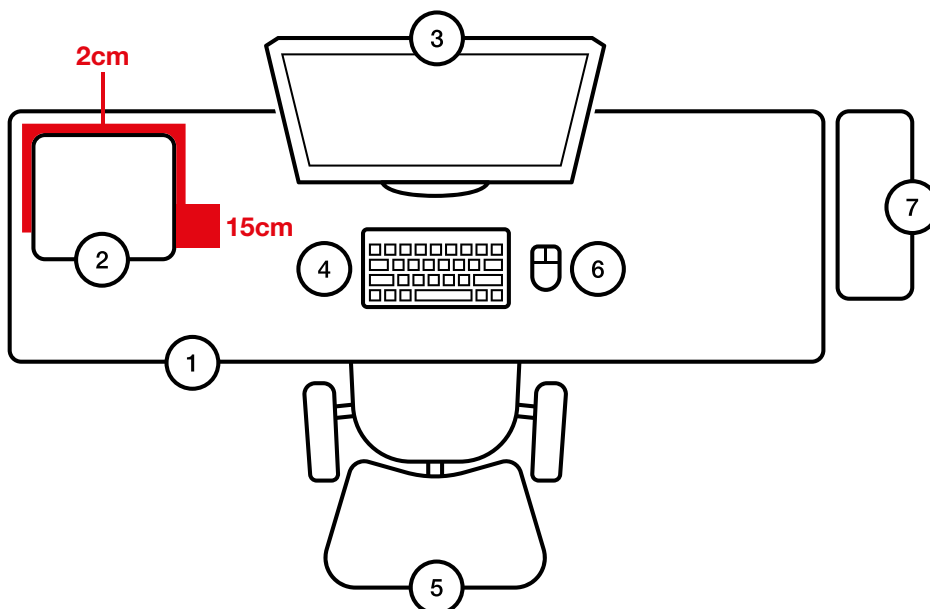
2.3 Carrying points



The two carrying points (1) and (2) are provided to carry the scanner. Hold the scanner at these two points with your left and right hands. The scanner weighs 11-13 kg and can be carried by one person. The open side of the scanner should face away from the body.

2.4 Installation example

The following figure is merely a schematic representation intended to provide an illustration of the overall system. Pay attention to an ergonomic arrangement as well as to the minimum distances for the scanner as shown (red).



No.	Description
1	Desk
2	Optical 3D scanner
3	Computer screen
4	Keyboard
5	Desk chair
6	Mouse
7	Computer



The power supply unit may only be connected to a socket with protective contact

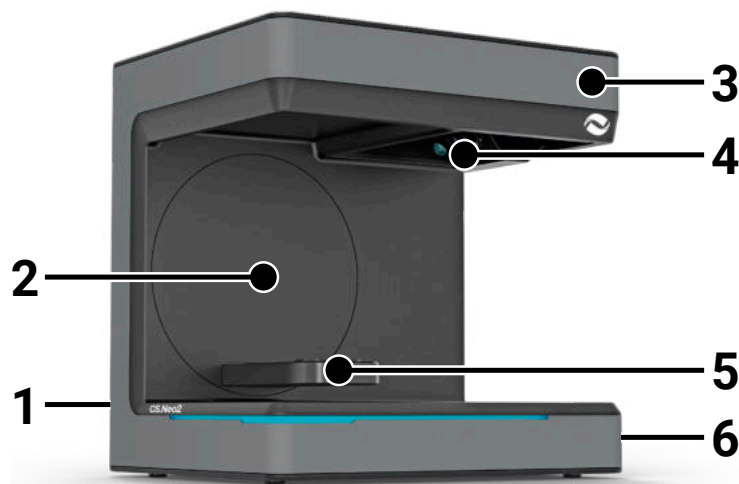


The cables should be laid along walls

3. Device overview and connections

3.1 Components of the scanner

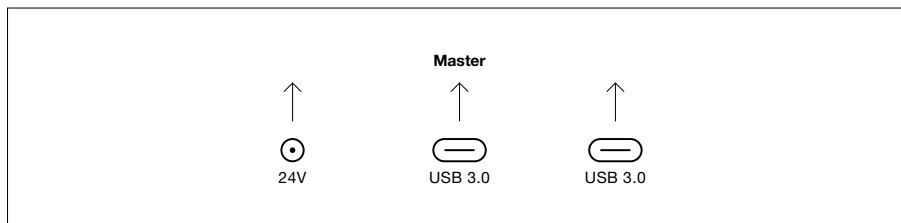
These are the main components in the scanner



No.	Description
1	Connector strip (rear side)
2	Swivel bracket
3	Housing
4	Optical scan unit
5	Model support (CS.Neo2 Max = two support)
6	On/Off button

3.2 Scanner connector strip


The connector strip is located on the back of the scanner and is designed as follows:



No.	Description
1	24V DC power supply socket
2	USB C 3.0 Port Master Unit
3	USB C 3.0 Port Slave Unit (CS.Neo2 Max only)

3.3 Power supply unit

Technical data of the power supply unit

	Property	Value
	Manufacturer	MEAN WELL
	Type	GST90A 24 – P1M
	Input	90 ~ 264VAC 127 ~ 370VDC 47 ~ 63Hz
	Power	90W
	Output	24 V, 3.75 A



Use only the supplied power supply and power cord. The power supply unit may only be connected to a socket with a protective contact.

3.4 USB cables

If possible, use the supplied cable. If you use your own USB cable, pay attention to the following properties. Full 5Gbit USB C cable with shielding maximum 1.4m. For extensions beyond 1.4m, an active USB extension must be used.



For scanners with 2 USB cables, make sure that the full bandwidth is available for each of the two USB cables. (Often USB connectors share the speed)

3.5 Accessories

Each scanner is delivered with the standard accessories. Further accessories can be purchased for certain functions.



NOTE! Only use original accessories.
Otherwise, warranty provisions and product liability risks could be affected.



Take care of the calibration plate so that the surface is not damaged.

4. Function and installation

This optical 3D scanner is designed for the dental field to measure and digitize jaw models in three dimensions. Based on the principle of "fringe light scanning", a fringe light pattern is projected by a projector onto an object to be measured. The distortion of the light pattern caused by the structure of the model is registered by four high-resolution cameras installed in the scanner unit, processed and thus digitized into a virtual and three-dimensional model.

4.1 Installing the scanner

After setting up the scanner, connect it with one or two USB cables, then connect the 24V supply to the external power grid and plug in the power supply.

If the USB cables are too short, they can be extended with special active extensions. Contact CADstar for appropriate products. Important note for devices with two USB connections, it must be ensured that the two USB ports on the PC do not belong to the same USB controller / HUB, since the scanner requires the full bandwidth of 2x 5Gbit/s. This means that a total of 10 Gbit/s must be available.



4.2 Installing the computer

The scanner software requires at least Windows 10 or newer. Make sure that all drivers are up to date (graphics card, USB host, motherboard, etc...). Observe the recommended minimum PC workstation requirements to ensure smooth scanner operation.



Refer to the user manual of the PC.

4.3 Installing the software

The scan software is already pre-installed on the workstations supplied. If this is not the case, the software can be obtained from your dealer or installed remotely by our customer service. Contact CADstar Technology customer service to do so. See the chapter "Customer service."

Note that an internet connection must be available to license the software. This must be done for each new installation.





Administrator rights are required for the installation.



Our support works with "TeamViewer". Please download this software (www.teamviewer.com). After installation, please have your ID and password ready so that our support can connect to your computer.

5. Working process

After you have started the software, you must execute the scanner calibration under the Options menu. To do this, place the calibration plate in the scanner and start the calibration.

Homepage scan software  Options > Scanner calibration QR Menu  Options > Scanner calibration

After successful calibration, you can create a new case. Following fields are mandatory and need to be selected or filled out:

- Patient
- Doctor
- Model type
- Scan mode type



For further details, please refer to the software operation manual.

Once you are in the scan menu, you can scan a model that is in the scanner.

5.1 ID recognition

Each accessory has its own ID recognition by which the scanner can determine what is currently in the scanner and thus perform appropriate functions.



Watch out for the exposed gold pins (24V). Do not short-circuit them!

5.2 LED indication bar

The LED bar is used to indicate states in the software.

- White pulsating > No software connection
- Red > Error
- Rainbow > Calibration
- Blue progress bar > Scan progress indicator

5.3 Switching off the scanner



To switch off the scanner, press the On/Off button for at least 1 second.

6. FAQ Troubleshooting

Scanner does not start:

- If the scanner does not light up at startup, check the power supply and check whether the AC adapter is connected to the scanner.
- Contact our support

Scanner is not recognized on the PC:

- Be sure to use good USB cables with a maximum length of 1.5m (except if active USB extensions from CADstar are used). Exchange the cable to complete a test
- Check to ensure the USB port meets the USB3.0 specification
- Check the driver status in the device manager to ensure it is up to date
- Check if the LEDs on the device are on
- Restart the PC and the scanner
- Contact our support

Stripes are visible on the scan result:

- Watch out for changes in the light during a scan, as this can cause streaking. This is often caused by blinds that move during the scan or sunlight that changes due to trees or reflections on windows.
- Flickering light that can be emitted, for example, neon tubes or LED lighting. You can record a slow motion video with your smartphone to check this. If flickering light is visible, look for and eliminate the cause.

Holes are visible in the scan result:

- Use the "Integrate" tool for this area to close the hole.
- If there are dark spots on the object to be scanned, spray the object with our scan spray.




7. Cleaning and maintenance work for the operator

To ensure long product life and scanning accuracy, it is necessary to regularly clean and calibrate the device.





7.1 Cleaning

Before cleaning, the optical 3D scanner must be put out of operation. To do so, unplug the scanner. Use only dry cloths for cleaning. The scanner may be vacuumed or blown out. However, pay attention to the optical elements so that they do not become misaligned (camera focus). To prevent damage to the optical sensors located in the upper part of the scanner, they may only be dusted gently using a microfiber cloth.

	NOTE! The optical sensor system in the top part of the scanner is extremely sensitive.
	DANGER! Accidentally turning on the scanner during cleaning.
	Do not use water, steam or cleaning agents for cleaning.


7.2 Recalibration

To guarantee a consistent scan result, it is recommended to use the supplied calibration plate to perform a calibration once weekly. The scanner should also be calibrated after transport or if it is moved to a different location. Instructions for recalibrating your scanner can be found in our software manual. Start the scanning process using software and proceed step by step according to the software instructions. If anything is unclear, contact our customer service department (see chapter "Customer service").

	Make sure that the circles on the glass plate are not damaged, otherwise calibration is no longer possible.
	Do not insert the calibration plate, as touching the circles may affect the accuracy of the calibration.


7.3 Repair / Troubleshooting

The optical 3D scanner contains sensitive components and sensor technology. Repair work may therefore only be carried out by CADstar Technology service personnel.

	In case of malfunctions that cannot be solved by restarting the scanner, contact customer service (see the chapter "Customer service").
---	---

8. Disposal

The scanner can be returned to the dealer or manufacturer for disposal. Therefore, if you have any questions regarding proper disposal, please contact our customer service department.

	Please note that the scanner is an electronic device intended for use in commercial/industrial environments only. Disposal via public waste management authorities is therefore not permitted.
---	---



9. Technical data

General information

	CS.Neo2	CS.Neo2 Pro	CS.Neo2 Max
Manufacturer	CADstar Technology GmbH	CADstar Technology GmbH	CADstar Technology GmbH
Acceptance	2023	2023	2023
Weight	11.40 kg	11.50 kg	12.60 kg
Dimensions (W x H x D)	396 x 405 x 337 mm	396 x 405 x 337 mm	396 x 405 x 337 mm

Environment

	CS.Neo2	CS.Neo2 Pro	CS.Neo2 Max
Working temperature range	18 °C to 35 °C	18 °C to 35 °C	18 °C to 35 °C
Storage temperature range	-15 °C to 50 °C	-15 °C to 50 °C	-15 °C to 50 °C
Altitude	0 to 3000 m	0 to 3000 m	0 to 3000 m
Pollution level	2	2	2

Electrical systems

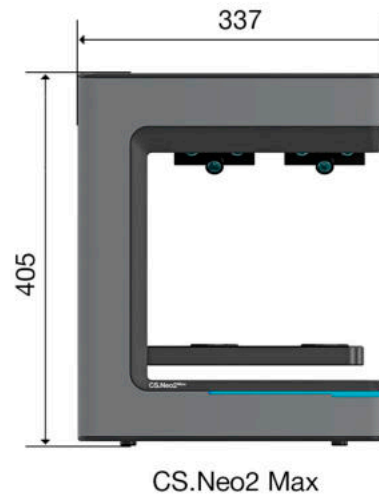
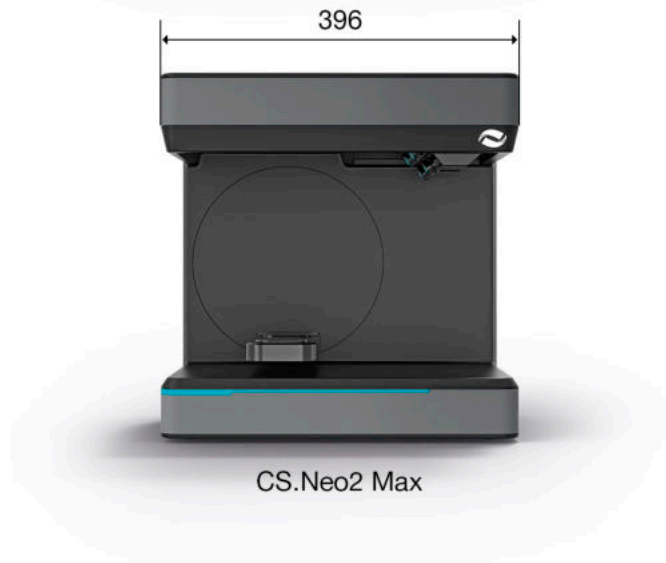
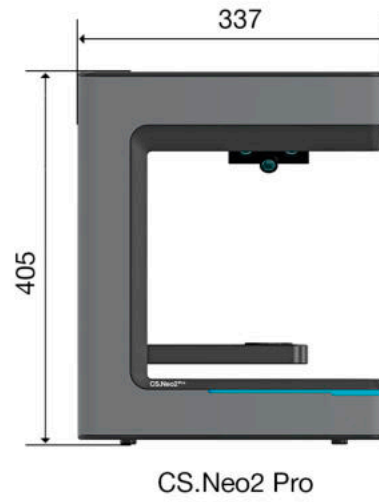
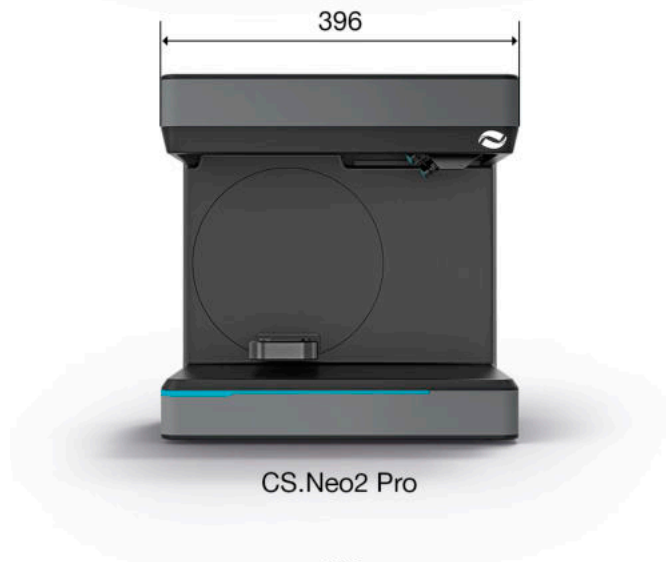
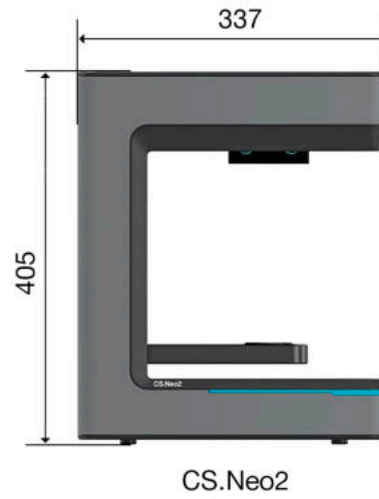
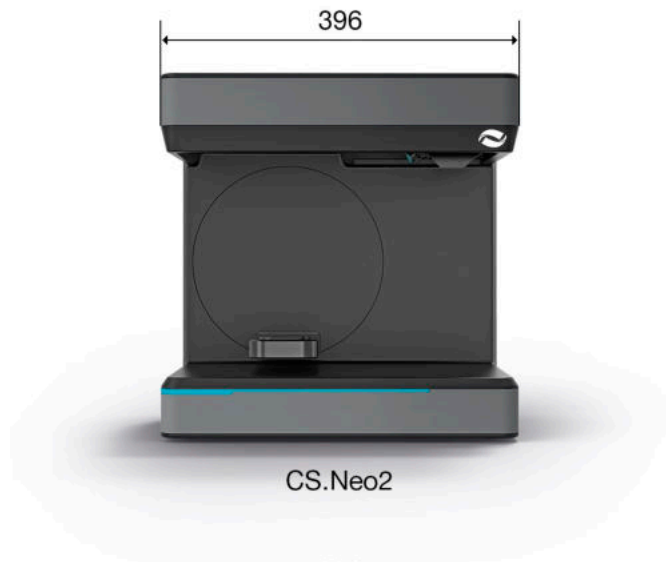
	CS.Neo2	CS.Neo2 Pro	CS.Neo2 Max
Mains voltage	90 - 264VAC	90 - 264VAC	90 - 264VAC
Mains frequency	47 - 63Hz	47 - 63Hz	47 - 63Hz
Power supply unit	90 Wh	90 Wh	90 Wh
Scanner voltage	24V DC +10%	24V DC +10%	24V DC +10%
Power consumption operation	35 Wh	35 Wh	45 Wh
Power consumption stand by	1 Wh	1 Wh	1 Wh
Camera	2x 6Mpix	4x 6Mpix	2x 4x 6Mpix
Type of USB connection	USB 3.0 TYPE C (5Gbit/s)	USB 3.0 TYPE C (5Gbit/s)	USB 3.0 TYPE C (5Gbit/s)
Number of USB connections	1	1	2

Scanner

	CS.Neo2	CS.Neo2 Pro	CS.Neo2 Max
Measuring range (W x H x D)	100 x 100 x 100 mm	100 x 100 x 100 mm	2x 100x100x100mm
Maximum object size	200 x 200 x 150 mm	200 x 200 x 150 mm	300x200x150mm
Maximum object weight	2 kg	2 kg	2 kg
Absolute accuracy	<5 μ	<5 μ	<5 μ
Repeat accuracy	<2 μ	<2 μ	<2 μ
Output format	STL, PLY	STL, PLY	STL, PLY



9.1 Product diagrams & clearances





10. Declaration of Conformity

(Original EC Declaration of Conformity)

Manufacturer: CADstar Technology GmbH Grasslau 30 5500 Bischofshofen	Authorized signatory: Georg Dick (Managing Director)
Product: Optical 3D Scanner CS.Neo2, CS.Neo2 Pro, CS.Neo2 Max	Explanation: CADstar Technology GmbH hereby confirms that the product shown here complies with the basic requirements of EMC 2014/30/EU, Low Voltage 2014/35/EU and the regulations on the restriction of the use of certain hazardous substances in electrical and electronic equipment according to RoHS electronics 2011/65/EU.
Applicable standards:	
Safety requirements	DIN EN IEC62368-1: 2022-09
EMC	DIN EN 55032:2022-08 DIN EN IEC 61000 3-2:2019-12 DIN EN IEC 61000-3-3:2020-07 DIN EN IEC 61000-4-2: 2009-12 DIN EN IEC 61000 4-3:2021-11 DIN EN IEC 61000-4-4:2013-04 DIN EN IEC 61000-4-5:2019-03 DIN EN IEC 61000-4-6:2014-08 DIN EN IEC 61000-4-8:2010-11 DIN EN IEC 61000-4-11:2021-10
RoHS	EN IEC 63000:2018; EU Directive 2011/65/EU:2023
	
Bischofshofen, January 2023	Gerog Dick
(Place and date of declaration)	(Name and signature of authorized signatory)



Inhaltsverzeichnis

1. Sicherheit und Allgemeines	2
1.1 Symbole und Darstellungsmittel.....	2
1.2 Kennzeichnung	3
1.3 Kundendienst	3
1.4 Sicherheitshinweise zu einzelnen Betriebsphasen	3
1.5 Bestimmungsgemäße Verwendung	4
1.6 Potentieller Missbrauch.....	4
1.7 Bestimmungsgemäße Umgebung.....	4
1.8 Pflichten des Betreibers.....	5
1.9 Personalqualifikation	5
1.10 Pflichten des Personals.....	5
1.11 Persönliche Schutzausrüstung.....	5
2. Transport und Aufstellung	5
2.1 Gerät auspacken und aufstellen	6
2.2 Stellplatz wählen.....	6
2.3 Tragepunkte	7
2.4 Aufstellbeispiel	7
3. Geräteübersicht und Anschlüsse	8
3.1 Komponenten des Scanners.....	8
3.2 Scanner Anschlussleiste	8
3.3 Netzteil.....	9
3.4 USB Kabeln.....	9
3.5 Zubehör.....	9
4. Funktion und Installation	9
4.1 Installation des Scanners	9
4.2 Installation des Rechners	10
4.3 Installation der Software.....	10
5. Arbeitsvorgang.....	10
5.2 LED Indikationsbalken	11
5.3 Ausschalten des Scanners.....	11
6. FAQ Fehlerbehebung	11
7. Reinigungs- und Wartungsarbeiten für den Betreiber	11
7.1 Reinigen	12
7.2 Rekalibrierung	12
7.3 Reparatur / Störungsbehebung	12
8. Entsorgung	12
9. Technische Daten	13
9.1 Produktskizzen & Abstände	14

1. Sicherheit und Allgemeines

Diese Bedienungsanleitung ist gemäß den geltenden EU- Bestimmungen aufgebaut und enthält Sicherheitshinweise. Für die Einhaltung der Sicherheitshinweise sind die Einzelpersonen selbst verantwortlich. Dieses Kapitel enthält eine allgemeine Einführung in die Sicherheitshinweise. Des Weiteren finden sich hier wichtige Hinweise zur Unfallverhütung.

Mit diesem optischen 3D-Scanner (nachfolgend als Scanner bezeichnet) verfügen Sie über ein Produkt, das bezüglich Sicherheit für das Bedienpersonal und der Betriebssicherheit auf dem neuesten Stand der Technik ist. Vom Scanner können trotzdem Gefahren ausgehen, wenn er von ungenügend ausgebildetem Personal, unsachgemäß oder nicht bestimmungsgemäß verwendet wird. Wir weisen im Kapitel „Sicherheit und Allgemeines“ explizit aber auch in der gesamten Bedienungsanleitung auf mögliche Gefahren hin.

Diese Bedienungsanleitung enthält die relevanten Informationen für Montage, Inbetriebsetzung, Betrieb, Instandhaltung und Entsorgung des Scanners.

Mit dieser Bedienungsanleitung soll dem Anwender ein gefahrloses Arbeiten mit dem Scanner ermöglicht werden.

Das Beachten, der in diesem Dokument angeführten Hinweise, dient dazu Gefahren zu vermeiden und eine Beschädigung des Scanners zu verhindern.

Alle Personen, die an und mit dem Scanner arbeiten, müssen bei ihren Arbeiten die Bedienungsanleitung gelesen haben und die für sie relevanten Angaben und Hinweise beachten. Diese Bedienungsanleitung muss stets komplett und einwandfrei lesbar sein.

CADstar Technology haftet nicht für drucktechnische Mängel dieser Bedienungsanleitung. Ebenso wird keine Haftung für Schäden übernommen, die direkt oder indirekt auf die Lieferung zurückzuführen sind. Auch bei maximaler Sorgfalt bei Konstruktion und Bau des Scanners und bei Berücksichtigung aller sicherheitsrelevanten Sachverhalte können Restgefahren bestehen, welche mittels einer Risikobewertung evaluiert wurden. In diesem Kapitel sind alle Restrisiken und Warnhinweise aus der Risikobeurteilung gelistet.




Die Informationen in diesem Dokument können ohne Vorankündigung geändert werden. Bei der Erstellung dieses Dokumentes wurde jede mögliche Anstrengung unternommen, um die Richtigkeit des Inhalts zu gewährleisten. Jegliche Aussage, Information oder Empfehlung in diesem Dokument stellt keine Zusage für Eigenschaften jeglicher Art dar, weder ausdrücklich noch implizit.

1.1 Symbole und Darstellungsmittel

1.1.1 Warnhinweise und zusätzliche Informationen

Warnhinweise

Die mit „HINWEIS“, „VORSICHT“ und „GEFAHR“ gekennzeichneten Abschnitte in diesem Dokument beinhalten nicht alle zu befolgenden Sicherheitsanweisungen. Sie sind nur Ergänzungen zu den allgemeinen Sicherheitshinweisen. CADstar übernimmt keine Haftung für jegliche Folgen, die durch die Verletzung von allgemeinen Sicherheitsanforderungen oder Design-, Produktions- und Nutzungssicherheitsstandards verursacht werden. Je nach Schwere und Wahrscheinlichkeit der Gefahr werden folgende Warnstufen unterschieden:

Warnsymbol	Beschreibung
 GEFAHR	Zeigt eine hohe Gefahr an, die zum Tod oder zu schweren Verletzungen führt, wenn sie nicht vermieden wird.
 VORSICHT	Zeigt eine geringe Gefahr an, die zu leichten Verletzungen führen kann, wenn sie nicht vermieden wird.
 HINWEIS	Ein HINWEIS wird verwendet, um Praktiken zu erläutern, die nicht im Zusammenhang mit Personenschäden stehen oder zur Verbesserung der Arbeitsabläufe mit dem Produkt.


1.1.2 Sicherheitsaufkleber am Scanner

Am Scanner sind Sicherheitshinweise angebracht, welche auf mögliche Gefahren/Restgefahren aufmerksam machen.

Den Anweisungen der Sicherheitskennzeichnung am Scanner ist unter allen Umständen Folge zu leisten. Kommt es im Zuge der Lebensdauer des Scanners zum Verblassen oder zu Beschädigungen der Sicherheitskennzeichnung, so sind diese unverzüglich durch neue Schilder zu ersetzen. Die Lesbarkeit und die Vollständigkeit müssen in regelmäßigen Abständen kontrolliert werden. Sobald die Schilder nicht auf den ersten Blick sofort erkenntlich oder begreifbar sind, ist der optische 3D-Scanner bis zum Anbringen der neuen Schilder außer Betrieb zu setzen.



Die Piktogramme für Warnungen, Verbote und Gebote am Scanner und deren Bedeutung:

Symbol	Bedeutung
	Quetschgefahr Dieses Piktogramm befindet sich im Bereich des Schwenkarms und warnt vor einer möglichen Quetschgefahr zwischen Scanner und Schwenkarm.

1.2 Kennzeichnung

Der Scanner ist eindeutig durch den Inhalt seines Typenschildes gekennzeichnet. CE-Kennzeichnung laut:

- EMV Richtlinie 2014/30/EU
- Niederspannungsrichtlinie 2014/35/EU
- RoHS Richtlinie 2011/65/EU

1.3 Kundendienst

Bei technischen Problemen wenden Sie sich an Ihren Kundendienst. Oder direkt an CADstar Technology. Link: www.cadstar.dental
CADstar Technology Zentrale, Grasslau 30, 5500 Bischofshofen, Österreich

1.4 Sicherheitshinweise zu einzelnen Betriebsphasen

1.4.1 Transport und Aufstellung

- Der Scanner darf nur ordnungsgemäß verpackt und gesichert transportiert werden.
- Achten Sie beim Hantieren mit dem Scanner auf mögliche Verbiegung des Scanners. Vor allem beim Abstellen nach einem Transport.
- Der Scanner ist dazu bestimmt, in ergonomischer Höhe aufgebaut zu werden. (Beachten Sie die Arbeitnehmerschutzbestimmungen in Ihrem Land).
- Achten Sie beim Verlegen der Leitungen auf die Stolpergefahr. Verlegen Sie die Leitungen grundsätzlich an Wänden. Die Leitungen dürfen unter keinen Umständen gespannt oder fliegend verlegt werden.
- Der Aufstellort des Scanners ist so zu wählen, dass es keine Vibrationen während des Scanbetriebs gibt, d. h. die Traglast des gewählten Unterbaus (Werkbank, Tisch, etc.) muss mindestens das Doppelte des in den Technischen Spezifikationen aufgeführten Wertes entsprechen und alle Schwingungen absorbieren.
- Beim Aufstellungsort muss das Umgebungslicht beachtet werden. Es darf während des Scanbetriebs zu keiner Änderung des Umgebungslichts kommen wie es z.B. durch Schatten von Bäumen oder Jalousien auftraten könnte. Auch Neonröhren oder direkte Sonneneinstrahlung sollte vermieden werden.
- Der Scanner darf nicht in Feuchträumen betrieben werden.
- Es dürfen keine Flüssigkeiten mit dem Scanner in Berührung kommen. Stellen Sie keine Gefäße mit Flüssigkeit am Scanner ab.

1.4.2 Installation und Bedienung

- Das Bedien- und Wartungspersonal muss regelmäßig über Betrieb und Gefahren an der Anlage unterwiesen werden. Das Lesen der Bedienungsanleitung ist verpflichtend.
- Vergewissern Sie sich vor jeder Inbetriebnahme, dass sich keine Teile im Schwenkbereich des Armes aufhalten da dieser beim Einschalten eine Referenzfahrt macht.
- Halten Sie Kinder vom Scanner fern. Es darf nur geschultes Personal mit dem Scanner arbeiten.
- Der optischer 3D-Scanner darf nur in einwandfreiem und sauberem Zustand betrieben werden.
- Stromversorgungskabel sowie Zuführungskabel dürfen nicht durch andere Gegenstände beschädigt oder gequetscht werden.
- Störungen oder Schäden sind dem Betreiber sofort zu melden.
- Es ist verboten, jegliche Schutz-, Sicherheits- oder Überwachungseinrichtungen zu entfernen, zu ändern, zu überbrücken oder zu umgehen.
- Achten Sie beim Bedienen der Scanner-Einsätze auf mögliche Quetschgefahr.
- Befindet sich der Scanner während längerer Zeit nicht im Einsatz, trennen Sie ihn vom Stromnetz.
- Auf dem Scanner dürfen keine Gegenstände oder Werkzeuge abgelegt werden.
- Im Bereich des Scanners ist auf Sauberkeit und Reinheit zu achten. Alle nicht für den Arbeitsablauf erforderlichen Gegenstände und Gebinde sind aus dem Bereich des Scanners zu entfernen.
- Das Besteigen des Scanners, sowie das Sitzen oder das Stehen am Scanner sind verboten.



Während des Einschaltens bewegt sich der Schwenkarm. Es darf nicht in den Gefahrenbereich gefasst werden, da es zu Verletzungen der Finger kommen kann.



Während dem Scannen bewegt sich der Schwenkarm. Es darf nicht in den Gefahrenbereich gefasst werden, da es zu Verletzungen der Finger kommen kann.

1.4.3 Unsachgemäße Wartung, Modifikationen und Reparaturen

Der nachträgliche Anbau von Zusatzeinrichtungen von Fremdherstellern ist ebenso wie das Verändern von Schutzeinrichtungen ohne Abstimmung mit CADstar Technology oder dem Hersteller der jeweiligen Zusatzeinrichtung unzulässig.

- Die Reparaturen des Scanners dürfen nur durch den CADstar Technology Kundendienst durchgeführt werden.

1.5 Bestimmungsgemäße Verwendung

Die bestimmungsgemäße Verwendung des Scanners besteht in der dreidimensionalen, optischen Vermessung von duplizierten menschlichen Strukturen in Kombination mit der mitgelieferten Software.

Eingelegt werden dürfen ausschließlich Abdrücke und Gipsmodelle vom Kiefern, sowie Artikulatoren mit Gipsmodellen (max. 1500 g) Abmessungen B x L x H: 200 mm x 200 mm x

150 mm. Es darf nur das von CADstar Technology empfohlene Zubehör verwendet werden. Der Scanner ist dazu bestimmt, in zahntechnischen Laboren verwenden zu werden.

Jede anderwärtige Verwendung bedarf der schriftlichen Zustimmung der CADstar Technology. Bei nicht bestimmungsgemäßer Verwendung kann es zu Gefährdungen von Personen und zu einer Beschädigung des Scanners kommen. Das Produkt ist kein selbständig funktionsfähiges Gerät, es muss manuell bestückt werden. Darüber hinaus werden für den Fall der Nichteinhaltung der bestimmungsgemäßen Verwendung die Haftungs- und Gewährleistungsansprüche ausgeschlossen

1.6 Potentieller Missbrauch

Die Angaben dieser Dokumentation beschreiben die Eigenschaften des Produktes, ohne diese zuzusichern. Es wird keine Haftungs- und Gewährleistungsansprüche übernommen für Schäden, die entstehen durch:

- Nicht bestimmungsgemäße Verwendung des Scanners.
- Missachtung der Bedienungsanleitung.
- Eigenmächtige Veränderungen am Scanner.
- Unsachgemäße Arbeiten an und mit dem Scanner.
- Unsachgemäß durchgeführte Reparaturen.
- Eigenmächtige, unsachgemäße Veränderung von Betriebsparametern.
- Katastrophenfälle, Fremdkörpereinwirkung und höhere Gewalt.

1.7 Bestimmungsgemäße Umgebung

Die Einsatzgrenzen für den Scanner sind wie folgt beschränkt:

- Nur in Innenräumen zu betreiben
- Umgebungstemperatur: 5 °C bis 35 °C
- Relative Luftfeuchtigkeit: bis 31°C 20 % - 80 % bei Temperaturen bis 35°C maximal 20-50% Linear abnehmend - nicht für Feuchträume geeignet, nicht kondensierend
- Keine flackerndes Licht (z.B. Leuchtstoffröhre; bewegte Jalousien; Schatten von Bäume im Wind)
- Maximale Umgebungshelligkeit 500lux. Keine direkte Sonneneinstrahlung im Scanbereich
- Saubere und staubfreie Umgebung
- Horizontaler Aufstellungsort auf einem stabilen, vibrationsabsorbierenden Arbeitsplatz
- Maximale Aufstellhöhe <3000m über Meeresspiegel



1.8 Pflichten des Betreibers

Die Verantwortung für den sicheren Betrieb des Scanners obliegt dem Betreiber.

- Stellen Sie sicher, dass nur geschulte, ausgebildete oder qualifizierte Personen mit dem Scanner arbeiten.
- Sorgen Sie dafür, dass jede Person, die zum ersten Mal am Scanner arbeitet, diese Bedienungsanleitung gelesen und verstanden hat.
- Weisen Sie besonders auf die Beachtung der Sicherheitshinweise in dieser Bedienungsanleitung und am Scanner hin.
- Bewahren Sie die Bedienungsanleitung im Bereich des Scanners auf und geben Sie sie an neues Personal weiter.
- Achten Sie darauf, dass niemand ohne Sachkenntnis am Scanner arbeitet.
- Das Bedienpersonal ist in regelmäßigen Abständen über sicheres Arbeiten am Scanner zu unterweisen.
- Beachten Sie dabei die nationalen Arbeitnehmerinnen- Schutzbestimmungen.
- Wenn Service-, Wartungs- oder Reinigungsarbeiten am Scanner durchgeführt werden, muss dieser vom Stromnetz getrennt sein.
- Reparaturen dürfen nur durch einen zertifizierten Servicedienst durchgeführt werden
- Achten Sie darauf, dass die bei der Lieferung des Scanners angebrachten Hinweise gut lesbar bleiben. Fehlende und beschädigte Warnschilder sind sofort zu ersetzen.

1.9 Personalqualifikation

Diese Bedienungsanleitung ist an das Bedien- und Wartungspersonal des Scanners gerichtet. Das Bedien- und Wartungspersonal ist vom Betreiber zu bestimmen und muss folgende Voraussetzungen mitbringen:

Wartungspersonal:

- Technische Grundkenntnisse
- Das Lesen und Verstehen dieser Betriebs- und Wartungsanleitung ist Voraussetzung.
- Die Person muss kräftig genug sein, das Gerät zu heben und an den endgültigen Standort abzustellen.
- Inspektion und Reinigung dürfen nur durch technische Fachkräfte mit produktspezifischer Ausbildung oder unter Anleitung des Kundendienstes geschehen

Bedienungspersonal:

- Produkteinschulung
- Regelmäßige Sicherheitsunterweisung

1.10 Pflichten des Personals

- Die in dieser Bedienungsanleitung enthaltenen Sicherheitshinweise und Betriebsanleitungen sind jederzeit zu beachten.
- Die Bedienung dieses Scanners darf ausschließlich durch entsprechend qualifiziertes Personal erfolgen. Dieses Personal muss mit allen Sicherheitshinweisen und mit den entsprechenden Maßnahmen vertraut sein, die in dieser Bedienungsanleitung und am Scanner für das Bedienen, Warten und Reinigen enthalten sind.
- Vor Reinigungs-, Wartungs- und Reparaturarbeiten muss der optische Scanner spannungslos geschaltet sein.

1.11 Persönliche Schutzausrüstung

Der 3D-Scanner ist so ausgeführt, dass die am Scanner arbeitenden Personen keinerlei über den geforderten Standard des Betreibers hinausgehende zusätzliche Schutzausrüstung benötigen (z. B. Arbeitsbekleidung, Arbeitsschuhe etc.).

- Personen, die Reinigungs- und Wartungsarbeiten durchführen, müssen die vorgeschriebenen Maßnahmen für die entsprechenden Reinigungsmittel einhalten (z. B. Handschuhe bei Reinigern; Spritzschutz usw.).

2. Transport und Aufstellung



Kontrollieren Sie als erstes ob die Verpackung unbeschädigt ist. Falls das nicht der Fall sein sollte dokumentieren Sie die Schäden und melden Sie sich bei ihren Verkäufer. Achten Sie beim Transport auf die Warnhinweise auf der Verpackung. Das Gerät muss gut geschützt, trocken und aufrecht in einer Verpackung transportiert oder gelagert werden.

Bei einer längeren Lagerung sollte das Gerät an einem trockenen Ort in der Originalverpackung gelagert werden. Es ist darauf zu achten, dass die Lagerbestimmungen, wie in der Spezifikation angegeben sind, eingehalten werden.

**HINWEIS!**

Transportieren Sie den Scanner nur in der original Verpackung um Schäden am Gerät zu vermeiden

2.1 Gerät auspacken und aufstellen

Öffnen Sie als ersters den Karton auf der Oberseite und entfernen Sie die obere Schaumstoffabdeckung mit dem Sonderzubehör. Danach können Sie den Scanner über die zwei Aussparungen nehmen und aus dem Karton ziehen. Nun kann die Fixierung für den Arm entfernt werden, im Inneren der Fixierung befindet sich das Standard Zubehör.



Heben Sie die Verpackung für zukünftige Transporte (Übersiedelung, Service, ...) auf.



Entsorgen Sie den anfallenden Abfall umweltgerecht.

2.2 Stellplatz wählen

Da die Umgebung des Scanners maßgeblich Einfluss auf das Produkt hat sollten Sie sorgfältig bei der Standortwahl sein und folgende Punkte beachten:

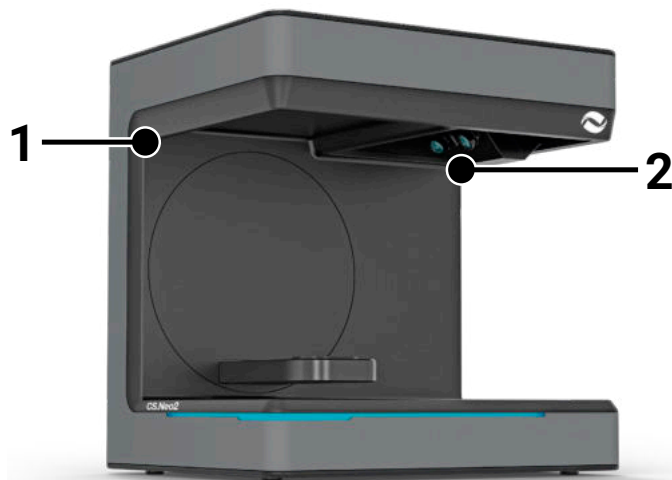
- Vermeiden Sie schnell wechselnde Lichtbedingungen wie z.B. bewegte Schatten, Bürobeleuchtung die flimmern (Leuchtstofflampen, LED...)
- Setzen Sie den Scanner niemals direkter Sonneneinstrahlung aus.
- Vermeiden Sie die direkte Nähe von Wärmequellen (z. B. Heizkörper, andere Elektrogeräte, Kamine etc.).
- Es ist sicherzustellen, dass der Aufstellungsort eben und vibrationsfrei ist.
- Es ist sicherzustellen, dass am Aufstellungsort keine außerordentliche Belastung durch Staub, beziehungsweise Gifte oder ätzende Gase auftritt.
- Wählen Sie einen Montage- bzw. Aufstellungsort, an dem unter keinen Umständen Flüssigkeiten oder Gegenstände in den Scanner gelangen können (z. B. Kondenswasser, Dachundichtigkeiten, Gießwasser etc.).
- Es ist sicherzustellen, dass der Netzstecker des Netzteils immer zugänglich ist.
- Der Scanner darf nur in Innenräumen betrieben werden.

**Info! Starkes Fremdlicht oder Sonneneinstrahlung kann das Scanergebnis beeinflussen.**

Dies kann zu einer schlechten Scanqualität führen oder zu unerwünschten Abweichungen des Messergebnisses.



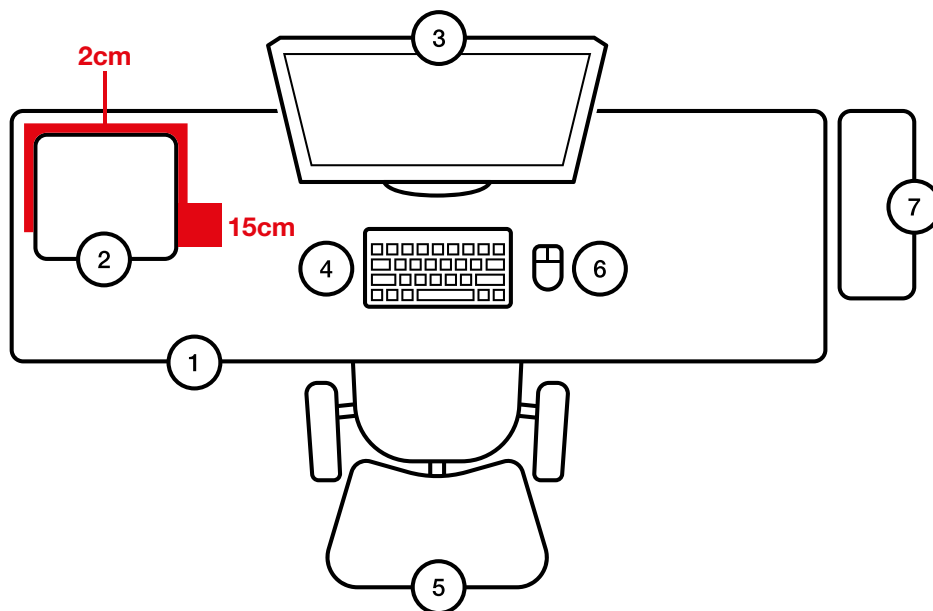
2.3 Tragepunkte



Um den Scanner zu tragen, sind die beiden Tragepunkte (1) und (2) vorgesehen. Halten Sie den Scanner an diesen beiden Punkten mit der linken und der rechten Hand. Der Scanner wiegt 11-13 kg und kann von einer Person getragen werden. Die offene Seite des Scanners sollte dabei vom Körper weg zeigen.

2.4 Aufstellbeispiel

Bei der folgenden Abbildung handelt es sich lediglich um eine schematische Darstellung, welche eine Veranschaulichung des Gesamtsystems bieten soll. Achten Sie auf eine ergonomische Anordnung sowie auf die eingezeichneten Mindestabstände des Scanners (rot).



Nr.	Beschreibung
1	Schreibtisch
2	Optischer 3D-Scanner
3	Computerbildschirm
4	Tastatur
5	Schreibtischsessel
6	Maus
7	Rechner



Das Netzteil darf nur mit einer Steckdose mit Schutzkontakt verbunden werden

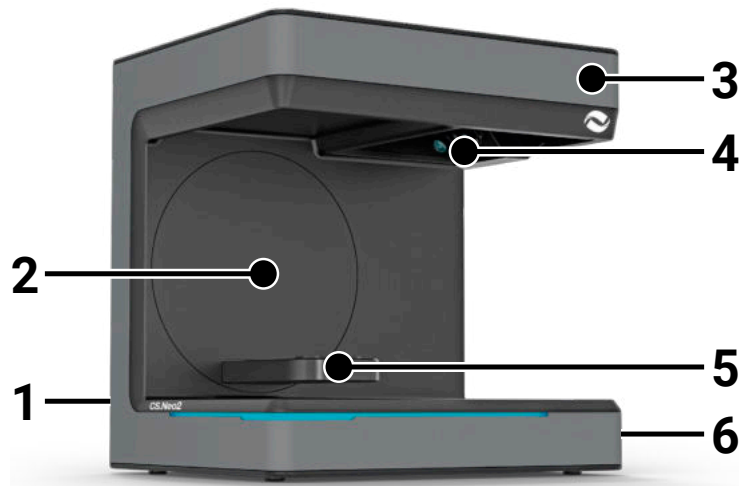


Die Kabel sollten entlang von Wänden verlegen werden

3. Geräteübersicht und Anschlüsse

3.1 Komponenten des Scanners

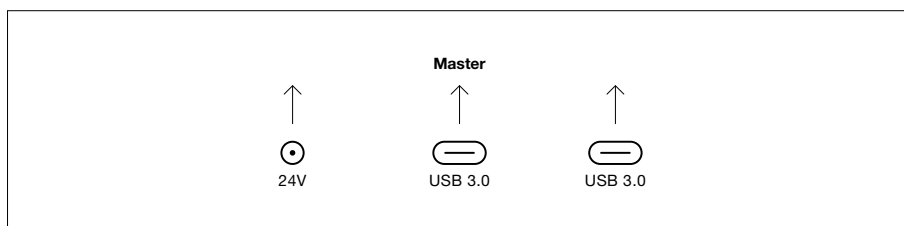
Dies sind die wichtigsten Komponenten im Scanner



Nr.	Beschreibung
1	Anschlussleiste (Rückseite)
2	Schwenkkonsole
3	Gehäuse
4	Optische Scaneinheit
5	Modellaufnahme (CS.Neo2 Max = zwei Aufnahmen)
6	Ein/Austaster

3.2 Scanner Anschlussleiste

Die Anschlussleiste befindet sich auf der Rückseite des Scanners und ist wie folgt ausgeführt:




Nr.	Beschreibung
1	24V DC Stromversorgung Buchse
2	USB C 3.0 Port Master Einheit
3	USB C 3.0 Port Slave Einheit (nur bei CS.Neo2 Max)



3.3 Netzteil

Technische Daten des Netzteils

	Eigenschaft	Wert
	Hersteller	MEAN WELL
	Typ	GST90A 24 – P1M
	Input	90 ~ 264VAC 127 ~ 370VDC 47 ~ 63Hz
	Power	90W
	Output	24 V, 3,75 A



Verwenden Sie nur das mitgelieferte Netzteil und Netzkabel. Das Netzteil darf nur mit einer Steckdose mit Schutzkontakt verbunden werden.

3.4 USB Kabeln

Verwenden Sie wenn möglich das mitgelieferte Kabel. Sollten Sie ein eigenes USB Kabel verwenden, achten sie auf folgende Eigenschaften. Vollwertiges 5Gbit USB C Kabel mit Schirmung maximal 1,4m. Bei Verlängerungen über die 1,4m muss eine aktive USB Verlängerung verwendet werden.



Bei Scanner mit 2 USB Kabeln muss drauf geachtet werden, dass die volle Bandbreite für jedes der beiden USB Kabel zur Verfügung steht. (oft teilen sich USB Stecker die Geschwindigkeit)

3.5 Zubehör

Jeder Scanner wird mit dem Standard Zubehör ausgeliefert. Es kann erweitertes Zubehör für gewisse Funktionen nachgekauft werden.



HINWEIS! Verwenden Sie ausschließlich Original-Zubehör.
Andernfalls könnten Garantiebestimmungen und Produkthaftungsrisiken beeinflusst werden.



Achten Sie auf die Kalibrationsplatte damit die Oberfläche nicht beschädigt wird.

4. Funktion und Installation

Dieser Optische 3D-Scanner ist für den dentalen Bereich konzipiert, um Kiefermodelle dreidimensional zu vermessen und zu digitalisieren. Basierend auf dem Prinzip des „Streifenlicht Scannings“ wird hierbei ein Streifenlichtmuster von einem Projektor auf ein zu vermessende Objekt projiziert. Die durch die Struktur des Modells hervorgerufene Verzerrung des Lichtmusters wird über vier in der Scanner Einheit verbauten hochauflösenden Kameras registriert, verarbeitet und somit zu einem virtuellen und dreidimensionalen Modell digitalisiert.

4.1 Installation des Scanners

Nach der Aufstellung wird der Scanner mit den ein oder zwei USB-Kabeln verbunden danach wird die 24V Versorgung mit dem externen Netzteil hergestellt und das Netzteil angesteckt.

Sind die USB-Kabel zu kurz können diese mit speziellen aktiven Verlängerungen verlängert werden. Wenden sie sich für entsprechende Produkte an CADstar. Wichtig bei Geräten mit zwei USB-Verbindungen muss sichergestellt werden, dass die zwei USB-Ports am PC nicht zum gleichen USB Controller / HUB gehören da der Scanner die volle Bandbreite von 2x 5Gbit/s benötigt. Somit müssen in Summe 10Gbit/s zur Verfügung stehen.

4.2 Installation des Rechners

Die Scanner Software benötigt mindestens Windows 10 oder neuer. Stellen Sie sicher, dass alle Treiber auf dem neuesten Stand sind (Grafikkarte, USB Host, Mainboard usw...). Beachten Sie die empfohlenen Mindestanforderungen der PC-Workstation, um die reibungslose Funktion des Scanners sicherzustellen.



Beachten Sie das Benutzerhandbuch des PCs.

4.3 Installation der Software

Die Scan-Software ist bei mitgelieferten Workstations bereits vorinstalliert. Sollte dies nicht der Fall sein, kann die Software über Ihren Händler bezogen werden oder durch unseren Kundendienst per Fernwartung installiert werden. Kontaktieren Sie hierzu CADstar Technology Kundendienst. Siehe Kapitel „Kundendienst“, Achten Sie darauf, dass für die Lizenzierung der Software eine Internetverbindung vorhanden sein muss. Dies muss bei jeder Neuinstallation vorgenommen werden.



Für die Installation sind Administratorenrechte erforderlich.



Unser Support arbeitet mit „TeamViewer“. Bitte laden Sie sich diese Software herunter (www.teamviewer.com). Nach der Installation halten Sie bitte Ihre ID und das Passwort bereit damit sich unser Support auf Ihren Rechner verbinden kann.

5. Arbeitsvorgang

Nachdem Sie die Software gestartet haben müssen Sie unter dem Menü Optionen die Scanner Kalibrierung ausführen. Hierfür stellen Sie die Kalibrationsplatte in den Scanner und starten die Kalibrierung.

Startseite Scansoftware



Optionen > Scanner kalibrieren ODER Menü



Optionen > Scanner kalibrieren

Nach der erfolgreichen Kalibrierung können Sie einen neuen Fall anlegen. Folgende Felder sind Pflichtfelder und müssen ausgefüllt bzw. ausgewählt sein:

- Patient
- Doctor
- Model type
- Scan mode type



Für weitere Details nehmen Sie bitte die Software Bedienungsanleitung zur Hand.

Sobald Sie im Scan-Menü sind können Sie ein Model, welches sich im Scanner befindet scannen.



5.1 ID Erkennung

Jedes Zubehörteil besitzt eine eigne ID Erkennung durch die der Scanner feststellen kann was sich aktuell im Scanner befindet und so entsprechende Funktionen ausführen.



Achten Sie auf die freiliegenden goldenen Pins (24V). Schließen Sie diese nicht kurz!

5.2 LED Indikationsbalken

Der LED Balken wird für die Indikation von Zuständen in der Software verwendet.

- Weiß pulsierend > Keine Software Verbindung
- Rot > Fehler
- Regenbogen > Kalibrierung
- Blauer Fortschrittsbalken > Fortschrittsanzeige des Scanvorgangs

5.3 Ausschalten des Scanners



Für das Ausschalten des Scanners muss der Ein/Aus Taster mind. 1 Sekunde gedrückt werden.

6. FAQ Fehlerbehebung

Scanner startet nicht:

- Leuchtet der Scanner beim Start nicht, kontrollieren Sie die Stromversorgung und ob das Netzteil mit dem Scanner verbunden ist.
- Wenden Sie sich an unseren Support

Scanner wird am PC nicht erkannt:

- Achten Sie auf gute USB-Kabel und eine maximale Länge von 1,5m (außer durch aktive USB Verlängerungen von der Firma CADstar). Tauschen Sie für einen Test das Kabel
- Überprüfen Sie den USB-Port ob er die USB3.0 Spezifikation erfüllt
- Kontrollieren Sie den Treiberstatus im Gerätemanager auf Aktualität
- Kontrollieren Sie ob die LEDs am Gerät leuchten
- Starten Sie den PC und den Scanner neu
- Wenden Sie sich an unseren Support

Am Scanergebnis sind Streifen erkennbar:

- Achten Sie während eines Scans auf Lichtänderungen, dies kann zu Streifen führen. Ursachen sind oft Jalousien, die sich während des Scans bewegen oder durch Sonnenlicht, welches sich durch Bäume oder Spiegelung an Fenster ändert.
- Flackerndes Licht, das z.B. Neonröhren oder LED Beleuchtung aussenden können. Zur Kontrolle können Sie ein Zeitlupenvideo mit Ihrem Smartphone aufnehmen. Ist flackerndes Licht zu sehen suchen und beseitigen Sie den Verursacher.

Am Scanergebnis sind Löcher erkennbar:




- Nutzen Sie für diesen Bereich das Tool „Integrieren“ um das Loch zu schließen.
- Befinden sich auf dem Objekt, welches abgescannt werden soll, dunkle Punkte, dann besprühen Sie das Objekt mit unserem Scanspray.

7. Reinigungs- und Wartungsarbeiten für den Betreiber

Um einen lange Produktlebensdauer und Scann Genauigkeit zu gewährleisten, ist es notwendig das Gerät regelmäßig zu reinigen und zu kalibrieren.



7.1 Reinigen

Vor Reinigungstätigkeiten muss der optische 3D-Scanner außer Betrieb gesetzt werden. Stecken Sie hierfür den Scanner aus. Verwenden Sie für das Reingingen nur trockene Tücher. Der Scanner darf abgesaugt oder ausgeblasen werden. Achten Sie aber auf die optischen Elemente damit diese nicht verstellt werden (Fokus der Kameras). Um Schäden an der sich im oberen Teil des Scanner befindlichen optischen Sensorik zu verhindern, dürfen diese nur sanft mittels einem Mikrofasertuch entstaubt werden.

	HINWEIS! Die optische Sensorik im oberen Teil des Scanners ist äußerst empfindlich.
	GEFAHR! Versehentliches Einschalten des Scanners während der Reinigung .
	Verwenden Sie für Reinigungsarbeiten weder Wasser, Dampf noch Reinigungsmittel.


7.2 Rekalibrierung

Um ein gleichbleibendes Scanergebnis zu garantieren, wird empfohlen, wöchentlich mithilfe der mitgelieferten Kalibrationsplatte eine Kalibrierung durchzuführen. Ebenso nach Transport, bzw. bei eventuellem Standortwechsel des Scanners sollte dieser kalibriert werden. Eine Anleitung zur Rekalibrierung Ihres Scanners finden Sie in unserem Software-Handbuch. Starten Sie den Scan-Vorgang mittels Software und gehen Sie Schritt für Schritt laut Softwareanweisung vor. Bei Unklarheiten kontaktieren Sie unseren Kundendienst (siehe Kapitel „Kundendienst“).

	Achten Sie darauf, dass die Kreise auf der Glasplatte nicht beschädigt werden, da sonst eine Kalibrierung nicht mehr möglich ist.
	Die Kalibrationsplatte nicht reingingen, da durch das Berühren der Kreise die Genauigkeit der Kalibrierung leiden kann.


7.3 Reparatur / Störungsbehebung

Der optische 3D-Scanner enthält empfindliche Bauteile und Sensorik. Reparaturarbeiten dürfen daher nur von CADstar Technology Servicepersonal durchgeführt werden.

	Bei Störungen, die nicht durch einen Neustart des Scanners behoben werden können, ist der Kundendienst zu kontaktieren (siehe Kapitel „Kundendienst“).
---	--

8. Entsorgung

Im Falle einer Entsorgung kann der Scanner an den Händler bzw. Hersteller zurückgegeben werden. Bei Fragen bezüglich der richtigen Entsorgung wenden Sie sich daher an unseren Kundendienst.

	Bitte beachten Sie, dass es sich bei dem Scanner um ein elektronisches Gerät handelt, das ausschließlich zur Verwendung in gewerbliche bzw. industriellen Bereichen dient. Eine Entsorgung über öffentlich-rechtliche Entsorgungsträger ist daher nicht gestattet.
---	---



9 .Technische Daten

Allgemein

	CS.Neo2	CS.Neo2 Pro	CS.Neo2 Max
Hersteller	CADstar Technology GmbH	CADstar Technology GmbH	CADstar Technology GmbH
Zulassung	2023	2023	2023
Gewicht	11,40 kg	11,50 kg	12,60 kg
Abmessungen (B x H x T)	396 x 405 x 337 mm	396 x 405 x 337 mm	396 x 405 x 337 mm

Umgebung

	CS.Neo2	CS.Neo2 Pro	CS.Neo2 Max
Arbeitstemperatur- bereich	18 °C bis 35 °C	18 °C bis 35 °C	18 °C bis 35 °C
Lagertemperatur- bereich	-15 °C bis 50 °C	-15 °C bis 50 °C	-15 °C bis 50 °C
Höhenlage	0 bis 3000 m	0 bis 3000 m	0 bis 3000 m
Verschmutzungsgrad	2	2	2

Elektrisch

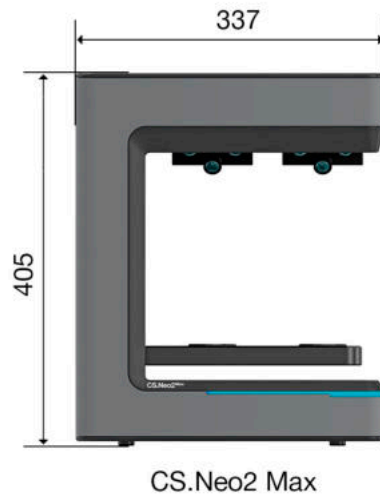
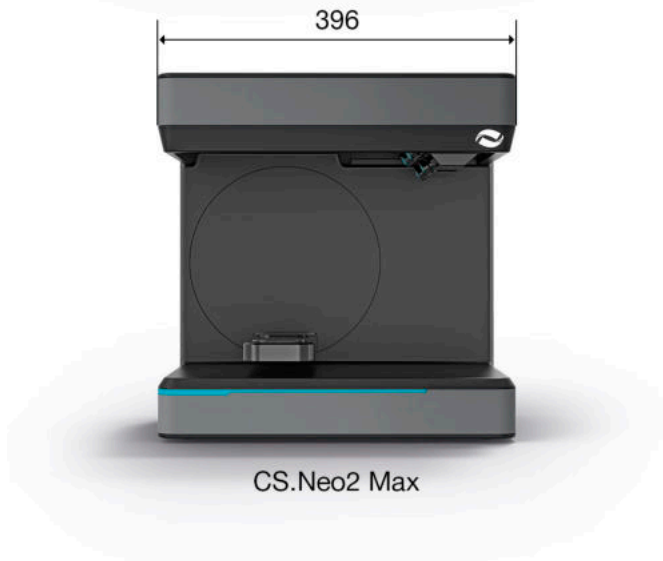
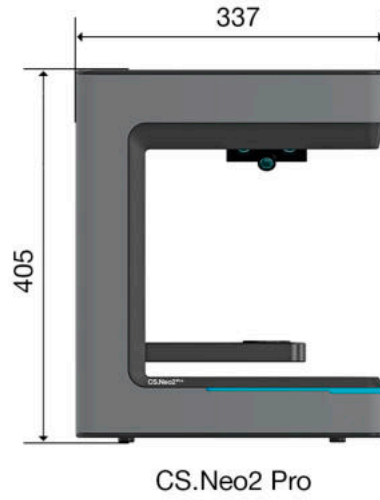
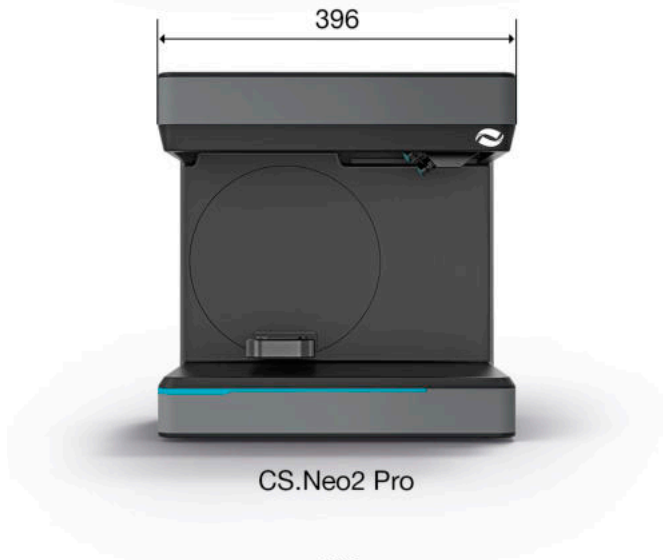
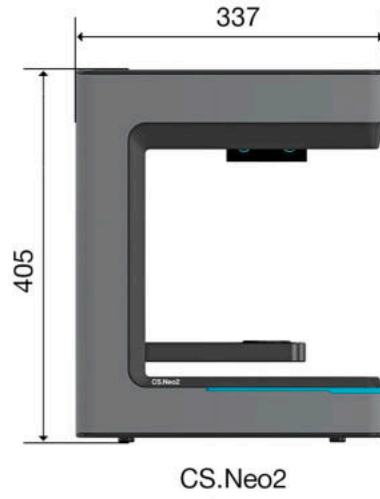
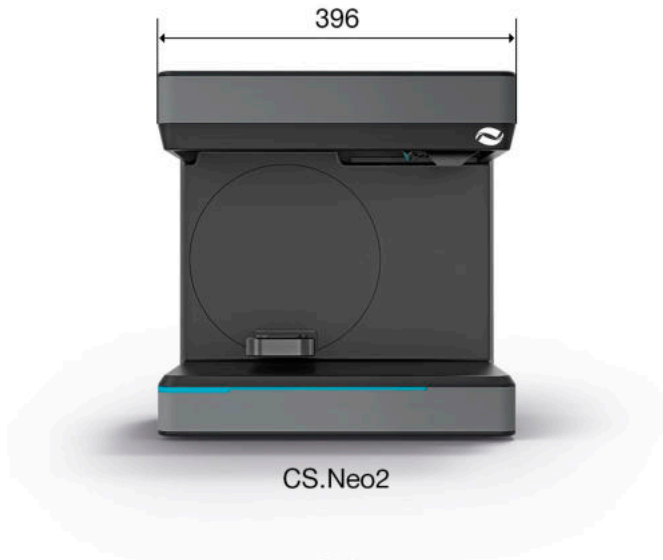
	CS.Neo2	CS.Neo2 Pro	CS.Neo2 Max
Netzspannung	90 - 264VAC	90 - 264VAC	90 - 264VAC
Netzfrequenz	47 - 63Hz	47 - 63Hz	47 - 63Hz
Leistung Netzteil	90 Wh	90 Wh	90 Wh
Scanner Spannung	24V DC +10%	24V DC +10%	24V DC +10%
Leistungsaufnahme Betrieb	35 Wh	35 Wh	45 Wh
Leistungsaufnahme Stand by	1 Wh	1 Wh	1 Wh
Kamera	2x 6Mpix	4x 6Mpix	2x 4x 6Mpix
Art der USB Verbindung	USB 3.0 TYP C (5Gbit/s)	USB 3.0 TYP C (5Gbit/s)	USB 3.0 TYP C (5Gbit/s)
Anzahl USB Verbindungen	1	1	2

Scanner

	CS.Neo2	CS.Neo2 Pro	CS.Neo2 Max
Messbereich (B x H x T)	100 x 100 x 100 mm	100 x 100 x 100 mm	2x 100x100x100mm
Maximale Objektgröße	200 x 200 x 150 mm	200 x 200 x 150 mm	300x200x150mm
Maximales Objektgewicht	2 kg	2 kg	2 kg
Absolut Genauigkeit	<5 µ	<5 µ	<5 µ
Wiederhol Genauigkeit	<2 µ	<2 µ	<2 µ
Ausgabeformat	STL, PLY	STL, PLY	STL, PLY



9.1 Produktskizzen & Abstände





10. Konformitätserklärung

(Original EC Declaration of Conformity)

Manufacturer: CADstar Technology GmbH Grasslau 30 5500 Bischofshofen	Authorized signatory: Georg Dick (Managing Director)
Product: Optical 3D Scanner CS.Neo2, CS.Neo2 Pro, CS.Neo2 Max	Explanation: CADstar Technology GmbH hereby confirms that the product shown here complies with the basic requirements of EMC 2014/30/EU, Low Voltage 2014/35/EU and the regulations on the restriction of the use of certain hazardous substances in electrical and electronic equipment according to RoHS electronics 2011/65/EU.
Applicable standards:	
Safety Requirements	DIN EN IEC62368-1: 2022-09
EMC	DIN EN 55032:2022-08 DIN EN IEC 61000 3-2:2019-12 DIN EN IEC 61000-3-3:2020-07 DIN EN IEC 61000-4-2: 2009-12 DIN EN IEC 61000 4-3:2021-11 DIN EN IEC 61000-4-4:2013-04 DIN EN IEC 61000-4-5:2019-03 DIN EN IEC 61000-4-6:2014-08 DIN EN IEC 61000-4-8:2010-11 DIN EN IEC 61000-4-11:2021-10
RoHS	EN IEC 63000:2018; EU Directive 2011/65/EU:2023
	
Bischofshofen, January 2023	Gerog Dick
(Place and date of declaration)	(Name and signature of authorised signatory)

Indice

1. Sicurezza e informazioni generali	2
1.1 Simboli e mezzi di rappresentazione	2
1.2 Etichettatura	3
1.3 Servizio clienti	3
1.4 Istruzioni di sicurezza per le singole fasi operative	3
1.5 Uso previsto	4
1.6 Potenziale abuso	4
1.7 Ambiente previsto	4
1.8 Compiti dell'operatore	5
1.9 Qualificazione del personale	5
1.10 Compiti del personale	5
1.11 Dispositivi di protezione individuale	5
2. Trasporto e montaggio	5
2.1 Disimballaggio e installazione dell'unità	6
2.2 Selezionare il passo	6
2.3 Punti di supporto	7
2.4 Esempio di installazione	7
3. Panoramica dell'unità e collegamenti	8
3.1 Componenti dello scanner	8
3.2 Morsettiera dello scanner	8
3.3 Alimentatore	9
3.4 Cavi USB	9
3.5 Accessori	9
4. Funzione e installazione	9
4.1 Installazione dello scanner	9
4.2 Installazione del computer	10
4.3 Installazione del software	10
5. Processo di lavoro	10
5.1 Riconoscimento dell'ID	11
5.2 Barra di indicazione a LED	11
5.3 Spegnimento dello scanner	11
6. FAQ Risoluzione dei problemi	11
7. Lavori di pulizia e manutenzione per l'operatore	11
7.1 Pulizia	12
7.2 Ricalibrazione	12
7.3 Riparazione / Risoluzione dei problemi	12
8. Smaltimento	12
9. Dati tecnici	13
9.1 Schizzi del prodotto e distanze	14

1. Sicurezza e informazioni generali

Le presenti istruzioni per l'uso sono strutturate in conformità alle normative UE vigenti e contengono indicazioni di sicurezza. Le singole persone sono responsabili del rispetto delle istruzioni di sicurezza. Questo capitolo contiene un'introduzione generale alle istruzioni di sicurezza. Inoltre, qui si possono trovare importanti informazioni sulla prevenzione degli infortuni.

Con questo scanner ottico 3D (di seguito denominato scanner) disponete di un prodotto all'avanguardia in termini di sicurezza per il personale e di sicurezza operativa. Tuttavia, lo scanner può essere pericoloso se viene utilizzato da personale non adeguatamente addestrato, in modo improprio o non conforme alla sua destinazione. I possibili pericoli sono esplicitamente segnalati nel capitolo "Sicurezza e generalità", ma anche in tutte le istruzioni per l'uso.

Le presenti istruzioni per l'uso contengono le informazioni rilevanti per l'installazione, la messa in funzione, il funzionamento, la manutenzione e lo smaltimento dello scanner.

Le presenti istruzioni per l'uso hanno lo scopo di consentire all'utente di lavorare in sicurezza con lo scanner.

L'osservanza delle istruzioni contenute nel presente documento serve a evitare pericoli e a prevenire danni allo scanner.

Tutte le persone che lavorano sullo scanner e con lo scanner devono aver letto le istruzioni per l'uso e devono osservare le informazioni e le avvertenze che le riguardano. Queste istruzioni per l'uso devono essere sempre complete e perfettamente leggibili.

CADstar Technology non è responsabile di eventuali errori tipografici nelle presenti istruzioni per l'uso. Allo stesso modo, non si assume alcuna responsabilità per i danni direttamente o indirettamente riconducibili alla consegna. Anche se la progettazione e la costruzione dello scanner sono state eseguite con la massima cura e sono stati presi in considerazione tutti i fattori rilevanti per la sicurezza, possono sussistere rischi residui che sono stati valutati mediante una valutazione dei rischi. Questo capitolo elenca tutti i rischi residui e le avvertenze della valutazione dei rischi.




Le informazioni contenute in questo documento sono soggette a modifiche senza preavviso. Nella preparazione di questo documento è stato fatto ogni sforzo per garantire l'accuratezza dei suoi contenuti. Qualsiasi dichiarazione, informazione o raccomandazione contenuta nel presente documento non costituisce una promessa di caratteristiche di alcun tipo, né espressa né implicita.

1.1 Simboli e mezzi di rappresentazione

1.1.1 Avvertenze e informazioni aggiuntive

Avvertenze

Le sezioni "AVVERTENZA", "ATTENZIONE" e "PERICOLO" del presente documento non contengono tutte le istruzioni di sicurezza da seguire. Sono solo un'integrazione alle istruzioni di sicurezza generali. CADstar non si assume alcuna responsabilità per le conseguenze causate dalla violazione dei requisiti generali di sicurezza o degli standard di sicurezza di progettazione, produzione e utilizzo. A seconda della gravità e della probabilità del pericolo, si distinguono i seguenti livelli di avviso:

Simbolo di avvertenza	Descrizione
 PERICOLO	Indica un pericolo elevato che, se non evitato, può causare morte o lesioni gravi.
 ATTENZIONE	Indica un pericolo minore che, se non evitato, può provocare lesioni minori.
 AVVERTENZA	Un'AVVERTENZA viene utilizzata per spiegare pratiche che non sono correlate a lesioni personali o per migliorare le operazioni con il prodotto.

1.1.2 Adesivo di sicurezza sullo scanner


Allo scanner sono allegate istruzioni di sicurezza che richiamano l'attenzione su possibili pericoli/pericoli residui.

Le istruzioni riportate sui cartelli di sicurezza dello scanner devono essere rispettate in ogni caso. Se nel corso della vita utile dello scanner le etichette di sicurezza si sbiadiscono o si danneggiano, è necessario sostituirle immediatamente con nuove etichette. La leggibilità e la completezza devono essere controllate a intervalli regolari.

essere controllato. Non appena i cartelli non sono immediatamente riconoscibili o comprensibili a prima vista, lo scanner ottico 3D deve essere messo fuori servizio fino all'installazione dei nuovi cartelli.



I pittogrammi di avvertenza, divieto e comando sullo scanner e il loro significato:

Simbolo	Significato
	Pericolo di schiacciamento Questo pittogramma si trova nell'area del braccio girevole e segnala un possibile rischio di schiacciamento tra lo scanner e il braccio girevole.

1.2 Etichettatura

Lo scanner è chiaramente identificato dal contenuto della sua targhetta. Marchio CE secondo:

- Direttiva EMC 2014/30/UE
- Direttiva sulla bassa tensione 2014/35/UE
- Direttiva RoHS 2011/65/UE

1.3 Servizio clienti

In caso di problemi tecnici, contattare il servizio clienti. Oppure direttamente a CADstar Technology. Link: www.cadstar.dental
Sede centrale della CADstar Technology, Grasslau 30, 5500 Bischofshofen, Austria

1.4 Istruzioni di sicurezza per le singole fasi operative

1.4.1 Trasporto e installazione

- Lo scanner può essere trasportato solo se adeguatamente imballato e fissato.
- Quando si maneggia lo scanner, prestare attenzione a non piegare lo scanner. Soprattutto quando viene posato dopo un trasporto.
- Lo scanner è progettato per essere posizionato ad un'altezza ergonomica. (Tenere presente le norme di protezione dei lavoratori nel proprio Paese).
- Prestare attenzione al rischio di inciampare durante la posa dei cavi. Posare sempre i cavi lungo le pareti. In nessun caso i cavi devono essere tesi o posati in alto.
- Il luogo di installazione dello scanner deve essere scelto in modo che non vi siano vibrazioni durante l'operazione di scansione, vale a dire che la capacità di carico della base scelta (banco di lavoro, tavolo, ecc.) deve essere almeno doppia rispetto al valore indicato nelle specifiche tecniche e deve assorbire tutte le vibrazioni.
- Durante l'installazione dell'apparecchio è necessario tenere conto della luce ambientale. Durante l'operazione di scansione, la luce ambientale non deve subire variazioni, ad esempio a causa dell'ombra di alberi o tende. È inoltre opportuno evitare le luci al neon o la luce diretta del sole.
- Lo scanner non deve essere utilizzato in ambienti umidi.
- Nessun liquido deve entrare in contatto con lo scanner. Non collocare recipienti contenenti liquidi accanto allo scanner.

1.4.2 Installazione e funzionamento

- Il personale addetto al funzionamento e alla manutenzione deve essere regolarmente istruito sul funzionamento e sui pericoli del sistema. La lettura delle istruzioni per l'uso è obbligatoria.
- Prima di ogni avvio, accertarsi che non vi siano parti nel campo di rotazione del braccio, poiché all'accensione il braccio effettua una corsa di riferimento.
- Tenere i bambini lontani dallo scanner. Solo il personale addestrato può lavorare con lo scanner.
- Lo scanner ottico 3D può essere utilizzato solo in condizioni perfette e pulite.
- I cavi di alimentazione e i cavi di alimentazione non devono essere danneggiati o schiacciati da altri oggetti.
- I guasti o i danni devono essere segnalati immediatamente all'operatore.
- È vietato rimuovere, alterare, aggirare o eludere qualsiasi dispositivo di protezione, sicurezza o monitoraggio.
- Prestare attenzione ai rischi di schiacciamento quando si utilizzano gli inserti dello scanner.
- Se lo scanner non viene utilizzato per un lungo periodo di tempo, scollegarlo dalla rete elettrica.
- Non è consentito appoggiare oggetti o strumenti sullo scanner.
- Nell'area dello scanner, prestare attenzione alla pulizia e alla purezza. Tutti gli oggetti e contenitori che non sono necessari per i processi di lavoro devono essere rimossi dall'area dello scanner.
- È vietato salire sullo scanner, sedersi o stare in piedi davanti allo scanner.



Durante l'accensione, il braccio girevole si muove. Non toccare l'area di pericolo per evitare di ferirsi le dita.



Durante la scansione, il braccio girevole si muove. Non toccare l'area di pericolo per evitare di ferirsi le dita.

1.4.3 Manutenzione, modifiche e riparazioni non corrette

Non è consentita l'installazione successiva di dispositivi supplementari di altri produttori, né la modifica dei dispositivi di protezione senza aver consultato CADstar Technology o il produttore del rispettivo dispositivo supplementare.

- Le riparazioni dello scanner possono essere effettuate solo dal servizio clienti di CADstar Technology.

1.5 Uso previsto

L'uso previsto dello scanner è la misurazione ottica tridimensionale di strutture umane duplicate, in combinazione con il software in dotazione.

Si possono inserire solo impronte e modelli in gesso delle mascelle, nonché articolatori con modelli in gesso (max. 1500 g) Dimensioni L x L x A: 200 mm x 200 mm x

150 mm. È possibile utilizzare solo gli accessori raccomandati da CADstar Technology. Lo scanner è destinato all'uso nei laboratori odontotecnici.

Qualsiasi altro utilizzo richiede il consenso scritto di CADstar Technology. Se lo scanner non viene utilizzato per lo scopo per cui è stato concepito, si rischia di mettere in pericolo le persone e di danneggiare lo scanner. Il prodotto non è un dispositivo funzionante in modo indipendente e deve essere caricato manualmente. Inoltre, in caso di non conformità all'uso previsto, la responsabilità e i diritti di garanzia sono esclusi.

1.6 Potenziale abuso

Le informazioni contenute nella presente documentazione descrivono le proprietà del prodotto senza garantirle. Non si accettano responsabilità o richieste di garanzia per danni causati da:

- Uso improprio dello scanner.
- Non rispettare le istruzioni per l'uso.
- Modifiche non autorizzate allo scanner.
- Lavori impropri sullo e con lo scanner.
- Riparazioni eseguite impropriamente.
- Modifica non autorizzata e impropria dei parametri di funzionamento.
- Catastrofi, effetti di corpi estranei e cause di forza maggiore.

1.7 Ambiente previsto

I limiti di utilizzo dello scanner sono i seguenti:

- Da utilizzare solo in ambienti interni
- Temperatura ambiente: da 5 °C a 35 °C
- Umidità relativa: fino a 31 °C 20% - 80% a temperature fino a 35 °C massimo 20-50% lineare decrescente - non adatto a locali umidi, senza condensa
- Nessuna luce tremolante (ad es. illuminazione fluorescente, tende mobili, ombre di alberi al vento)
- Luminosità ambientale massima 500 lux. Nessuna luce solare diretta nell'area di scansione
- Ambiente pulito e privo di polvere
- Sito di installazione orizzontale su una postazione di lavoro stabile e in grado di assorbire le vibrazioni
- Altitudine massima di installazione <3000m sul livello del mare

1.8 Compiti dell'operatore

L'operatore è responsabile del funzionamento sicuro dello scanner.

- Assicurarsi che solo persone addestrate, istruite o qualificate lavorino con lo scanner.
- Assicurarsi che ogni persona che lavora sullo scanner per la prima volta abbia letto e compreso queste istruzioni per l'uso.
- Prestare particolare attenzione alle istruzioni di sicurezza contenute nelle presenti istruzioni per l'uso e sullo scanner.
- Conservare il manuale di istruzioni nell'area dello scanner e consegnarlo al nuovo personale.
- Assicurarsi che nessuno lavori allo scanner senza essere esperto.
- Il personale operativo deve essere istruito a intervalli regolari su come lavorare in sicurezza con lo scanner.
- Osservare le norme nazionali per la tutela delle lavoratrici.
- In caso di manutenzione, riparazione o pulizia, lo scanner deve essere scollegato dalla rete elettrica.
- Le riparazioni possono essere eseguite solo da un agente di assistenza certificato.
- Assicurarsi che gli avvisi allegati alla consegna dello scanner rimangano chiaramente leggibili. I segnali di pericolo mancanti o danneggiati devono essere sostituiti immediatamente.

1.9 Qualificazione del personale

Le presenti istruzioni per l'uso sono rivolte al personale addetto al funzionamento e alla manutenzione dello scanner. Il personale addetto al funzionamento e alla manutenzione deve essere determinato dall'operatore e deve possedere le seguenti qualifiche:

Personale addetto alla manutenzione:

- Conoscenze tecniche di base
- La lettura e la comprensione delle presenti istruzioni per l'uso e la manutenzione è un requisito essenziale.
- La persona deve essere abbastanza forte da sollevare l'unità e posizionarla nella sua sede definitiva.
- L'ispezione e la pulizia possono essere eseguite solo da tecnici specializzati con una formazione specifica sul prodotto o sotto la guida del servizio clienti.

Operatori:

- Formazione sui prodotti
- Istruzioni regolari sulla sicurezza

1.10 Compiti del personale

- Le indicazioni di sicurezza e le istruzioni per l'uso contenute nelle presenti istruzioni per l'uso devono essere sempre rispettate.
- Questo scanner può essere utilizzato solo da personale adeguatamente qualificato. Questo personale deve essere a conoscenza di tutte le istruzioni di sicurezza e delle misure appropriate contenute nelle presenti istruzioni per l'uso e sullo scanner per il funzionamento, la manutenzione e la pulizia.
- Prima di effettuare interventi di pulizia, manutenzione e riparazione, lo scanner ottico deve essere scollegato dall'alimentazione.

1.11 Dispositivi di protezione individuale

Lo scanner 3D è progettato in modo tale che le persone che lavorano sullo scanner non necessitano di ulteriori dispositivi di protezione oltre a quelli richiesti dall'operatore (ad es. indumenti da lavoro, scarpe da lavoro, ecc.).

- Le persone che eseguono lavori di pulizia e manutenzione devono osservare le misure prescritte per i relativi detergenti (ad es. guanti per i detergenti; protezione dagli spruzzi, ecc.).

2. Trasporto e montaggio



Verificare innanzitutto che l'imballaggio sia integro. In caso contrario, documentare il danno e contattare il venditore. Durante il trasporto, prestare attenzione alle avvertenze riportate sull'imballaggio. L'unità deve essere trasportata o immagazzinata ben protetta, asciutta e in posizione verticale nell'imballaggio.

In caso di stoccaggio prolungato, l'unità deve essere conservata in un luogo asciutto nella sua confezione originale. È necessario assicurarsi che vengano rispettati i requisiti di stoccaggio indicati nella specifica.

**AVVERTENZA!**

Trasportare lo scanner solo nell'imballaggio originale per evitare di danneggiare il dispositivo.

2.1 Disimballaggio e installazione dell'unità

Per prima cosa aprire la scatola sul lato superiore e rimuovere la copertura superiore in schiuma con gli accessori opzionali. Quindi è possibile portare lo scanner sopra le due tacche ed estrarlo dalla scatola. Ora è possibile rimuovere il fissaggio per il braccio, all'interno del quale si trovano gli accessori standard.



Conservare l'imballaggio per un eventuale trasporto futuro (trasloco, assistenza, ...).



Smaltire i rifiuti prodotti nel rispetto dell'ambiente.

2.2 Selezionare il passo

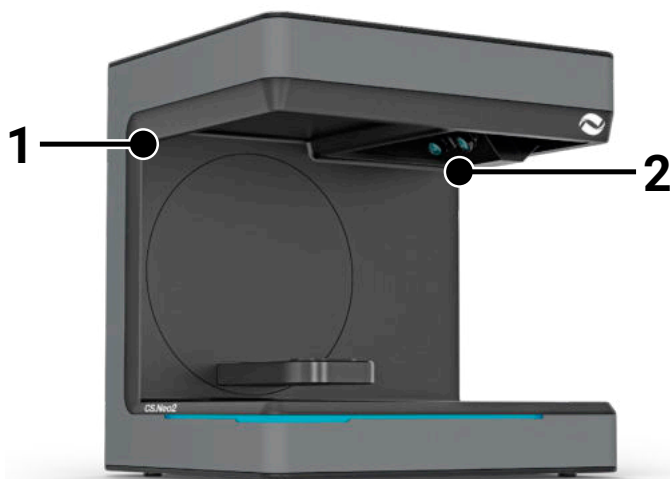
Poiché l'ambiente in cui si trova lo scanner ha un'influenza significativa sul prodotto, è necessario prestare attenzione alla scelta della posizione e rispettare i seguenti punti:

- Evitare condizioni di luce che cambiano rapidamente, come ombre in movimento, illuminazione dell'ufficio che sfarfalla (lampade fluorescenti, LED...).
- Non esporre mai lo scanner alla luce diretta del sole.
- Evitare la vicinanza diretta a fonti di calore (ad es. termosifoni, altri apparecchi elettrici, caminetti, ecc.)
- Assicurarsi che il sito di installazione sia in piano e privo di vibrazioni.
- È necessario assicurarsi che nel luogo di installazione non vi sia un'esposizione straordinaria a polveri, tossine o gas corrosivi.
- Scegliere un luogo in cui non possano entrare liquidi o oggetti nello scanner in nessun caso (ad es. condensa, perdite dal tetto, acqua di irrigazione, ecc.).
- Assicurarsi che la spina di rete dell'alimentatore sia sempre accessibile.
- Lo scanner può essere utilizzato solo in ambienti chiusi.

**Informazioni! Una forte luce estranea o la luce del sole possono influenzare il risultato della scansione.**

Questo può portare a una scarsa qualità della scansione o a deviazioni indesiderate nel risultato della misura.

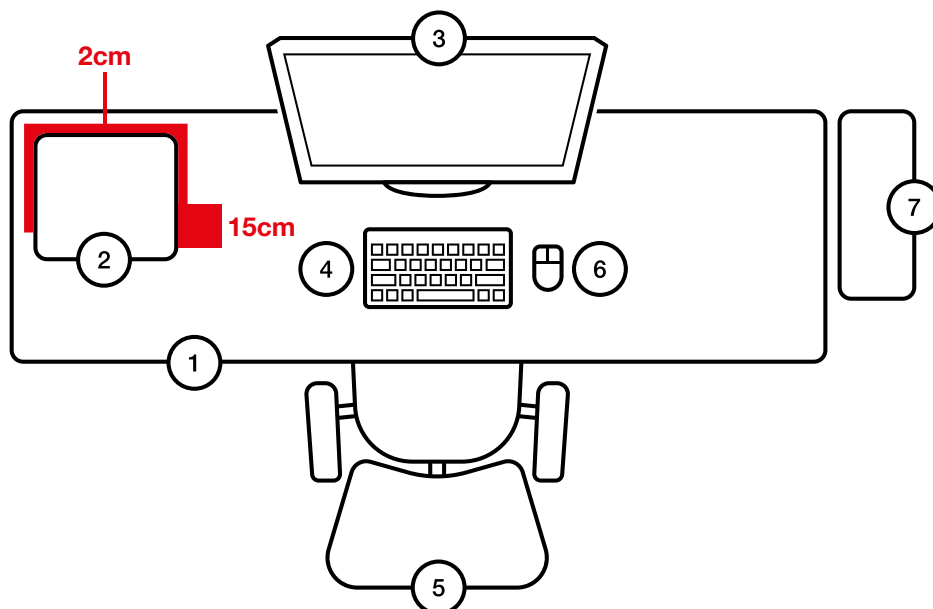
2.3 Punti di supporto



Per trasportare lo scanner ci sono i due punti di trasporto (1) e (2). Tenere lo scanner da questi due punti con la mano destra e sinistra. Lo scanner pesa 11-13 kg e può essere trasportato da una sola persona. Il lato aperto dello scanner deve essere rivolto verso il corpo.

2.4 Esempio di installazione

La figura seguente è solo una rappresentazione schematica che ha lo scopo di fornire un'illustrazione del sistema complessivo. Prestare attenzione alla disposizione ergonomica e alle distanze minime tracciate dello scanner (in rosso).



N°	Descrizione
1	Scrivania
2	Scanner ottico 3D
3	Schermo del computer
4	Tastiera
5	Sedia da scrivania
6	Mouse
7	Calcolatrice



L'alimentatore deve essere collegato esclusivamente a una presa di corrente con contatto di protezione.

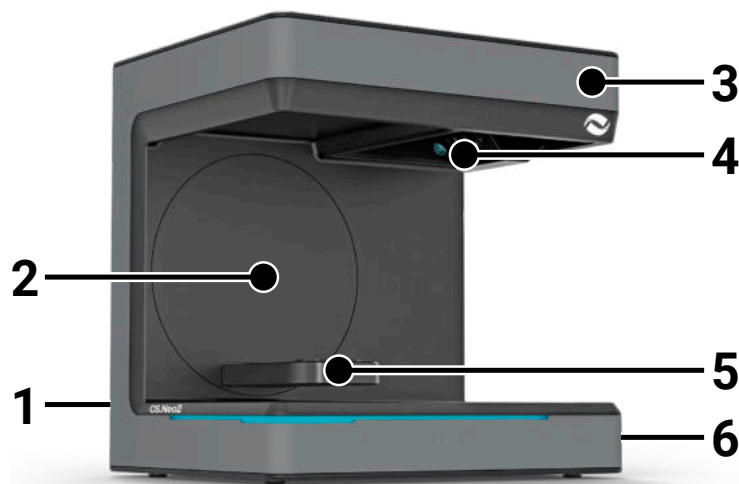


I cavi devono essere posati lungo le pareti

3. Panoramica dell'unità e collegamenti

3.1 Componenti dello scanner

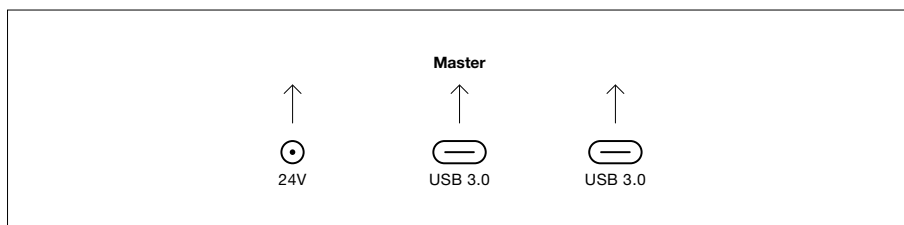
Questi sono i componenti più importanti dello scanner



N°	Descrizione
1	Morsettiera (posteriore)
2	Staffa girevole
3	Alloggiamento
4	Unità di scansione ottica
5	Supporto del modello (CS.Neo2 Max = due supporti)
6	Pulsante di accensione/spegnimento

3.2 Morsettiera dello scanner

La morsettiera si trova sul retro dello scanner ed è strutturata come segue:




N°	Descrizione
1	Presa di alimentazione a 24 V CC
2	Unità master della porta USB C 3.0
3	Unità slave con porta USB C 3.0 (solo con CS.Neo2 Max)



3.3 Alimentatore

Dati tecnici dell'alimentatore

	Proprietà Valore Produttore MEAN WELL Tipo GST90A 24 – P1M Input 90 ~ 264VAC 127 ~ 370VDC 47 ~ 63Hz Power 90W Output 24 V, 3,75 A
---	---



Utilizzare esclusivamente l'adattatore di rete e il cavo di rete in dotazione. L'alimentatore deve essere collegato esclusivamente a una presa di corrente dotata di contatto di protezione.

3.4 Cavi USB

Se possibile, utilizzare il cavo in dotazione. Se si utilizza un cavo USB proprio, prestare attenzione alle seguenti proprietà. Cavo USB C completo a 5Gbit con schermatura massima di 1,4 m. Per estensioni superiori a 1,4 m, è necessario utilizzare una prolunga USB attiva.



Per gli scanner con 2 cavi USB, assicurarsi che l'intera larghezza di banda sia disponibile per ciascuno dei due cavi USB (spesso le prese USB condividono la velocità).

3.5 Accessori

Ogni scanner viene fornito con gli accessori standard. È possibile acquistare accessori estesi per alcune funzioni.



AVVERTENZA! Utilizzare solo accessori originali.
In caso contrario, i fondi di garanzia e i rischi di responsabilità del prodotto potrebbero essere compromessi.



Fare attenzione alla piastra di calibrazione in modo da non danneggiarne la superficie.

4. Funzione e installazione

Questo scanner ottico 3D è stato progettato per il settore dentale per misurare e digitalizzare modelli di mascelle in tre dimensioni. In base al principio della "scansione a frange di luce", un modello di luce a frange viene proiettato da un proiettore sull'oggetto da misurare. La distorsione della luce causata dalla struttura del modello viene registrata tramite quattro fotocamere ad alta risoluzione installate nell'unità di scansione, elaborata e quindi digitalizzata in un modello virtuale e tridimensionale.

4.1 Installazione dello scanner

Dopo l'installazione, lo scanner viene collegato con uno o due cavi USB, quindi si stabilisce l'alimentazione a 24 V con l'alimentatore esterno e si inserisce l'alimentatore.

Se i cavi USB sono troppo corti, possono essere prolungati con speciali prolunghe attive. Contattare CADstar per i prodotti appropriati. È importante assicurarsi che le due porte USB del PC non appartengano allo stesso controller USB/HUB, poiché lo scanner richiede l'intera larghezza di banda di 2 x 5Gbit/s. Pertanto, deve essere disponibile un totale di 10Gbit/s.

4.2 Installazione del computer

Il software dello scanner richiede almeno Windows 10 o più recente. Assicurarsi che tutti i driver siano aggiornati (scheda grafica, host USB, scheda madre, ecc.). Osservare i requisiti minimi raccomandati per la postazione di lavoro del PC per garantire il buon funzionamento dello scanner.



Consultare il manuale d'uso del PC.

4.3 Installazione del software

Il software di scansione è preinstallato sulle stazioni di lavoro fornite. In caso contrario, il software può essere richiesto al rivenditore o installato a distanza dal nostro servizio clienti. Contattare il servizio clienti di CADstar Technology. Vedere il capitolo "Servizio clienti". Per la licenza del software è necessario disporre di una connessione a Internet. Questa operazione deve essere eseguita a ogni nuova installazione.





Per l'installazione sono necessari i diritti di amministratore.



Il nostro supporto funziona con "TeamViewer". Scaricare questo software (www.teamviewer.com). Dopo l'installazione, tenere a portata di mano l'ID e la password per consentire al nostro team di assistenza di collegarsi al computer.

5. Processo di lavoro

Dopo aver avviato il software, è necessario eseguire la calibrazione dello scanner nel menu Opzioni. A tal fine, posizionare la piastra di calibrazione nello scanner e avviare la calibrazione.

Home Scan software  Opzioni > Calibratura dello scanner OPPURE Menu  Opzioni > Calibratura dello scanner

Dopo la calibrazione, è possibile creare un nuovo caso. I seguenti campi sono obbligatori e devono essere compilati o selezionati:

- Patient
- Doctor
- Model type
- Scan mode type



Per ulteriori dettagli, consultare le istruzioni per l'uso del software.

Una volta entrati nel menu di scansione, è possibile eseguire la scansione di un modello presente nello scanner.



5.1 Riconoscimento dell'ID

Ogni accessorio è dotato di un proprio riconoscimento ID che consente allo scanner di determinare ciò che è attualmente presente nello scanner e di eseguire le funzioni appropriate.



Cercare i pin dorati esposti (24V). Non metterli in cortocircuito!

5.2 Barra di indicazione a LED

La barra LED viene utilizzata per indicare gli stati del software.

- Bianco pulsante > Nessun collegamento software
- Rosso > Errore
- Arcobaleno > Calibrazione
- Barra di avanzamento blu > Indicatore di avanzamento del processo di scansione

5.3 Spegnimento dello scanner



Per spegnere lo scanner, è necessario premere almeno una volta il pulsante On/Off. È necessario premere per 1 secondo.

6. FAQ Risoluzione dei problemi

Lo scanner non si avvia:

- Se lo scanner non si accende all'avvio, controllate l'alimentazione e se l'alimentatore è collegato allo scanner.
- Contattare il nostro supporto

Lo scanner non viene riconosciuto dal PC:

- Assicurarsi che il cavo USB sia buono e abbia una lunghezza massima di 1,5 m (tranne che per le prolunghe USB attive di CADstar). Sostituire il cavo per un test
- Controllare la porta USB per verificare se è conforme alle specifiche USB3.0.
- Controllare che lo stato del driver sia aggiornato nella Gestione periferiche.
- Controllare se i LED dell'unità sono accesi.
- Riavviare il PC e lo scanner
- Contattare il nostro supporto

Le strisce sono visibili sul risultato della scansione:

- Fare attenzione ai cambiamenti di luce durante la scansione che possono causare striature. Le cause sono spesso le tende che si muovono durante la scansione o la luce solare che cambia a causa degli alberi o dei riflessi sulle finestre.
- Luce tremolante che può essere emessa, ad esempio, da tubi al neon o da luci a LED. È possibile registrare un video al rallentatore con lo smartphone per verificare. Se si nota una luce tremolante, cercare e rimuovere la causa.

I fori sono visibili nel risultato della scansione:

- Utilizzare lo strumento "Integra" per quest'area per chiudere il foro.
- In caso di macchie scure sull'oggetto da scansionare, spruzzare l'oggetto con il nostro spray per scansione.

7. Lavori di pulizia e manutenzione per l'operatore

Per garantire una lunga durata del prodotto e la precisione della scansione, è necessario pulire e calibrare regolarmente il dispositivo.

7.1 Pulizia

Prima delle attività di pulizia, lo scanner ottico 3D deve essere messo fuori servizio. A tal fine, scollegare lo scanner. Per la pulizia utilizzare solo panni asciutti. Lo scanner può essere aspirato o soffiato. Tuttavia, è necessario prestare attenzione agli elementi ottici in modo che non si disallineino (messa a fuoco delle fotocamere). Per evitare di danneggiare i sensori ottici situati nella parte superiore dello scanner, è necessario spolverarli delicatamente con un panno in microfibra.



AVVERTENZA!

Il sistema di sensori ottici nella parte superiore dello scanner è estremamente sensibile.



PERICOLO!

Accensione accidentale dello scanner durante la pulizia.



Non utilizzare acqua, vapore o detersivi per la pulizia.

7.2 Ricalibrazione

Per garantire un risultato di scansione omogeneo, si consiglia di effettuare scansioni settimanali utilizzando il kit in dotazione. Piastra di calibrazione per eseguire una calibrazione. Lo scanner deve essere calibrato anche dopo il trasporto o se viene spostato in un luogo diverso. Le istruzioni per ricalibrare lo scanner sono disponibili nel manuale del software. Avviare il processo di scansione con il software e procedere passo dopo passo seguendo le istruzioni del software. Se qualcosa non è chiaro, contattare il nostro servizio clienti (vedere il capitolo "Servizio clienti").



Assicurarsi che i cerchi sulla lastra di vetro non siano danneggiati, altrimenti la calibrazione non sarà più possibile.



Non inserire la piastra di calibrazione, poiché il contatto con i cerchi può compromettere la precisione della calibrazione.

7.3 Riparazione / Risoluzione dei problemi

Lo scanner ottico 3D contiene componenti sensibili e tecnologia dei sensori. Pertanto, gli interventi di riparazione devono essere eseguiti esclusivamente dal personale di assistenza CADstar Technology.



In caso di guasti che non possono essere risolti riavviando lo scanner, contattare il servizio di assistenza clienti (vedere il capitolo "Servizio clienti").

8. Smaltimento

In caso di smaltimento, lo scanner può essere restituito al rivenditore o al produttore. Per qualsiasi domanda sul corretto smaltimento, contattare il nostro servizio clienti.



Si noti che lo scanner è un dispositivo elettronico destinato esclusivamente all'uso in aree commerciali o industriali.

Lo smaltimento attraverso le autorità pubbliche di gestione dei rifiuti non è pertanto consentito.

9. Dati tecnici

Generale

	CS.Neo2	CS.Neo2 Pro	CS.Neo2 Max
Produttore	CADstar Technology GmbH	CADstar Technology GmbH	CADstar Technology GmbH
Autorizzazione	2023	2023	2023
Peso	11,40 kg	11,50 kg	12,60 kg
Dimensioni (L x A x P)	396 x 405 x 337 mm	396 x 405 x 337 mm	396 x 405 x 337 mm

Ambiente

	CS.Neo2	CS.Neo2 Pro	CS.Neo2 Max
Intervallo di temperatura di lavoro	Da 18 °C a 35 °C	Da 18 °C a 35 °C	Da 18 °C a 35 °C
Intervallo di temperatura di stoccaggio	Da -15 °C a 50 °C	Da -15 °C a 50 °C	Da -15 °C a 50 °C
Altezza max.	Da 0 a 3000 m	Da 0 a 3000 m	Da 0 a 3000 m
Grado di imbrattamento	2	2	2

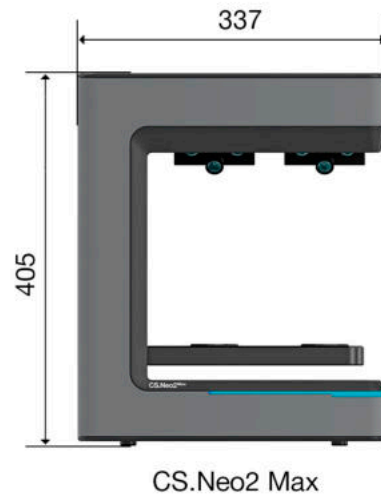
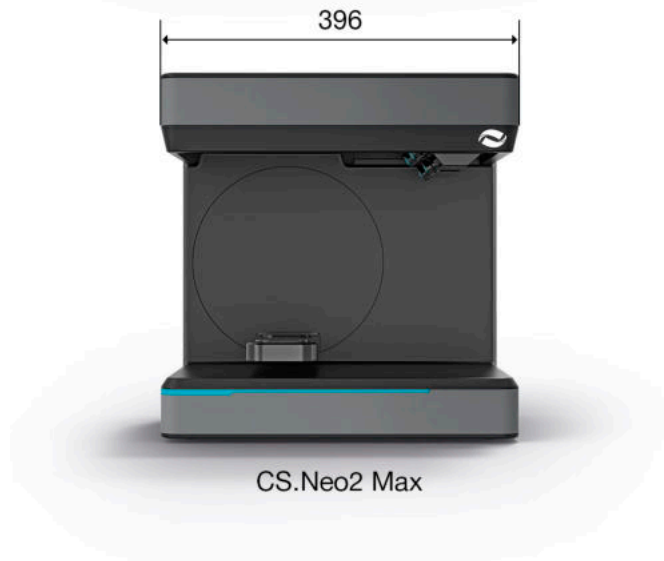
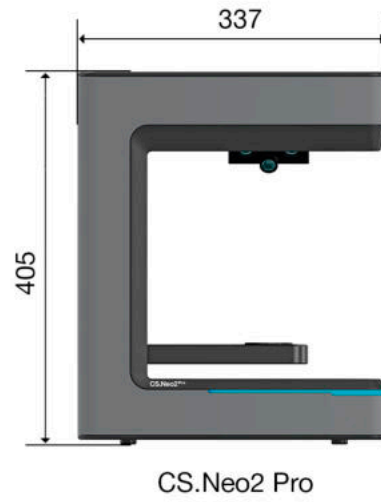
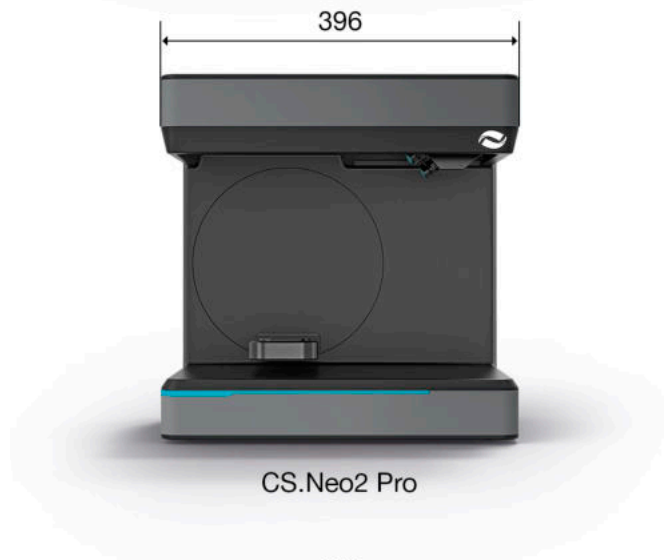
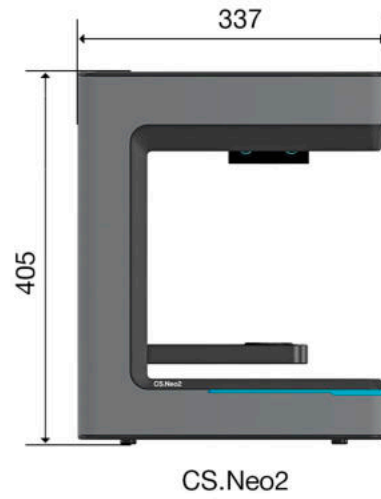
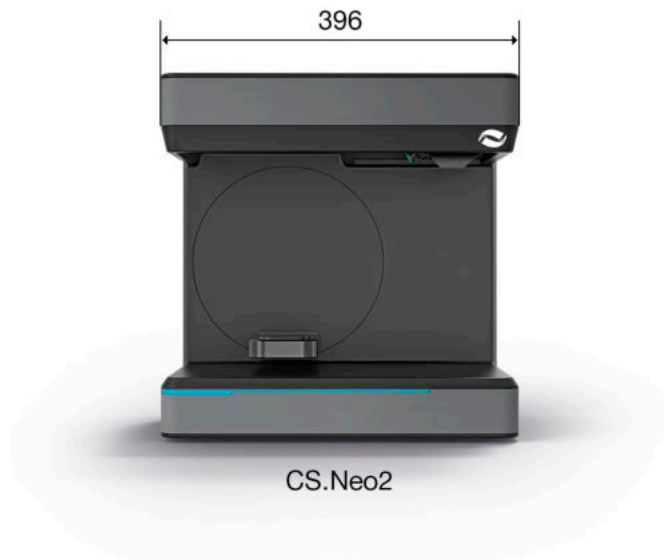
Elettrico

	CS.Neo2	CS.Neo2 Pro	CS.Neo2 Max
Tensione di rete	90 - 264VAC	90 - 264VAC	90 - 264VAC
Frequenza di rete:	47 - 63Hz	47 - 63Hz	47 - 63Hz
Uscita dell'alimentatore	90 Wh	90 Wh	90 Wh
Tensione dello scanner	24V DC +10%	24V DC +10%	24V DC +10%
Funzionamento con consumo di energia	35 Wh	35 Wh	45 Wh
Consumo di energia in standby	1 Wh	1 Wh	1 Wh
Fotocamera	2x 6Mpix	4x 6Mpix	2x 4x 6Mpix
Tipo di connessione USB	USB 3.0 TYP C (5Gbit/s)	USB 3.0 TYP C (5Gbit/s)	USB 3.0 TYP C (5Gbit/s)
Numero di connessioni USB	1	1	2

Scanner

	CS.Neo2	CS.Neo2 Pro	CS.Neo2 Max
Campo di misura (L x A x P)	100 x 100 x 100 mm	100 x 100 x 100 mm	2x 100x100x100mm
Dimensione massima dell'oggetto	200 x 200 x 150 mm	200 x 200 x 150 mm	300x200x150mm
Peso massimo dell'oggetto	2 kg	2 kg	2 kg
Precisione assoluta	<5 µ	<5 µ	<5 µ
Precisione di ripetizione	<2 µ	<2 µ	<2 µ
Formato di uscita	STL, PLY	STL, PLY	STL, PLY

9.1 Schizzi del prodotto e distanze





10. Dichiarazione di conformità

(Dichiarazione di conformità CE originale)

Produttore: CADstar Technology GmbH Grasslau 30 5500 Bischofshofen	Firmatario autorizzato: Georg Dick (Amministratore delegato)
Product: Scanner ottico 3D CS.Neo2, CS.Neo2 Pro, CS.Neo2 Max	Spiegazione: CADstar Technology GmbH conferma che il prodotto qui presentato è conforme ai requisiti di base di EMC 2014/30/UE, Bassa tensione 2014/35/UE e alle norme sulla restrizione dell'uso di determinate sostanze pericolose nelle apparecchiature elettriche ed elettroniche secondo la direttiva RoHS 2011/65/UE.
Standard applicabili:	
Requisiti di sicurezza	DIN EN IEC62368-1: 2022-09
EMC	DIN EN 55032:2022-08 DIN EN IEC 61000 3-2:2019-12 DIN EN IEC 61000-3-3:2020-07 DIN EN IEC 61000-4-2: 2009-12 DIN EN IEC 61000 4-3:2021-11 DIN EN IEC 61000-4-4:2013-04 DIN EN IEC 61000-4-5:2019-03 DIN EN IEC 61000-4-6:2014-08 DIN EN IEC 61000-4-8:2010-11 DIN EN IEC 61000-4-11:2021-10
RoHS	EN IEC 63000:2018; Direttiva UE 2011/65/UE:2023
	
Bischofshofen, gennaio 2023	Georg Dick
(Luogo e data della dichiarazione)	(Nome e firma del firmatario autorizzato)



Índice

1. Seguridad y aspectos generales.....	2
1.1 Símbolos y medios de representación.....	2
1.2 Etiquetado	3
1.3 Atención al cliente	3
1.4 Instrucciones de seguridad para las distintas fases de funcionamiento.....	3
1.5 Uso previsto	4
1.6 Posibles abusos	4
1.7 Entorno previsto.....	4
1.8 Obligaciones del operador.....	5
1.9 Cualificación del personal	5
1.10 Obligaciones del personal.....	5
1.11 Equipos de protección individual.....	5
2. Transporte e instalación	5
2.1 Desembalaje e instalación del aparato	6
2.2 Seleccionar la ubicación.....	6
2.3 Puntos de agarre	7
2.4 Ejemplo de instalación.....	7
3. Visión general de la unidad y las conexiones	8
3.1 Componentes del escáner	8
3.2 Regleta de conectores del escáner	8
3.3 Fuente de alimentación	9
3.4 Cables USB.....	9
3.5 Accesorios	9
4. Funcionamiento e instalación	9
4.1 Instalación del escáner	9
4.2 Instalación del ordenador.....	10
4.3 Instalación del software	10
5. Proceso de funcionamiento	10
5.1 Reconocimiento de ID.....	11
5.2 Barra de indicación LED.....	11
5.3 Apagar el escáner.....	11
6. Preguntas frecuentes relacionadas con la resolución de problemas.....	11
7. Trabajos de limpieza y mantenimiento a llevar a cabo por el operario	11
7.1 Limpieza	12
7.2 Recalibrado	12
7.3 Reparación/resolución de problemas.....	12
8. Eliminación	12
9. Datos técnicos	13
9.1 Bocetos y espaciado de los productos.....	14



1. Seguridad y aspectos generales

Estas instrucciones de uso están estructuradas de acuerdo con la normativa aplicable de la UE y contienen indicaciones de seguridad. Cada individuo es responsable de cumplir las instrucciones de seguridad. Este capítulo contiene una introducción general a las instrucciones de seguridad. Además, aquí encontrará información importante sobre la prevención de accidentes.

Con este escáner óptico 3D (en lo sucesivo, el escáner), dispondrá de un producto puntero en términos de seguridad para los operarios y para seguridad de funcionamiento en general. No obstante, el escáner puede resultar peligroso si es utilizado por personal con una formación inadecuada, de forma incorrecta o no conforme a lo previsto. Señalamos explícitamente los posibles peligros en el capítulo «Seguridad y aspectos generales», pero también a lo largo del manual de instrucciones.

Este manual de instrucciones contiene la información relevante para la instalación, puesta en servicio, funcionamiento, mantenimiento y eliminación del escáner.

El presente manual de instrucciones tiene por objeto permitir al usuario trabajar de forma segura con el escáner.

El cumplimiento de las instrucciones de este documento evita peligros y previene daños en el escáner.

Todo aquel que trabaje en y con el escáner debe haber leído el manual de instrucciones en el momento de realizar su trabajo y debe observar las indicaciones y notas relevantes para ello. Estas instrucciones de uso deben estar siempre completas y ser perfectamente legibles. CADstar Technology no se responsabiliza de los posibles errores tipográficos en estas instrucciones de uso. Asimismo, no se asume responsabilidad alguna por daños directa o indirectamente imputables a la entrega. Incluso con el máximo cuidado en el diseño y la construcción del escáner y teniendo en cuenta todos los hechos relevantes para la seguridad, pueden existir peligros residuales, que se han evaluado mediante una valoración de riesgos. Este capítulo enumera todos los riesgos y advertencias residuales de la evaluación de riesgos.




La información contenida en este documento está sujeta a cambios sin previo aviso. En la preparación de este documento se ha hecho todo lo posible para garantizar la exactitud de su contenido. Cualquier declaración, información o recomendación contenida en este documento no constituye una promesa de características de ningún tipo, ni expresa ni implícita.

1.1 Símbolos y medios de representación

1.1.1 Advertencias e información adicional

Advertencias

Las secciones marcadas con «NOTA», «PRECAUCIÓN» y «PELIGRO» en este documento no contienen todas las instrucciones de seguridad que deben seguirse. Solo son complementos de las instrucciones generales de seguridad. CADstar no acepta ninguna responsabilidad por las consecuencias causadas por la violación de los requisitos generales de seguridad o las normas de seguridad de diseño, producción y uso. En función de la gravedad y la probabilidad del peligro, se distinguen los siguientes niveles de advertencia:


Símbolo de advertencia	Descripción
 PELIGRO	Indica un riesgo elevado que, de no evitarse, podría provocar la muerte o lesiones graves.
 PRECAUCIÓN	Indica un peligro menor que puede provocar lesiones leves si no se evita.
 NOTA	Una NOTA se utiliza para explicar prácticas que no están relacionadas con lesiones personales o para mejorar la operabilidad del producto.

1.1.2 Adhesivo de seguridad en el escáner

Se adjuntan instrucciones de seguridad al escáner a fin de llamar la atención sobre posibles peligros/peligros residuales.

Las instrucciones de las señales de seguridad del escáner deben respetarse bajo cualquier circunstancia. Si, durante la vida útil del escáner, las etiquetas de seguridad se decoloran o se dañan, deben sustituirse inmediatamente por otras nuevas. La legibilidad y la integridad deben comprobarse regularmente. En cuanto las señales de aviso no sean reconocibles o comprensibles a primera vista de forma inmediata, el escáner óptico 3D deberá retirarse del servicio hasta que se instalen las nuevas señales.

Los pictogramas de advertencias, prohibiciones y prescripciones en el escáner y su significado:

Símbolo	Significado
	Peligro de aplastamiento Este pictograma se encuentra en la zona del brazo giratorio y advierte de un posible peligro de aplastamiento entre el escáner y el brazo giratorio.

1.2 Etiquetado

El escáner se identifica claramente por las indicaciones en su placa de características. Marcado CE según:

- Directiva CEM 2014/30/UE
- Directiva de baja tensión 2014/35/UE
- Directiva RoHS 2011/65/UE

1.3 Atención al cliente

En caso de problemas técnicos, póngase en contacto con el servicio de atención al cliente. O directamente a CADstar Technology. Enlace: www.cadstar.dental
CADstar Technology Headquarters, Grasslau 30, 5500 Bischofshofen, Austria

1.4 Instrucciones de seguridad para las distintas fases de funcionamiento



1.4.1 Transporte e instalación

- El escáner solo puede transportarse debidamente embalado y sujeto.
- Al manipular el escáner, preste atención a no doblarlo o deformarlo Especialmente al descargarlo después de un transporte.
- El escáner está diseñado para colocarse a una altura ergonómica. (Tenga en cuenta la normativa de protección de los trabajadores de su país).
- Tenga en cuenta el riesgo de tropezar al extender el cableado. Disponga siempre los cables arrimados a las paredes. En ningún caso deberán disponerse los cables por encima de la cabeza.
- El lugar de instalación del escáner debe elegirse de forma que no se produzcan vibraciones durante la operación de escaneado, es decir, la capacidad de carga de la base elegida (banco de trabajo, mesa, etc.) debe ser al menos el doble del valor indicado en las especificaciones técnicas y debe ser capaz de absorber todas las vibraciones.
- La luz ambiental debe tenerse en cuenta al instalar la unidad. No debe haber cambios en la luz ambiental durante el escaneado, como podría ocurrir, por ejemplo, debido a sombras de árboles o cortinas. También deben evitarse las luces de neón o la luz solar directa.
- El escáner no debe utilizarse en espacios húmedos.
- Ningún líquido debe entrar en contacto con el escáner. No coloque ningún recipiente que contenga líquido junto al escáner.

1.4.2 Instalación y funcionamiento

- El personal de operación y mantenimiento debe recibir formación regularmente sobre el funcionamiento y los peligros del sistema. Es obligatorio leer el manual de instrucciones.
- Antes de cada puesta en marcha, asegúrese de que no haya ningún elemento en el radio de giro del brazo, ya que este realizará un recorrido de referencia al encenderse.
- Mantenga a los niños alejados del escáner. Únicamente el personal cualificado puede trabajar con el escáner.
- El escáner óptico 3D solo debe utilizarse en perfectas condiciones de limpieza.
- Los cables de alimentación, así como los cables de conexión, no deben resultar dañados ni aplastados por otros objetos.
- Los fallos o daños deben comunicarse inmediatamente al operador.
- Está prohibido retirar, alterar, puentear o eludir cualquier dispositivo de protección, seguridad o control.
- Tenga en cuenta los posibles riesgos de aplastamiento al utilizar el escáner.
- Si no va a utilizar el escáner durante un largo periodo de tiempo, desconéctelo de la red eléctrica.
- No deben colocarse objetos ni herramientas sobre el escáner.
- En la zona del escáner, preste especial atención a la limpieza. Todos los objetos y recipientes que no sean necesarios para el proceso de escaneo deben retirarse de la zona del escáner.
- Está prohibido subirse al escáner, sentarse o estar de pie sobre él.



	Durante el encendido, el brazo giratorio se desplazará. No introduzca la mano en la zona de peligro, ya que podría lesionarse los dedos.
	Durante el escaneo, el brazo giratorio se desplazará. No introduzca la mano en la zona de peligro, ya que podría lesionarse los dedos.

1.4.3 Mantenimiento, modificaciones y reparaciones inadecuados

No está permitida la instalación posterior de dispositivos adicionales de otros fabricantes ni la modificación de los dispositivos de protección sin consultar con CADstar Technology o con el fabricante del dispositivo adicional correspondiente.

- Las reparaciones del escáner solo puede llevarlas a cabo el servicio de atención al cliente de CADstar Technology.

1.5 Uso previsto

El uso previsto del escáner es la medición óptica tridimensional de estructuras humanas duplicadas en combinación con el software suministrado.

Solo pueden introducirse impresiones y modelos de escayola de los maxilares, así como articuladores con modelos de escayola (máx. 1500 g) con dimensiones an. x lar. x al.: 200 mm x 200 mm x

150 mm. Solo pueden utilizarse los accesorios recomendados por CADstar Technology. El escáner está pensado para su uso en laboratorios dentales.

Cualquier otro uso requiere el consentimiento por escrito de CADstar Technology. Si el escáner no se utiliza para los fines previstos, podría dañarse y poner en peligro a las personas. El producto no es un dispositivo de funcionamiento autónomo, debe cargarse manualmente. Además, en caso de incumplimiento del uso previsto, quedan excluidas la responsabilidad y las reclamaciones de garantía.

1.6 Posibles abusos

La información de esta documentación describe las propiedades del producto sin garantizarlas. No se aceptan reclamaciones de responsabilidad o garantía por daños causados por:

- Uso inadecuado del escáner.
- Desconocimiento de las instrucciones de uso.
- Cambios no autorizados en el escáner.
- Trabajo inadecuado en y con el escáner.
- Reparaciones mal efectuadas.
- Modificación indebida y no autorizada de los parámetros de funcionamiento.
- Catástrofes, impacto de cuerpos extraños y fuerza mayor.

1.7 Entorno previsto

Los límites de uso del escáner son los siguientes:

- Para uso exclusivo en interiores
- Temperatura ambiente: 5 °C a 35 °C
- Humedad relativa: hasta 31 °C 20 % - 80 % a temperaturas de hasta 35 °C máximo 20-50 % lineal decreciente - No apto para locales húmedos, sin condensación
- No usar con luces parpadeantes (por ejemplo, fluorescentes, cortinas en movimiento, sombras de árboles causadas por el viento, etc.)
- Luminosidad ambiente máxima 500 lux. No usar con luz solar directa en la zona de escaneado
- Entorno limpio y sin polvo
- Lugar de instalación horizontal en una estación de trabajo estable que absorba las vibraciones
- Altitud máxima de instalación <3000 m sobre el nivel del mar

1.8 Obligaciones del operador

El operador es responsable del funcionamiento seguro del escáner.

- Asegúrese de que solo trabajen con el escáner personas formadas, instruidas y cualificadas.
- Asegúrese de que todas las personas que trabajen con el escáner por primera vez hayan leído y comprendido este manual de instrucciones.
- Preste especial atención a las indicaciones de seguridad de este manual de instrucciones y del escáner.
- Conserve el manual de instrucciones en la zona del escáner y entréguelo al personal recién incorporado.
- Asegúrese de que nadie trabaje en el escáner sin los conocimientos necesarios.
- Los operarios deben recibir formación a intervalos regulares sobre cómo trabajar de forma segura con el escáner.
- Respetar la normativa nacional de protección de las trabajadoras.
- El escáner debe desconectarse de la red eléctrica para realizar tareas de mantenimiento, reparación o limpieza.
- Las reparaciones solo pueden ser realizadas por un agente de servicio certificado
- Asegúrese de que los avisos adjuntos al entregar el escáner siguen siendo claramente legibles. Las señales de advertencia que falten o estén dañadas deben sustituirse inmediatamente.

1.9 Cualificación del personal

Este manual de instrucciones está dirigido al personal de operación y mantenimiento del escáner. El personal de operación y mantenimiento será determinado por el operador y deberá tener las siguientes cualificaciones:

Personal de mantenimiento:

- Conocimientos técnicos básicos
- La lectura y comprensión de estas instrucciones de funcionamiento y mantenimiento es un requisito previo.
- La persona debe tener la fuerza suficiente para levantar la unidad y colocarla en su ubicación definitiva.
- La inspección y la limpieza solo pueden ser realizadas por especialistas técnicos con formación específica sobre el producto o bajo la orientación del servicio de atención al cliente.

Operarios:

- Formación sobre productos
- Instrucciones de seguridad periódicas

1.10 Obligaciones del personal

- Deben respetarse en todo momento las indicaciones de seguridad y las instrucciones de uso contenidas en este manual de instrucciones.
- Este escáner solo debe ser utilizado por personal debidamente cualificado. Dicho personal debe estar familiarizado con todas las instrucciones de seguridad y con las medidas apropiadas contenidas en este manual de instrucciones y en el escáner para su funcionamiento, mantenimiento y limpieza.
- Antes de realizar trabajos de limpieza, mantenimiento o reparación, el escáner óptico debe desconectarse de la red eléctrica.

1.11 Equipos de protección individual

El escáner 3D está diseñado de tal manera que las personas que trabajen en él no necesiten ningún equipo de protección adicional más allá del estándar exigido al operario (por ejemplo, ropa de trabajo, calzado de trabajo, etc.).

- Las personas que realicen trabajos de limpieza y mantenimiento deben observar las medidas prescritas para los productos de limpieza correspondientes (por ejemplo, guantes para la limpieza, protección contra salpicaduras, etc.).

2. Transporte e instalación



En primer lugar, compruebe que el embalaje no esté dañado. De no ser así, documente los daños y póngase en contacto con el vendedor. Preste atención a las advertencias del embalaje durante el transporte. La unidad debe transportarse o almacenarse bien protegida, seca y en posición vertical dentro del embalaje.

En caso de almacenamiento prolongado, la unidad debe guardarse en un lugar seco en su embalaje original. Es imprescindible asegurarse de que se cumplen los requisitos de almacenamiento indicados en las especificaciones.

**NOTA**

Transporte el escáner únicamente en el embalaje original para evitar daños en el aparato.

2.1 Desembalaje e instalación del aparato

En primer lugar, abra la caja por la parte superior y retire la protección de espuma con los accesorios opcionales. A continuación, sujete el escáner por las dos hendiduras y sáquelo de la caja. Ahora ya puede retirar la fijación para el brazo, dentro de ella encontrará los accesorios estándar.



Guarde el embalaje para futuros transportes (traslado, servicio, etc.).



Elimine los residuos producidos de forma respetuosa con el medio ambiente.

2.2 Seleccionar la ubicación

Dado que el entorno del escáner influye considerablemente en el producto, debe tener cuidado al seleccionar la ubicación y observar los siguientes puntos:

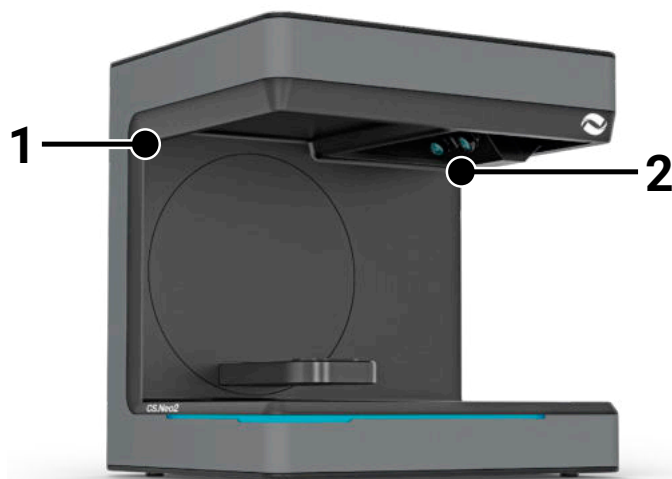
- Evite condiciones de iluminación que cambien rápidamente, como sombras en movimiento, iluminación parpadeante (lámparas fluorescentes, LED...).
- No exponga nunca el escáner a la luz solar directa.
- Evite la proximidad directa a fuentes de calor (por ejemplo, radiadores, otros aparatos eléctricos, chimeneas, etc.).
- Asegúrese de que el lugar de instalación esté nivelado y libre de vibraciones.
- Debe garantizarse que no haya una alta exposición al polvo, toxinas o gases corrosivos en el lugar de instalación.
- Elija un lugar en el que no puedan entrar líquidos ni objetos en el escáner bajo ninguna circunstancia (por ejemplo, condensación, goteras, agua de riego, etc.).
- Asegúrese de que el enchufe de la fuente de alimentación esté siempre accesible.
- El escáner solo puede utilizarse en interiores.

**Información: Una luz externa intensa o la luz solar pueden afectar al resultado del escaneado.**

Esto puede dar lugar a una mala calidad del escaneado o a desviaciones no deseadas en el resultado de la medición.



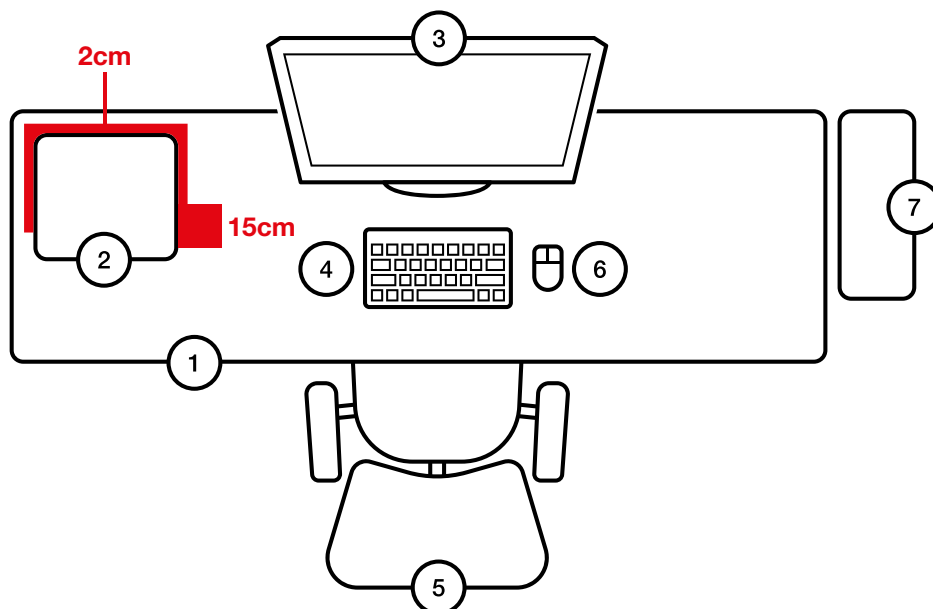
2.3 Puntos de agarre



Para desplazar el escáner, se han previsto los dos puntos de agarre (1) y (2). Sujete el escáner por estos dos puntos con las manos izquierda y derecha. El escáner pesa entre 11 y 13 kg y puede transportarlo una sola persona. La abertura del escáner debe mirar en dirección opuesta al cuerpo.

2.4 Ejemplo de instalación

La siguiente imagen solo es una representación esquemática, que pretende ofrecer una ilustración de todo el sistema. Preste atención a una disposición ergonómica, así como a las distancias mínimas indicadas para el escáner (rojo).



N.º	Descripción
1	Escritorio
2	Escáner óptico 3D
3	Pantalla del ordenador
4	Teclado
5	Silla de oficina
6	Ratón
7	Ordenador



La fuente de alimentación solo debe conectarse a una toma de corriente con contacto de protección.

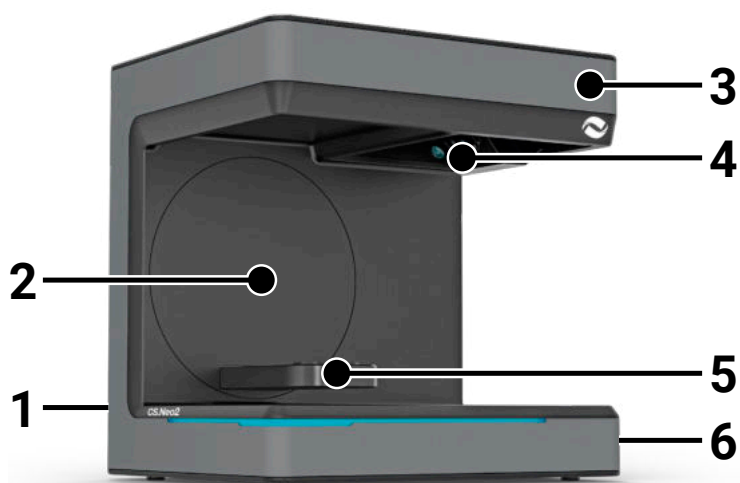


Los cables deben tenderse a lo largo de las paredes

3. Visión general de la unidad y las conexiones

3.1 Componentes del escáner

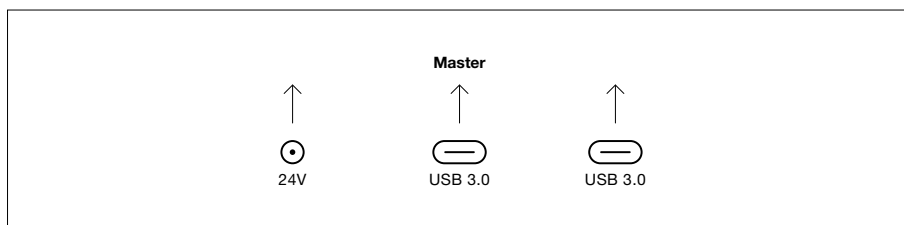
Estos son los componentes más importantes del escáner



N.º	Descripción
1	Regleta de conectores (trasera)
2	Soporte giratorio
3	Carcasa
4	Unidad de escaneado óptico
5	Entrada del modelo (CS.Neo2 Max = dos entradas)
6	Botón de encendido/apagado

3.2 Regleta de conectores del escáner

El panel de conexiones se encuentra en la parte posterior del escáner y presenta la siguiente disposición:




N.º	Descripción
1	Toma de alimentación de 24 V CC
2	Unidad principal del puerto USB C 3.0
3	Unidad esclava del puerto USB C 3.0 (solo con CS.Neo2 Max)



3.3 Fuente de alimentación

Datos técnicos de la fuente de alimentación

	Propiedad Valor	
	Fabricante	MEAN WELL
	Tipo	GST90A 24 – P1M
	Entrada	90 ~ 264 V CA 127 ~ 370 V CC 47 ~ 63 Hz
	Potencia	90 W
	Salida	24 V, 3,75 A



Utilice únicamente el adaptador y el cable de alimentación suministrados. La fuente de alimentación solo puede conectarse a una toma de corriente con contacto de protección.

3.4 Cables USB

Si es posible, utilice el cable suministrado. Si utiliza su propio cable USB, preste atención a las siguientes características. Cable USB C completo de 5 Gbit con apantallamiento con longitud máxima de 1,4 m. Para longitudes superiores a 1,4 m, debe utilizarse una extensión USB activa.



Para escáneres con dos cables USB, asegúrese de que el ancho de banda completo está disponible para cada uno de los dos cables USB. (a menudo los enchufes USB comparten la velocidad)

3.5 Accesorios

Cada escáner se suministra con los accesorios estándar. Se pueden adquirir accesorios adicionales para determinadas funciones.



NOTA Utilice únicamente accesorios originales.
De lo contrario, podrían verse afectadas las provisiones para garantías y los riesgos de responsabilidad por productos defectuosos.



Tenga cuidado con la placa de calibración para no dañar la superficie.

4. Funcionamiento e instalación

Este escáner óptico 3D está diseñado para el campo odontológico, para medir y digitalizar modelos de maxilares en tres dimensiones. Según el principio de «escaneo de luz estructurada», se proyecta un patrón de franjas de luz sobre el objeto a medir. La distorsión del patrón de luz causada por la estructura del modelo se registra a través de cuatro cámaras de alta resolución instaladas en la unidad de escáner, se procesa y, de este modo, se digitaliza en un modelo virtual y tridimensional.

4.1 Instalación del escáner

Tras la instalación, se conecta el escáner con uno o dos cables USB, se conecta la alimentación de 24 V con la fuente de alimentación externa y se enchufa a la red eléctrica.

Si los cables USB son demasiado cortos, pueden alargarse con prolongadores activos especiales. Póngase en contacto con CADstar para obtener los productos adecuados. Es importante asegurarse de que los dos puertos USB del PC no pertenecen al mismo controlador USB/HUB, ya que el escáner requiere todo el ancho de banda de 2 x 5 GBit/s. Por tanto, se debe disponer de un total de 10 GBit/s.



4.2 Instalación del ordenador

El software del escáner requiere al menos Windows 10 o superior. Asegúrese de que todos los controladores están actualizados (tarjeta gráfica, host USB, placa base, etc.). Respete los requisitos mínimos recomendados para la combinación estación de trabajo-PC a fin de garantizar el buen funcionamiento del escáner.



Consulte el manual de usuario del PC.

4.3 Instalación del software

El software de escaneo está preinstalado en las estaciones de trabajo suministradas. Si no es así, puede solicitar el software a su distribuidor o nuestro servicio de atención al cliente puede instalarlo a distancia. Para ello, póngase en contacto con el servicio de atención al cliente de CADstar Technology. Consulte el capítulo «Servicio de atención al cliente».

Tenga en cuenta que debe disponer de una conexión a Internet para obtener la licencia del software. Esto debe hacerse con cada nueva instalación.





Se requieren derechos de administrador para la instalación.



Nuestro equipo de asistencia trabaja con «TeamViewer». Descárguese este programa (www.teamviewer.com). Tras la instalación, tenga a mano su ID y contraseña para que nuestro equipo de asistencia pueda conectarse a su ordenador.

5. Proceso de funcionamiento

Después de iniciar el software, debe realizar la calibración del escáner en el menú Opciones. Para ello, coloque la placa de calibración en el escáner e inicie la calibración.

Inicio  Opciones de software de escaneo > Calibración del escáner  Menú de opciones > Calibración del escáner

Una vez calibrado correctamente, puede crear un nuevo caso. Los siguientes campos son obligatorios y deben ser completados o seleccionados:

- Patient
- Doctor
- Model type
- Scan mode type



Para más detalles, consulte las instrucciones de uso del software.

Una vez en el menú de escaneo, puede escanear un modelo que se encuentre en el escáner.

5.1 Reconocimiento de ID

Cada accesorio tiene su propio reconocimiento de ID, lo que permite al escáner determinar lo que hay en ese momento en su interior y llevar a cabo las funciones correspondientes.



Preste atención a las clavijas doradas vistas (24 V). ¡No las cortocircuite!

5.2 Barra de indicación LED

La barra de LED se utiliza para indicar los distintos estados del software.

- Blanco intermitente > Sin conexión de software
- Rojo > Error
- Arcoíris > Calibración
- Barra de progreso azul > Indicador del progreso del escaneado

5.3 Apagar el escáner



Para apagar el escáner, debe pulsar el botón de encendido/apagado durante al menos un segundo.

6. Preguntas frecuentes relacionadas con la resolución de problemas

El escáner no se enciende:

- Si el escáner no se ilumina al encenderlo, compruebe el suministro eléctrico y si la fuente de alimentación está conectada al escáner.
- Póngase en contacto con nuestro servicio de asistencia

El PC no reconoce el escáner:

- Compruebe que el cable USB es el adecuado y que tiene una longitud máxima de 1,5 m (excepto en el caso de las extensiones de USB activas de la empresa CADstar). Sustituya el cable para comprobar si funciona
- Compruebe si el puerto USB se ajusta a la especificación USB3.0.
- Compruebe el estado del controlador en el administrador de dispositivos para ver si está actualizado.
- Compruebe si los LED de la unidad están encendidos
- Reinicie el PC y el escáner
- Póngase en contacto con nuestro servicio de asistencia

Se aprecian rayas en el resultado del escaneado:

- Preste atención a los cambios de luz durante un escaneo, ya que podrían provocar rayas. Las causas suelen ser cortinas que se mueven durante el escaneo o luz solar que cambia debido a los árboles o reflejos en las ventanas.
- La luz parpadeante que pueden emitir los tubos de neón o la iluminación LED, por ejemplo. A modo de comprobación, puede grabar un vídeo a cámara lenta con su teléfono para comprobarlo. Si ve que la luz parpadea, busque y elimine la causa.

Se pueden apreciar agujeros en el resultado del escaneo:




- Utilice la herramienta «Integrar» en esa zona para cerrar el agujero.
- Si hay manchas oscuras en el objeto a escanear, rocíe el objeto con nuestro spray de escaneado.

7. Trabajos de limpieza y mantenimiento a llevar a cabo por el operario

Para garantizar una larga vida útil del producto y la precisión del escaneado, es necesario limpiar y calibrar periódicamente el dispositivo.



7.1 Limpieza

Antes de las actividades de limpieza, el escáner óptico 3D deberá desconectarse. Para ello, desenchufe el escáner. Utilice únicamente paños secos para la limpieza. El escáner puede aspirarse o soplarse. No obstante, preste atención a los elementos ópticos para que no se desalineen (enfoque de las cámaras). Para evitar daños en los sensores ópticos situados en la parte superior del escáner, estos deberán limpiarse suavemente solo con un paño de microfibra.

	NOTA El sistema de sensores ópticos de la parte superior del escáner es extremadamente sensible.
	¡PELIGRO! Encendido accidental del escáner durante la limpieza.
	Para la limpieza, no utilice agua, vapor ni productos de limpieza.


7.2 Recalibrado

Para garantizar unos resultados de escaneado uniformes, se recomienda calibrar el escáner semanalmente mediante la placa de calibración suministrada. El escáner también debe calibrarse después del transporte o si se cambia de lugar. Encontrará instrucciones para recalibrar su escáner en nuestro manual de software. Inicie el proceso de escaneado con el software y siga paso a paso las instrucciones del mismo. Si algo no está claro, póngase en contacto con nuestro servicio de atención al cliente (ver capítulo «Servicio de atención al cliente»).

	Asegúrese de que los círculos de la placa de cristal no estén dañados, de lo contrario ya no será posible realizar el calibrado.
	No limpie la placa de calibración, ya que tocar los círculos puede afectar a la precisión de la calibración.


7.3 Reparación/resolución de problemas

El escáner óptico 3D contiene componentes sensibles y tecnología de sensores. Por lo que los trabajos de reparación solo pueden ser realizados por el personal de servicio de CADstar Technology.

	En caso de averías que no puedan subsanarse reiniciando el escáner, póngase en contacto con el servicio de atención al cliente (ver capítulo «Servicio de atención al cliente»).
---	--

8. Eliminación

En caso de eliminación, el escáner puede devolverse al distribuidor o al fabricante. Si tiene alguna duda sobre la correcta eliminación, póngase en contacto con nuestro servicio de atención al cliente.

	Tenga en cuenta que el escáner es un dispositivo electrónico destinado exclusivamente al uso en zonas comerciales o industriales. Por lo tanto, no está permitida la eliminación a través de las autoridades públicas de gestión de residuos.
---	--

9. Datos técnicos

Información general

	CS.Neo2	CS.Neo2 Pro	CS.Neo2 Max
Fabricante	CADstar Technology GmbH	CADstar Technology GmbH	CADstar Technology GmbH
Aprobación	2023	2023	2023
Peso	11,40 kg	11,50 kg	12,60 kg
Dimensiones (an. x al. x prof.)	396 x 405 x 337 mm	396 x 405 x 337 mm	396 x 405 x 337 mm

Entorno

	CS.Neo2	CS.Neo2 Pro	CS.Neo2 Max
Temperatura de trabajo	18 °C a 35 °C	18 °C a 35 °C	18 °C a 35 °C
Temperatura de almacenamiento	-15 °C a 50 °C	-15 °C a 50 °C	-15 °C a 50 °C
Altitud	0 a 3000 m	0 a 3000 m	0 a 3000 m
Grado de suciedad	2	2	2

Eléctrico

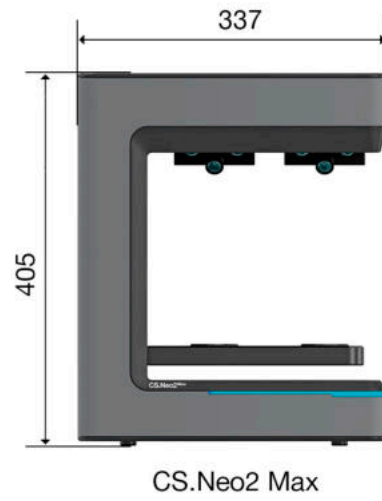
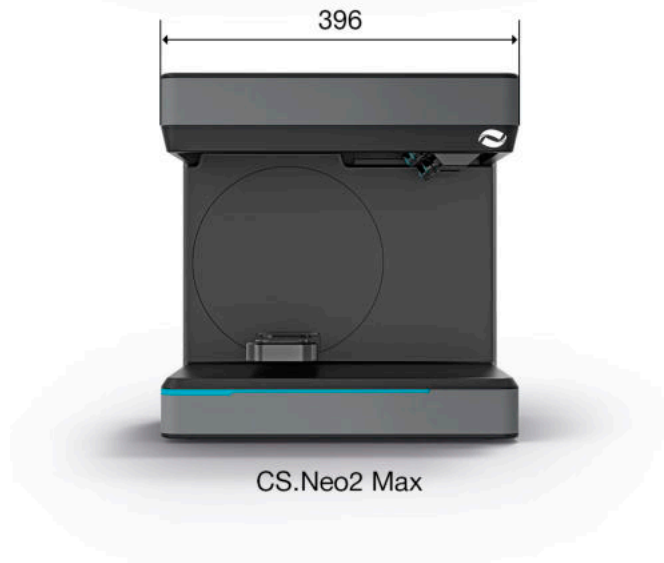
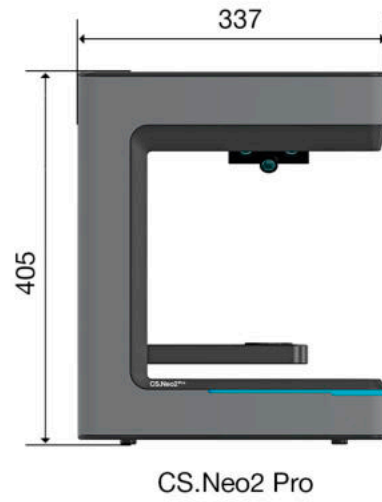
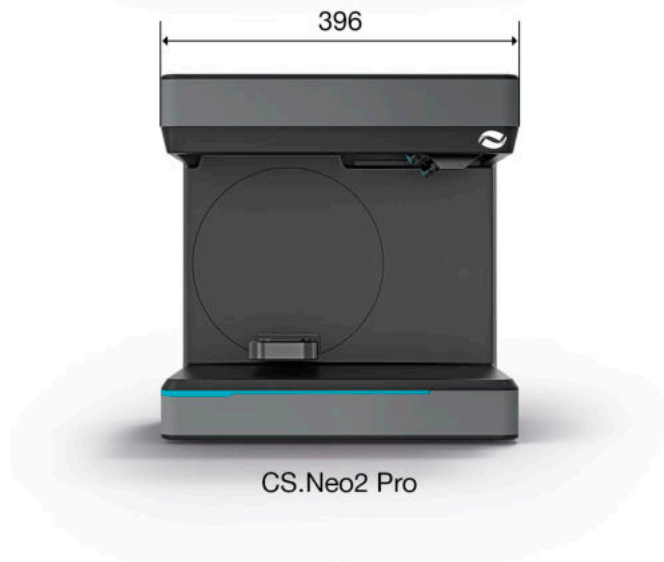
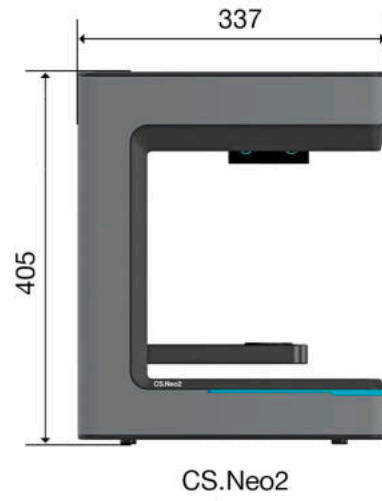
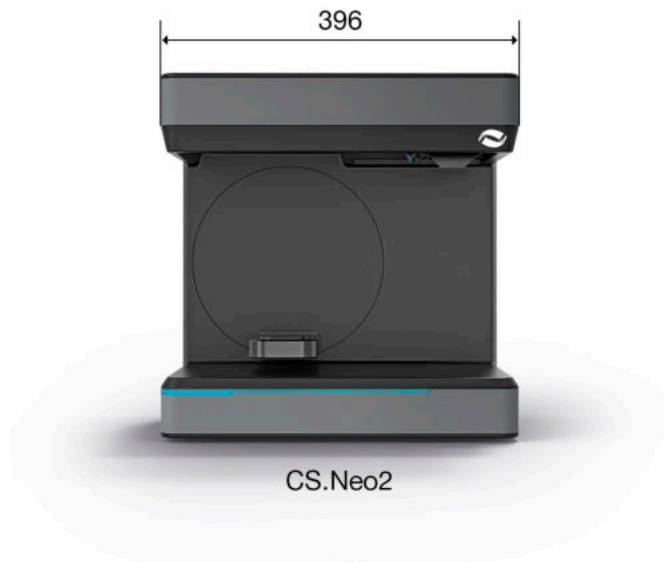
	CS.Neo2	CS.Neo2 Pro	CS.Neo2 Max
Tensión de red	90 - 264 V CA	90 - 264 V CA	90 - 264 V CA
Frecuencia de red	47 - 63 Hz	47 - 63 Hz	47 - 63 Hz
Salida de la fuente de alimentación	90 Wh	90 Wh	90 Wh
Tensión del escáner	24 V CC +10 %	24 V CC +10 %	24 V CC +10 %
Consumo de energía	35 Wh	35 Wh	45 Wh
Consumo de energía en espera	1 Wh	1 Wh	1 Wh
Cámara	2x 6 Mpx	4x 6 Mpx	2x 4x 6 Mpx
Tipo de conexión USB	USB 3.0 tipo C (5 Gbit/s)	USB 3.0 tipo C (5 Gbit/s)	USB 3.0 tipo C (5 Gbit/s)
Número de conexiones USB	1	1	2

Escáner

	CS.Neo2	CS.Neo2 Pro	CS.Neo2 Max
Espacio de medición (an. x al. x prof.)	100 x 100 x 100 mm	100 x 100 x 100 mm	2x 100 x 100 x 100 mm
Tamaño máximo del objeto	200 x 200 x 150 mm	200 x 200 x 150 mm	300 x 200 x 150 mm
Peso máximo del objeto	2 kg	2 kg	2 kg
Precisión absoluta	<5 µ	<5 µ	<5 µ
Precisión de repetición	<2 µ	<2 µ	<2 µ
Formato de salida	STL, PLY	STL, PLY	STL, PLY



9.1 Bocetos y espaciado de los productos





10. Declaración de conformidad

(Declaración de conformidad CE original)

Fabricante: CADstar Technology GmbH Grasslau 30 5500 Bischofshofen	Firmante autorizado: Georg Dick (director general)
Producto: Escáner óptico 3D CS.Neo2, CS.Neo2 Pro, CS.Neo2 Max	Aclaración: CADstar Technology GmbH confirma por la presente que el producto aquí mostrado cumple los requisitos básicos de CEM 2014/30/EU, los requisitos de baja tensión 2014/35/EU y la normativa sobre restricciones a la utilización de determinadas sustancias peligrosas en aparatos eléctricos y electrónicos según la directiva RoHS 2011/65/EU.
Normas aplicables:	
Requisitos de seguridad	DIN EN IEC62368-1: 2022-09
CEM	DIN EN 55032:2022-08 DIN EN IEC 61000 3-2:2019-12 DIN EN IEC 61000-3-3:2020-07 DIN EN IEC 61000-4-2: 2009-12 DIN EN IEC 61000 4-3:2021-11 DIN EN IEC 61000-4-4:2013-04 DIN EN IEC 61000-4-5:2019-03 DIN EN IEC 61000-4-6:2014-08 DIN EN IEC 61000-4-8:2010-11 DIN EN IEC 61000-4-11:2021-10
RoHS	EN IEC 63000:2018; Directiva de la UE 2011/65/UE:2023
	
Bischofshofen, enero 2023	Georg Dick
(Lugar y fecha de la declaración)	(Nombre y firma del signatario autorizado)

Table des matières

1. Sécurité et généralités.....	2
1.1 Symboles et moyens de représentation.....	2
1.2 Marquage.....	3
1.3 Service après-vente.....	3
1.4 Consignes de sécurité relatives aux différentes phases de fonctionnement.....	3
1.5 Utilisation conforme à la destination.....	4
1.6 Abus potentiel.....	4
1.7 Environnement conforme.....	4
1.8 Obligations de l'exploitant.....	4
1.9 Qualification du personnel.....	5
1.10 Obligations du personnel.....	5
1.11 Équipement de protection individuelle.....	5
2. Transport et installation.....	5
2.1 Déballer et installer l'appareil.....	6
2.2 Choisir un emplacement.....	6
2.3 Points de portage.....	7
2.4 Exemple d'installation.....	7
3. Aperçu de l'appareil et connexions.....	8
3.1 Composants du scanner.....	8
3.2 Panneau de connexion du scanner.....	8
3.3 Bloc d'alimentation.....	9
3.4 Câbles USB.....	9
3.5 Accessoires.....	9
4. Fonctionnement et installation.....	9
4.1 Installation du scanner.....	9
4.2 Installation de l'ordinateur.....	10
4.3 Installation du logiciel.....	10
5. Opération.....	10
5.1 Reconnaissance de l'ID.....	11
5.2 Barre d'indication LED.....	11
5.3 Éteindre le scanner.....	11
6. FAQ sur le dépannage.....	11
7. Travaux de nettoyage et d'entretien pour l'exploitant.....	11
7.1 Nettoyage.....	12
7.2 Réétalonnage.....	12
7.3 Réparation / dépannage.....	12
8. Élimination.....	12
9. données techniques.....	13
9.1 Schémas de produits & distances.....	14

1. Sécurité et généralités

Ce mode d'emploi a été conçu conformément aux dispositions de l'UE en vigueur et contient des consignes de sécurité. Les individus sont eux-mêmes responsables du respect des consignes de sécurité. Ce chapitre contient une introduction générale aux consignes de sécurité. Vous y trouverez également des informations importantes sur la prévention des accidents.

Avec ce scanner optique 3D (ci-après dénommé scanner), vous disposez d'un produit à la pointe de la technologie en matière de sécurité pour l'opérateur et de sécurité de fonctionnement. Le scanner peut néanmoins présenter des risques s'il est utilisé par un personnel insuffisamment formé, de manière incorrecte ou de manière non conforme à l'usage prévu. Nous attirons explicitement l'attention sur les dangers potentiels dans le chapitre « Sécurité et généralités », mais aussi dans l'ensemble du mode d'emploi.

Ce mode d'emploi contient les informations pertinentes pour le montage, la mise en service, le fonctionnement, la maintenance et l'élimination du scanner.

Le présent mode d'emploi a pour but de permettre à l'utilisateur de travailler sans risque avec le scanner.

Le respect des consignes figurant dans ce document permet d'éviter les risques et d'éviter d'endommager le scanner.

Toutes les personnes qui travaillent sur et avec le scanner doivent avoir lu le mode d'emploi lors de leurs travaux et respecter les indications et consignes qui les concernent. Ce mode d'emploi doit toujours être complet et parfaitement lisible.

CADstar Technology n'est pas responsable des défauts d'impression de ce mode d'emploi. De même, aucune responsabilité n'est assurée pour les dommages directement ou indirectement imputables à la livraison. Même en apportant un soin maximal à la conception et à la construction du scanner et en tenant compte de tous les aspects relatifs à la sécurité, il peut subsister des dangers résiduels qui ont été évalués au moyen d'une évaluation des risques. Ce chapitre répertorie tous les risques résiduels et les avertissements issus de l'évaluation des risques.




Les informations contenues dans ce document peuvent être modifiées sans préavis. Lors de la rédaction de ce document, tous les efforts possibles ont été faits pour garantir l'exactitude de son contenu. Toute déclaration, information ou recommandation contenue dans le présent document ne constitue pas une promesse de caractéristiques de quelque nature que ce soit, qu'elle soit expresse ou implicite.

1.1 Symboles et moyens de représentation

1.1.1 Avertissements et informations complémentaires

Avertissements

Les sections de ce document portant les mentions « REMARQUE », « ATTENTION » et « DANGER » n'incluent pas toutes les instructions de sécurité à suivre. Elles ne sont que des compléments aux consignes générales de sécurité. CADstar décline toute responsabilité pour toute conséquence causée par la violation des exigences générales de sécurité ou des normes de conception, de production et de sécurité d'utilisation. Selon la gravité et la probabilité du danger, on distingue les niveaux d'alerte suivants :


Symbole d'avertissement	Description
 DANGER	Indique un danger élevé qui, s'il n'est pas évité, entraînera la mort ou des blessures graves.
 ATTENTION	Indique un danger faible qui peut entraîner des blessures légères s'il n'est pas évité.
 REMARQUE	Une REMARQUE est utilisée pour expliquer des pratiques qui ne sont pas liées à des dommages corporels ou pour améliorer les procédures de travail avec le produit.

1.1.2 Autocollant de sécurité sur le scanner

Des consignes de sécurité sont apposées sur le scanner pour attirer l'attention sur d'éventuels dangers résiduels/dangers.

Les instructions de la signalisation de sécurité sur le scanner doivent être respectées en toutes circonstances. Si, au cours de la durée de vie du scanner, les marquages de sécurité s'effacent ou sont endommagés, ils doivent être immédiatement remplacés par de nouveaux panneaux. La lisibilité et l'intégralité doivent être contrôlées à intervalles réguliers. Dès lors que les panneaux ne sont pas immédiatement reconnaissables ou compréhensibles au premier coup d'œil, le scanner optique 3D doit être mis hors service jusqu'à la mise en place des nouveaux panneaux.

Les pictogrammes d'avertissement, d'interdiction et d'obligation sur le scanner et leur signification :

Symbole	Signification
	Danger d'écrasement Ce pictogramme se trouve dans la zone du bras pivotant et avertit d'un éventuel danger d'écrasement entre le scanner et le bras pivotant.

1.2 Marquage

Le scanner est clairement identifié par le contenu de sa plaque signalétique. Marquage CE selon :

- Directive CEM 2014/30/UE
- Directive basse tension 2014/35/CE
- Directive RoHS 2011/65/UE

1.3 Service après-vente

En cas de problèmes techniques, adressez-vous à votre service après-vente. Ou directement à CADstar Technology. Lien : www.cadstar.dental

Siège social de CADstar Technology, Grasslau 30, 5500 Bischofshofen, Autriche

1.4 Consignes de sécurité relatives aux différentes phases de fonctionnement

1.4.1 Transport et installation

- Le scanner ne doit être transporté que correctement emballé et sécurisé.
- Lorsque vous manipulez le scanner, faites attention à une éventuelle déformation du scanner. Surtout lors du stationnement après un transport.
- Le scanner est destiné à être installé à une hauteur ergonomique. (Respectez les dispositions relatives à la protection des travailleurs dans votre pays).
- Lors de la pose des câbles, faites attention au risque de trébuchement. Posez toujours les câbles contre les murs. Les câbles ne doivent en aucun cas être tendus ou posés de manière lâche.
- L'emplacement du scanner doit être choisi de manière à ce qu'il n'y ait pas de vibrations pendant le fonctionnement du scanner, c'est-à-dire que la capacité de charge du support choisi (établi, table, etc.) doit être au moins égale au double de la valeur indiquée dans les spécifications techniques et doit absorber toutes les vibrations.
- La lumière ambiante doit être prise en compte en ce qui concerne le lieu d'installation. Il ne doit pas y avoir de changement de la lumière ambiante pendant le fonctionnement du scanner, comme cela pourrait être le cas avec l'ombre d'un arbre ou d'un store. Il convient également d'éviter les néons ou la lumière directe du soleil.
- Le scanner ne doit pas être utilisé dans des locaux humides.
- Aucun liquide ne doit entrer en contact avec le scanner. Ne placez pas de récipients contenant des liquides près du scanner.

1.4.2 Installation et utilisation

- Le personnel de service et d'entretien doit être régulièrement instruit sur le fonctionnement et les risques liés à l'installation. La lecture du mode d'emploi est obligatoire.
- Avant chaque mise en service, assurez-vous qu'aucune pièce ne se trouve dans la zone de pivotement du bras, car celui-ci effectue une course de référence lors de la mise en marche.
- Tenez les enfants éloignés du scanner. Seul le personnel formé peut travailler avec le scanner.
- Le scanner optique 3D ne doit être utilisé que s'il est propre et en parfait état de fonctionnement.
- Les câbles d'alimentation électrique ainsi que les câbles d'alimentation ne doivent pas être endommagés ou écrasés par d'autres objets.
- Les pannes ou les dommages doivent être signalés immédiatement à l'exploitant.
- Il est interdit d'enlever, de modifier, de ponter ou de contourner tout dispositif de protection, de sécurité ou de surveillance.
- Lors de la manipulation des inserts du scanner, faites attention à un éventuel risque d'écrasement.
- Si le scanner n'est pas utilisé pendant une longue période, débranchez-le du réseau électrique.
- Aucun objet ou outil ne doit être déposé sur le scanner.
- Dans la zone du scanner, il faut veiller à la propreté et à la pureté. Tous les objets et emballages non nécessaires au déroulement du travail doivent être retirés de la zone du scanner.
- Il est interdit de monter sur le scanner, ainsi que de s'asseoir ou de se tenir debout sur le scanner.



Pendant la mise en marche, le bras pivotant se déplace. Il ne faut pas mettre la main dans la zone de danger car cela peut provoquer des blessures aux doigts.



Pendant la numérisation, le bras pivotant se déplace. Il ne faut pas mettre la main dans la zone de danger car cela peut provoquer des blessures aux doigts.

1.4.3 Entretien, modifications et réparations inappropriés

Le montage ultérieur de dispositifs supplémentaires d'autres fabricants est interdit, tout comme la modification de dispositifs de protection sans accord préalable de CADstar Technology ou du fabricant du dispositif supplémentaire concerné.

- Les réparations du scanner ne peuvent être effectuées que par le service après-vente de CADstar Technology.

1.5 Utilisation conforme à la destination

L'utilisation conforme du scanner consiste en le mesurage optique tridimensionnel de structures humaines dupliquées en combinaison avec le logiciel fourni.

Seuls les empreintes et les modèles en plâtre de la mâchoire ainsi que les articulateurs avec modèles en plâtre peuvent être insérés (max. 1500 g) Dimensions L x L x H : 200 mm x 200 mm x 150 mm. Seuls les accessoires recommandés par CADstar Technology doivent être utilisés. Le scanner est destiné à être utilisé dans des laboratoires dentaires.

Toute autre utilisation nécessite l'accord écrit de CADstar Technology. Une utilisation non conforme à la destination peut mettre en danger les personnes et endommager le scanner. Le produit n'est pas un appareil qui fonctionne de manière autonome, il doit être équipé manuellement. En outre, les droits de responsabilité et de garantie sont exclus en cas de non-respect de l'utilisation conforme à la destination.

1.6 Abus potentiel

Les informations contenues dans cette documentation décrivent les caractéristiques du produit sans les garantir. Aucune responsabilité ni garantie n'est assumée pour les dommages causés par :

- Utilisation non conforme du scanner.
- Non-respect du mode d'emploi.
- Modifications arbitraires du scanner.
- Travaux non conformes sur et avec le scanner.
- Réparations effectuées de manière non conforme.
- Modification arbitraire et inappropriée des paramètres de fonctionnement.
- Catastrophes, influence de corps étrangers et force majeure.

1.7 Environnement conforme

Les limites d'utilisation du scanner sont limitées comme suit :

- À utiliser uniquement à l'intérieur
- Température ambiante : 5 °C à 35 °C
- Humidité relative : jusqu'à 31 °C 20 % - 80 % à des températures jusqu'à 35°C maximum 20-50% décroissant linéairement - ne convient pas pour les locaux humides, sans condensation
- Pas de lumière clignotante (par ex. tube fluorescent ; stores en mouvement ; ombre d'arbres dans le vent)
- Luminosité ambiante maximale 500lux. Pas d'exposition directe au soleil dans la zone de numérisation
- Environnement propre et sans poussière
- Installation horizontale sur un poste de travail stable et absorbant les vibrations
- Altitude maximale d'installation <3000m au-dessus du niveau de la mer

1.8 Obligations de l'exploitant

La responsabilité de l'utilisation sûre du scanner incombe à l'exploitant.

- Assurez-vous que seules des personnes formées, instruites ou qualifiées travaillent avec le scanner.
- Veillez à ce que toute personne qui utilise le scanner pour la première fois ait lu et compris ce mode d'emploi.
- Attirez particulièrement l'attention sur le respect des consignes de sécurité figurant dans ce mode d'emploi et sur le scanner.
- Conservez le mode d'emploi dans la zone du scanner et remettez-le au nouveau personnel.
- Veillez à ce que personne sans compétences ne travaille sur le scanner.
- Le personnel de service doit être instruit à intervalles réguliers sur la manière de travailler en toute sécurité avec le scanner.
- Respectez les dispositions nationales en matière de protection des travailleuses.
- Lorsque des travaux de service, de maintenance ou de nettoyage sont effectués sur le scanner, celui-ci doit être débranché du réseau électrique.
- les réparations ne peuvent être effectuées que par un service de maintenance certifié
- Veillez à ce que les indications apposées à la livraison du scanner restent bien lisibles. Les panneaux d'avertissement manquants ou endommagés doivent être remplacés immédiatement.

1.9 Qualification du personnel

Ce mode d'emploi s'adresse au personnel de service et de maintenance du scanner. Le personnel de service et d'entretien doit être désigné par l'exploitant et doit remplir les conditions suivantes :

Personnel de maintenance :

- Connaissances techniques de base
- La lecture et la compréhension de ce manuel d'utilisation et d'entretien sont indispensables.
- La personne doit être suffisamment forte pour soulever l'appareil et le déposer à son emplacement définitif.
- L'inspection et le nettoyage ne doivent être effectués que par du personnel technique spécialisé ayant reçu une formation spécifique au produit ou sous la direction du service après-vente

Personnel de service :

- Formation au produit
- Formation régulière à la sécurité

1.10 Obligations du personnel

- Les consignes de sécurité et les instructions de fonctionnement contenues dans ce mode d'emploi doivent être respectées à tout moment.
- L'utilisation de ce scanner doit être confiée exclusivement à du personnel dûment qualifié. Ce personnel doit être familiarisé avec toutes les consignes de sécurité et les mesures correspondantes contenues dans ce mode d'emploi et sur le scanner pour l'utilisation, l'entretien et le nettoyage.
- Avant de procéder à des travaux de nettoyage, d'entretien ou de réparation, le scanner optique doit être mis hors tension.

1.11 Équipement de protection individuelle

Le scanner 3D est conçu de manière à ce que les personnes travaillant sur le scanner n'aient besoin d'aucun équipement de protection supplémentaire par rapport au standard exigé par l'exploitant (par ex. vêtements de travail, chaussures de travail, etc.).

- Les personnes qui effectuent des travaux de nettoyage et d'entretien doivent respecter les mesures prescrites pour les produits de nettoyage correspondants (par ex. gants pour les produits de nettoyage ; protection contre les projections, etc.)

2. Transport et installation



Vérifiez d'abord que l'emballage n'est pas endommagé. Si ce n'est pas le cas, documentez les dommages et contactez votre vendeur. Lors du transport, veillez à respecter les avertissements figurant sur l'emballage. L'appareil doit être transporté ou stocké bien protégé, au sec et en position verticale dans un emballage.

En cas de stockage prolongé, l'appareil doit être placé dans un endroit sec, dans son emballage d'origine. Il faut veiller à ce que les dispositions de stockage soient respectées, comme indiqué dans la spécification.

**REMARQUE !**

Ne transportez le scanner que dans son emballage d'origine afin d'éviter tout dommage à l'appareil

2.1 Déballez et installez l'appareil

Tout d'abord, ouvrez le carton sur le dessus et retirez le couvercle supérieur en mousse contenant les accessoires spéciaux. Ensuite, vous pouvez prendre le scanner par les deux orifices et le sortir du carton. Maintenant, la fixation pour le bras peut être retirée, à l'intérieur de la fixation se trouvent les accessoires standard.



Conservez l'emballage pour de futurs transports (déménagement, service, ...).



Éliminez les déchets produits dans le respect de l'environnement.

2.2 Choisir un emplacement

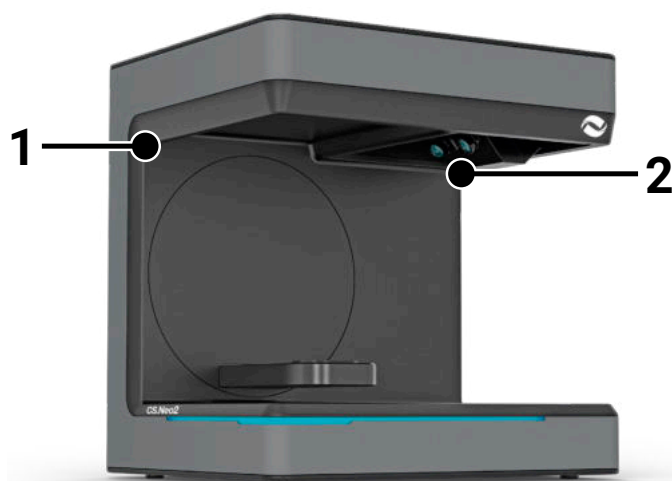
Étant donné que l'environnement du scanner a une influence déterminante sur le produit, il convient d'être prudent lors du choix de l'emplacement et de tenir compte des points suivants :

- Évitez les conditions d'éclairage qui changent rapidement, comme les ombres en mouvement, les éclairages de bureau qui scintillent (lampes fluorescentes, LED...).
- N'exposez jamais le scanner à la lumière directe du soleil.
- Évitez la proximité directe de sources de chaleur (par exemple, radiateurs, autres appareils électriques, cheminées, etc.)
- Il convient de s'assurer que le lieu d'installation est plat et exempt de vibrations.
- Il convient de s'assurer que le lieu d'installation n'est pas exceptionnellement exposé à la poussière, à des poisons ou à des gaz corrosifs.
- Choisissez un lieu de montage ou d'installation où des liquides ou des objets ne peuvent en aucun cas pénétrer dans le scanner (par ex. eau de condensation, fuites de toit, eau d'arrosage, etc.)
- Il faut s'assurer que la fiche d'alimentation du bloc d'alimentation est toujours accessible.
- Le scanner ne doit être utilisé qu'à l'intérieur.



Info ! Une forte lumière étrangère ou le rayonnement solaire peuvent influencer le résultat de la numérisation.
Cela peut entraîner une mauvaise qualité de numérisation ou des variations indésirables du résultat de mesure.

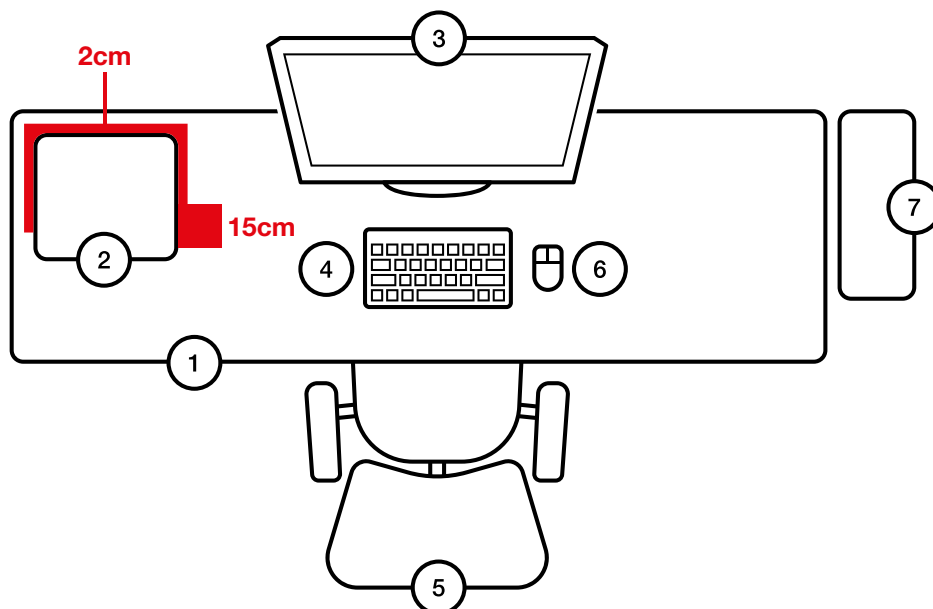
2.3 Points de portage



Pour porter le scanner, les deux points de portage (1) et (2) sont prévus. Tenez le scanner à ces deux points avec la main gauche et la main droite. Le scanner pèse entre 11 et 13 kg et peut être porté par une seule personne. Le côté ouvert du scanner doit alors être orienté à l'opposé du corps.

2.4 Exemple d'installation

La figure suivante n'est qu'une représentation schématique destinée à illustrer l'ensemble du système. Veillez à ce que la disposition soit ergonomique et à respecter les distances minimales indiquées du scanner (en rouge).



N°	Description
1	Bureau
2	Scanner optique 3D
3	Écran d'ordinateur
4	Clavier
5	Fauteuil de bureau
6	Souris
7	Ordinateur



Le bloc d'alimentation ne doit être branché que sur une prise de courant avec prise de terre

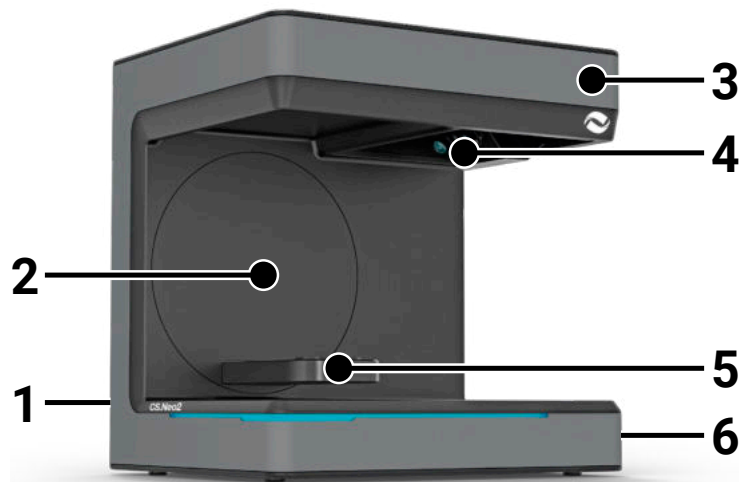


Les câbles doivent être posés le long des murs

3. Aperçu de l'appareil et connexions

3.1 Composants du scanner

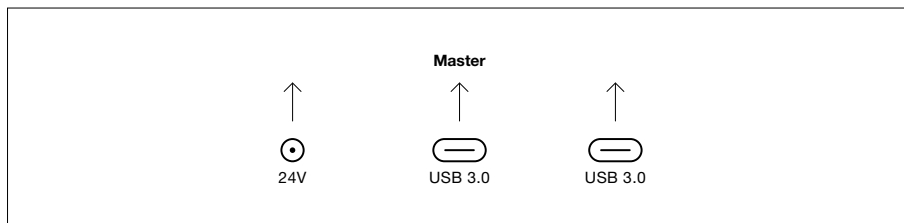
Voici les principaux composants dans le scanner



N°	Description
1	Panneau de connexion (arrière)
2	Console pivotante
3	Boîtier
4	Unité de numérisation optique
5	Enregistrement du modèle (CS.Neo2 Max = deux enregistrements)
6	Bouton marche/arrêt

3.2 Panneau de connexion du scanner


Le panneau de connexion se trouve à l'arrière du scanner et se présente comme suit :



N°	Description
1	Prise d'alimentation électrique 24V DC
2	Unité maître port USB-C 3.0
3	Unité esclave port USB-C 3.0 (uniquement pour CS.Neo2 Max)

3.3 Bloc d'alimentation

Caractéristiques techniques du bloc d'alimentation

	Propriété	Valeur
	Fabricant	MEAN WELL
Type	GST90A 24 – P1M	
Input	90 ~ 264VAC	
	127 ~ 370VDC	
	47 ~ 63Hz	
Power	90W	
Output	24 V, 3,75 A	



N'utilisez que le bloc d'alimentation et le câble d'alimentation fournis. Le bloc d'alimentation ne doit être branché que sur une prise de courant avec prise de terre.

3.4 Câbles USB

Utilisez si possible le câble fourni. Si vous utilisez votre propre câble USB, veillez aux caractéristiques suivantes. Câble USB-C 5Gbit complet avec blindage 1,4m maximum. Pour les rallonges supérieures à 1,4m, il faut utiliser une rallonge USB active.



Pour les scanners avec deux câbles USB, il faut veiller à ce que la bande passante complète soit disponible pour chacun des deux câbles USB. (souvent les connecteurs USB se partagent la vitesse)

3.5 Accessoires

Chaque scanner est livré avec les accessoires standard. Il est possible d'acheter d'autres accessoires pour certaines fonctions.



REMARQUE ! Utilisez uniquement des accessoires d'origine.

Dans le cas contraire, les dispositions de garantie et les risques de responsabilité du fait des produits pourraient être influencés.



Faites attention à la plaque de calibrage pour ne pas endommager la surface.

4. Fonctionnement et installation

Ce scanner optique 3D est conçu pour le secteur dentaire afin de mesurer et de numériser des modèles de mâchoires en trois dimensions. Basé sur le principe du « scanning à faisceau », un modèle de faisceau est projeté par un projecteur sur un objet à mesurer. La déformation du motif lumineux provoquée par la structure du modèle est enregistrée par quatre caméras haute résolution installées dans l'unité de scanner, traitée et ainsi numérisée en un modèle virtuel et tridimensionnel.

4.1 Installation du scanner

Après l'installation, le scanner est connecté à un ou deux câbles USB, puis l'alimentation 24V est établie avec le bloc d'alimentation externe et le bloc d'alimentation est branché.

Si les câbles USB sont trop courts, ils peuvent être rallongés à l'aide de rallonges actives spéciales. Contactez CADstar pour les produits correspondants. Important pour les appareils avec deux connexions USB, il faut s'assurer que les deux ports USB du PC n'appartiennent pas au même contrôleur / hub USB car le scanner a besoin de la bande passante complète de 2x 5 GBit/s. Ainsi, un total de 10 GBit/s doit être disponible.

4.2 Installation de l'ordinateur

Le logiciel du scanner nécessite au moins Windows 10 ou une version plus récente. Assurez-vous que tous les pilotes sont à jour (carte graphique, hôte USB, carte mère, etc...). Respectez la configuration minimale recommandée pour la station de travail du PC afin de garantir le bon fonctionnement du scanner.



Consultez le manuel d'utilisation de l'ordinateur.

4.3 Installation du logiciel

Le logiciel de numérisation est préinstallé sur les stations de travail fournies. Si ce n'est pas le cas, le logiciel peut être obtenu auprès de votre revendeur ou installé par télémaintenance par notre service après-vente. Pour ce faire, contactez le service après-vente de CADstar Technology. Voir le chapitre « Service après-vente »,

Veillez à ce qu'une connexion Internet soit disponible pour l'attribution de la licence du logiciel. Ceci doit être fait à chaque nouvelle installation.



Les droits d'administrateur sont nécessaires pour l'installation.



Notre support travaille avec « TeamViewer ». Veuillez télécharger ce logiciel (www.teamviewer.com). Après l'installation, veuillez préparer votre ID et votre mot de passe afin que notre support puisse se connecter à votre ordinateur.

5. Opération

Après avoir démarré le logiciel, vous devez exécuter l'étalonnage du scanner dans le menu Options. Pour ce faire, placez la plaque d'étalonnage dans le scanner et lancez l'étalonnage.

Accueil



Options du logiciel de numérisation > Étalonnage du scanner OU Menu



Options > Étalonnage du scanner

Une fois l'étalonnage réussi, vous pouvez créer un nouveau cas. Les champs suivants sont obligatoires et doivent être remplis ou sélectionnés :

- Patient
- Doctor
- Model type
- Scan mode type



Pour plus de détails, veuillez consulter le mode d'emploi du logiciel.

Une fois que vous êtes dans le menu de numérisation, vous pouvez numériser un modèle qui se trouve dans le scanner.

5.1 Reconnaissance de l'ID

Chaque accessoire possède son propre ID qui permet au scanner de déterminer ce qui se trouve actuellement dans le scanner et d'exécuter ainsi les fonctions correspondantes.



Attention aux broches dorées exposées (24V). Ne les court-circuitiez pas !

5.2 Barre d'indication LED

La barre LED est utilisée pour indiquer les états dans le logiciel.

- Blanc pulsé > Pas de connexion logicielle
- Rouge > erreur
- Arc-en-ciel > Étalonnage
- Barre de progression bleue > Affichage de la progression de la numérisation

5.3 Éteindre le scanner



Pour éteindre le scanner, il faut appuyer sur le bouton marche/arrêt pendant au moins 1 seconde.

6. FAQ sur le dépannage

Le scanner ne démarre pas:

- Si le scanner ne s'allume pas au démarrage, contrôlez l'alimentation électrique et si le bloc d'alimentation est raccordé au scanner.
- Contactez notre support

Le scanner n'est pas reconnu par le PC

- Veillez à utiliser des câbles USB de bonne qualité et d'une longueur maximale de 1,5 m (sauf si vous utilisez des rallonges USB actives de la société CADstar). Remplacez le câble pour un test
- Vérifiez que le port USB est conforme à la spécification USB3.0
- Contrôlez l'état des pilotes dans le gestionnaire de périphériques pour voir s'ils sont à jour
- Contrôlez si les LED de l'appareil sont allumées
- Redémarrez le PC et le scanner
- Contactez notre support

Des rayures sont visibles sur le résultat de la numérisation:

- Faites attention aux changements de lumière pendant une numérisation, ceci peut entraîner des bandes. Les causes sont souvent des stores qui bougent pendant la numérisation ou la lumière du soleil qui change à cause des arbres ou des reflets sur les fenêtres.
- Lumière clignotante que peuvent par exemple émettre les néons ou les éclairages LED. Pour vérifier, vous pouvez enregistrer une vidéo au ralenti avec votre smartphone. Si une lumière clignotante est visible, recherchez et éliminez le responsable.

Des trous sont visibles sur le résultat de la numérisation:

- Pour cette zone, utilisez l'outil « Intégrer » pour combler le trou.
- Si des points sombres se trouvent sur l'objet à scanner, vaporisez l'objet avec notre spray de numérisation.

7. Travaux de nettoyage et d'entretien pour l'exploitant

Pour garantir une longue durée de vie du produit et la précision des numérisations, il est nécessaire de nettoyer et d'étalonner l'appareil régulièrement.

7.1 Nettoyage

Avant toute activité de nettoyage, le scanner optique 3D doit être mis hors service. Pour ce faire, débranchez le scanner. N'utilisez que des chiffons secs pour le nettoyage. Il est possible de souffler sur le scanner ou de le nettoyer avec un aspirateur. Attention toutefois aux éléments optiques afin que ceux-ci ne soient pas déréglés (focus des caméras). Afin d'éviter d'endommager les capteurs optiques situés dans la partie supérieure du scanner, ceux-ci ne doivent être dépoussiérés que délicatement à l'aide d'un chiffon en microfibres.



REMARQUE !

Le capteur optique situé dans la partie supérieure du scanner est extrêmement sensible.



DANGER !

Mise en marche accidentelle du scanner pendant le nettoyage .



N'utilisez pas d'eau, de vapeur ou de produits de nettoyage pour les travaux de nettoyage.

7.2 Réétalonnage

Pour garantir un résultat de numérisation constant, il est recommandé d'effectuer un étalonnage hebdomadaire à l'aide de la plaque d'étalonnage fournie. Il est également recommandé d'étalonner le scanner après son transport ou lorsqu'il est déplacé. Vous trouverez des instructions sur le réétalonnage de votre scanner dans notre manuel du logiciel. Démarrez le processus de numérisation à l'aide du logiciel et procédez étape par étape en suivant les instructions du logiciel. En cas de doute, contactez notre service après-vente (voir le chapitre « Service après-vente »).



Veillez à ne pas endommager les cercles sur la plaque de verre, sinon l'étalonnage ne sera plus possible.



Ne pas nettoyer la plaque d'étalonnage, car le fait de toucher les cercles peut nuire à la précision de l'étalonnage.

7.3 Réparation / dépannage

Le scanner optique 3D contient des composants sensibles et des capteurs. Les travaux de réparation ne doivent donc être effectués que par le personnel de service de CADstar Technology.



En cas de dysfonctionnements qui ne peuvent pas être résolus par un redémarrage du scanner, il convient de contacter le service après-vente (voir chapitre « Service après-vente »).

8. Élimination

En cas de mise au rebut, le scanner peut être retourné au revendeur ou au fabricant. Pour toute question concernant l'élimination correcte, veuillez vous adresser à notre service après-vente.



Veillez noter que le scanner est un appareil électronique destiné exclusivement à un usage commercial ou industriel.

L'élimination par des organismes d'élimination de droit public n'est donc pas autorisée.

9 .données techniques

Général

	CS.Neo2	CS.Neo2 Pro	CS.Neo2 Max
Fabricant	CADstar Technology GmbH	CADstar Technology GmbH	CADstar Technology GmbH
Autorisation	2023	2023	2023
Poids	11,40 kg	11,50 kg	12,60 kg
Dimensions (l x h x p)	396 x 405 x 337 mm	396 x 405 x 337 mm	396 x 405 x 337 mm

Environnement

	CS.Neo2	CS.Neo2 Pro	CS.Neo2 Max
Plage de température de travail	18 °C à 35 °C	18 °C à 35 °C	18 °C à 35 °C
Plage de température de stockage	-15 °C à 50 °C	-15 °C à 50 °C	-15 °C à 50 °C
Hauteur max.	0 à 3000 m	0 à 3000 m	0 à 3000 m
Niveau de saleté	2	2	2

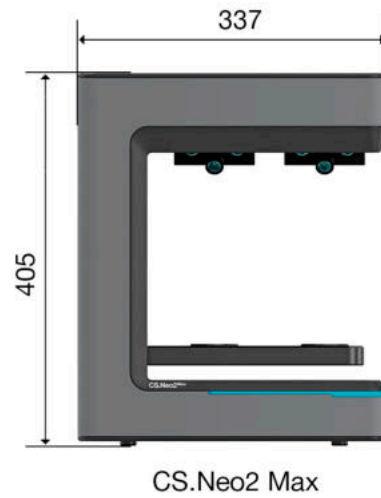
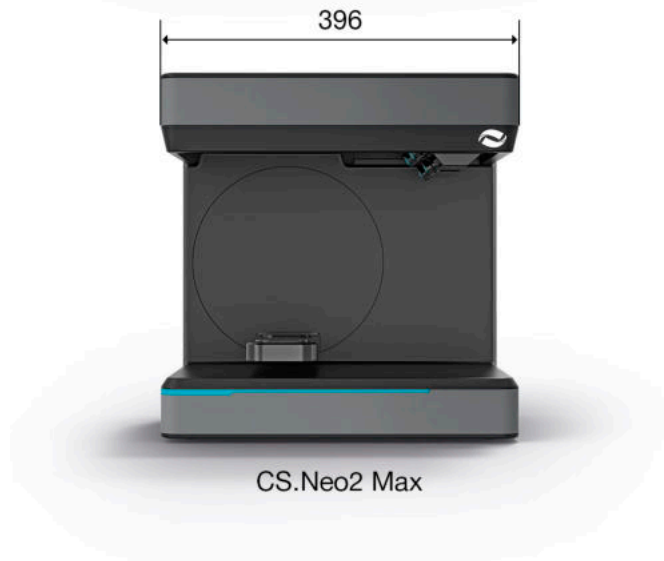
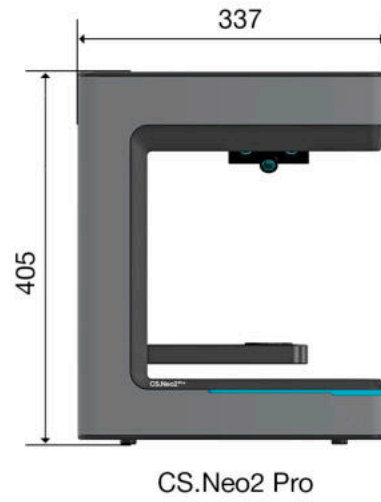
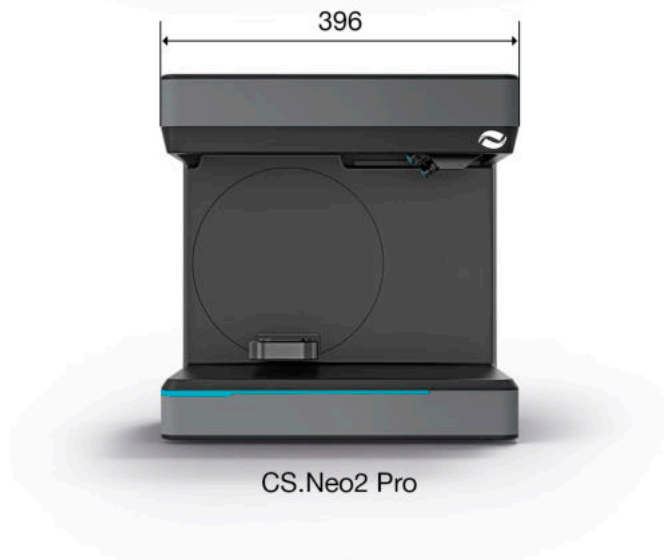
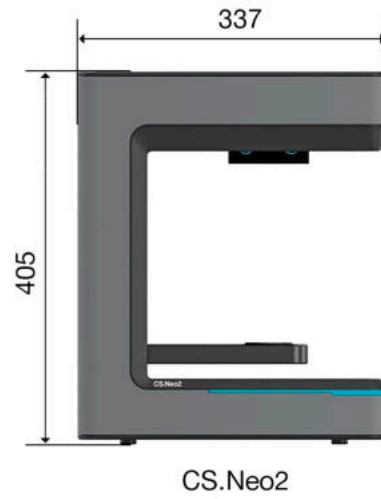
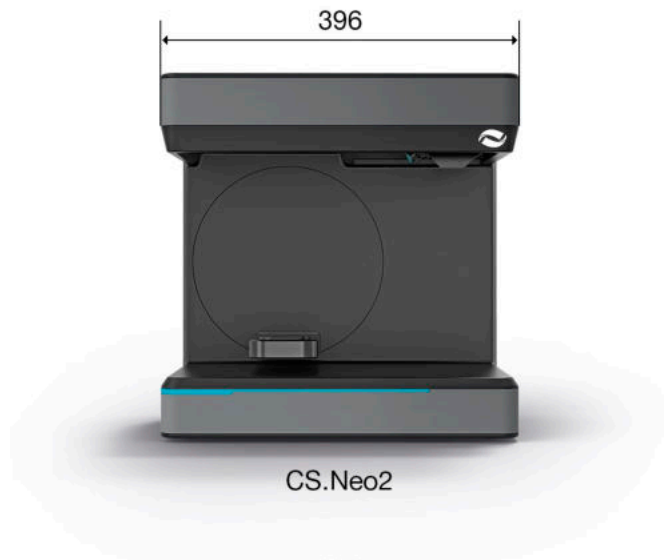
Électrique

	CS.Neo2	CS.Neo2 Pro	CS.Neo2 Max
Tension de secteur	90 - 264VAC	90 - 264VAC	90 - 264VAC
Fréquence du réseau	47 - 63Hz	47 - 63Hz	47 - 63Hz
Puissance du bloc d'alimentation	90 Wh	90 Wh	90 Wh
Tension du scanner	24V DC +10%	24V DC +10%	24V DC +10%
Puissance absorbée en fonctionnement	35 Wh	35 Wh	45 Wh
Puissance absorbée en mode veille	1 Wh	1 Wh	1 Wh
Appareil photo	2x 6Mpix	4x 6Mpix	2x 4x 6Mpix
Type de connexion USB	USB 3.0 TYPE-C (5 Gbit/s)	USB 3.0 TYPE-C (5 Gbit/s)	USB 3.0 TYPE-C (5 Gbit/s)
Nombre de connexions USB	1	1	2

Scanner

	CS.Neo2	CS.Neo2 Pro	CS.Neo2 Max
Plage de mesure (l x h x p)	100 x 100 x 100 mm	100 x 100 x 100 mm	2x 100x100x100mm
Taille maximale de l'objet	200 x 200 x 150 mm	200 x 200 x 150 mm	300x200x150mm
Poids maximal de l'objet	2 kg	2 kg	2 kg
Précision absolue	<5 µ	<5 µ	<5 µ
Précision de répétition	<2 µ	<2 µ	<2 µ
Format de sortie	STL, PLY	STL, PLY	STL, PLY

9.1 Schémas de produits & distances



10. Déclaration de conformité

(Original EC Declaration of Conformity)

Manufacturer: CADstar Technology GmbH Grasslau 30 5500 Bischofshofen	Authorized signatory: Georg Dick (Directeur général)
Product: Optical 3D Scanner CS.Neo2, CS.Neo2 Pro, CS.Neo2 Max	Explanation: CADstar Technology GmbH hereby confirms that the product shown here complies with the basic requirements of EMC 2014/30/EU, Low Voltage 2014/35/EU and the regulations on the restriction of the use of certain hazardous substances in electrical and electronic equipment according to RoHS electronics 2011/65/EU.
Applicable standards:	
Safety Requirements	DIN EN IEC62368-1 : 2022-09
EMC	DIN EN 55032:2022-08 DIN EN IEC 61000 3-2:2019-12 DIN EN IEC 61000-3-3:2020-07 DIN EN IEC 61000-4-2 : 2009-12 DIN EN IEC 61000 4-3:2021-11 DIN EN IEC 61000-4-4:2013-04 DIN EN IEC 61000-4-5:2019-03 DIN EN IEC 61000-4-6:2014-08 DIN EN IEC 61000-4-8:2010-11 DIN EN IEC 61000-4-11:2021-10
RoHS	EN IEC 63000:2018 ; EU Directive 2011/65/EU:2023
	
Bischofshofen, January 2023	Gerog Dick
(Place and date of declaration)	(Name and signature of authorised signatory)



Оглавление

1. Безопасность и общие сведения	2
1.1 Символы и средства представления информации.....	2
1.2 Маркировка.....	3
1.3 Сервисное обслуживание клиентов.....	3
1.4 Указания по технике безопасности для отдельных этапов эксплуатации	3
1.5 Использование по назначению	4
1.6 Возможное ненадлежащее использование.....	4
1.7 Предписанная окружающая среда	4
1.8 Обязанности эксплуатационника	5
1.9 Квалификация персонала.....	5
1.10 Обязанности персонала.....	5
1.11 Средства индивидуальной защиты	5
2. Транспортировка и установка.....	5
2.1 Распаковка и настройка устройства	6
2.2 Выбор места установки.....	6
2.3 Ручки для переноски.....	7
2.4 Пример установки	7
3. Обзор устройства и подключения	8
3.1 Компоненты сканера	8
3.2 Панель разъемов сканера.....	8
3.3 Блок питания.....	9
3.4 Кабели USB	9
3.5 Принадлежности.....	9
4. Функционирование и установка.....	9
4.1 Установка сканера.....	9
4.2 Установка компьютера	10
4.3 Инсталляция ПО.....	10
5. Рабочий процесс	10
5.1 Распознавание идентификатора	11
5.2 Светодиодная полоска индикации.....	11
5.3 Выключение сканера.....	11
6. Часто задаваемые вопросы при устранении неполадок	11
7. Работы по очистке и техническому обслуживанию, выполняемые эксплуатационником	11
7.1 Очистка.....	12
7.2 Повторная калибровка.....	12
7.3 Ремонт/ устранение неполадок	12
8. Утилизация.....	12
9. Технические данные.....	13
9.1 Схемы изделия и расстояния	14



1. Безопасность и общие сведения

Данная инструкция по эксплуатации составлена в соответствии с действующими нормами ЕС и содержит указания по технике безопасности. Каждое отдельное лицо самостоятельно несет ответственность за соблюдение правил техники безопасности. В этой главе содержится общее введение в указания по технике безопасности. Кроме того, здесь вы найдете важную информацию по предупреждению несчастных случаев.

Приобретая этот оптический 3D-сканер (в дальнейшем просто сканер), вы получаете продукт, который соответствует последнему слову техники с точки зрения безопасности обслуживающего персонала и эксплуатационной безопасности. Тем не менее, сканер может представлять потенциальную опасность, если он используется недостаточно обученным персоналом, не по назначению или ненадлежащим образом. В главе «Безопасность и общие сведения», а также во всей инструкции по эксплуатации мы четко указываем на возможные опасности.

Эта инструкция по эксплуатации содержит важную информацию по монтажу, вводу в эксплуатацию, эксплуатации, техническому обслуживанию и утилизации сканера.

Данная инструкция по эксплуатации предназначена для безопасной работы пользователя со сканером.

Соблюдение инструкций, приведенных в этом документе, позволит избежать опасностей и предотвратить повреждение сканера.

Все лица, работающие со сканером и обслуживающие его, должны во время своей работы иметь доступ к инструкции по эксплуатации и соблюдать все соответствующие указания и инструкции. Эта инструкция по эксплуатации всегда должна быть полной и разборчивой.

Компания CADstar Technology не несет ответственности за типографские ошибки в данной инструкции по эксплуатации. Кроме того, мы не несем ответственности за ущерб, который может быть прямо или косвенно связан с поставкой. Даже при всей добросовестности проектирования и изготовления сканера и с учетом всех фактов, связанных с безопасностью, могут существовать остаточные опасности, которые были оценены с помощью системы оценки рисков. В этой главе перечислены все остаточные риски и предупреждения из оценки рисков.




Информация в данном документе может быть изменена без предварительного уведомления. При подготовке данного документа были приложены все усилия, чтобы точно передать его содержание. Любые заявления, информация или рекомендации, содержащиеся в данном документе, не являются явным или подразумеваемым обещанием любого рода характеристик.

1.1 Символы и средства представления информации

1.1.1 Предупреждения и дополнительная информация

Предупреждения

Разделы данного документа с пометками «ПРИМЕЧАНИЕ», «ВНИМАНИЕ» и «ОПАСНО» не содержат всех инструкций по технике безопасности, которые необходимо соблюдать. Они являются лишь дополнением к общим инструкциям по технике безопасности. Компания CADstar не несет ответственности за любые последствия, вызванные нарушением общих требований или стандартов безопасности при проектировании, производстве и использовании. В зависимости от серьезности и вероятности опасности различают следующие уровни предупреждения:


Предупреждающий символ	Описание
 ОПАСНО	Указывает на высокий уровень опасности, которая в случае неизбежности может привести к смерти или серьезным травмам.
 ОСТОРОЖНО	Указывает на незначительную опасность, которая в случае неизбежности может привести к легкой травме.
 ПРИМЕЧАНИЕ	ПРИМЕЧАНИЕ используется для разъяснения действий, не связанных с травмами, или для улучшения рабочего процесса с продуктом.

1.1.2 Наклейка безопасности на сканере

На сканере нанесены указания по безопасности, которые обращают внимание на возможные опасности/ остаточные риски. Необходимо при любых обстоятельствах соблюдать нанесенные на сканере указания по безопасности. Если с течением времени таблички с предупредительными надписями на сканере поблекнут или будут повреждены, их нужно будет немедленно заменить новыми табличками. Необходимо регулярно проверять читаемость и полноту информации на табличках. Как только становится невозможно сразу разобрать информацию на табличках, следует прекратить использование оптического 3D-сканера, пока не будут прикреплены новые таблички.



Предупреждающие, запрещающие и предписывающие пиктограммы на сканере и их значение:

Символ	Значение
	Опасность заземления Эта пиктограмма расположена в области поворотного кронштейна и предупреждает о возможном риске заземления между сканером и поворотным кронштейном.

1.2 Маркировка

Сканер четко идентифицируется по содержанию его фирменной таблички. Маркировка CE согл.:

- Директиве по электромагнитной совместимости 2014/30/EC
- Директиве по низковольтному оборудованию 2014/35/EC
- Директиве по ограничению содержания вредных веществ 2011/65/EC

1.3 Сервисное обслуживание клиентов

В случае технических проблем обратитесь в службу поддержки клиентов. Или непосредственно в компанию CADstar Technology. Link: www.cadstar.dental
Центральный офис CADstar Technology, Grasslau 30, 5500 Bischofshofen, Австрия.

1.4 Указания по технике безопасности для отдельных этапов эксплуатации

1.4.1 Транспортировка и установка

- Транспортировать сканер можно только в соответствующей защитной упаковке.
- При обращении со сканером учитывайте возможный изгиб сканера. Прежде всего, когда опускаете устройство после переноски.
- Сканер рассчитан на то, что будет устанавливаться на эргономичной высоте. (Соблюдайте правила по охране труда в вашей стране).
- При прокладке кабелей помните об опасности споткнуться. Всегда прокладывайте кабели вдоль стен. Кабели ни в коем случае не должны укладываться натянутыми или свободно висящими.
- Место установки сканера следует выбирать таким образом, чтобы во время процедуры сканирования поглощались любые вибрации, т.е. нагрузочная способность выбранной основы (станина, стол и т.д.) должна быть как минимум вдвое больше величины, указанной в Технических характеристиках.
- На месте установки необходимо учитывать окружающее освещение. Во время сканирования не должно быть никаких изменений в окружающем освещении, например, из-за тени деревьев или штор. Также следует избегать неоновых ламп или прямого солнечного света.
- Сканер нельзя эксплуатировать во влажных помещениях.
- Не допускайте контакта со сканером каких-либо жидкостей. Никогда не ставьте на сканер сосуды с жидкостью.

1.4.2 Установка и эксплуатация

- Операторы и обслуживающий персонал должны регулярно получать инструктаж по вопросам эксплуатации и опасностей при работе с оборудованием. Прочтение инструкции по эксплуатации является обязательным.
- Перед каждым запуском убедитесь, что в зоне поворота консоли нет каких-либо деталей, так как при включении консоль совершает контрольный прогон.
- Не подпускайте к сканеру детей. Работать со сканером должен только обученный персонал.
- Оптический 3D-сканер должен эксплуатироваться только в безупречном и чистом состоянии.
- Кабель электропитания и подводный кабель не должны быть повреждены или передавлены другими предметами.
- Следует немедленно сообщать эксплуатационнику о неисправностях или повреждениях.
- Запрещается снимать, изменять, переключать или обходить любые защитные, предохранительные или контрольные устройства.
- При обслуживании вставок сканера учитывайте возможную угрозу заземления.
- Если сканер не будет использоваться в течение длительного времени, отключите его от сети.
- Нельзя складывать на сканер какие-либо предметы или инструменты.
- В зоне сканера нужно соблюдать чистоту и порядок. Все ненужные для рабочего процесса предметы и упаковки следует убрать из рабочей зоны сканера.
- Запрещается взбираться на сканер, сидеть или стоять на сканере.



Во время включения движется поворотная консоль. Нельзя вставлять руки в опасную зону, так как это может привести к травмам пальцев.



Во время сканирования движется поворотный кронштейн. Нельзя вставлять руки в опасную зону, так как это может привести к травмам пальцев.

1.4.3 Ненадлежащее обслуживание, ремонт и внесение изменений.

Последующая установка дополнительных приспособлений сторонних производителей, а также изменение защитных устройств недопустимы без согласования с компанией CADstar Technology или производителем соответствующего дополнительного приспособления!

- Ремонт сканера может осуществляться только службой поддержки клиентов компании CADstar Technology.

1.5 Использование по назначению

Использование сканера по назначению заключается в трехмерном оптическом измерении дублированных человеческих структур в сочетании с прилагаемым программным обеспечением.

В сканер можно помещать только оттиски и гипсовые модели челюстей и артикуляторы с гипсовыми моделями (макс. 1500 г) с размерами Ш x Д x В:

200 мм x 200 мм x 150 мм). Разрешается использовать только принадлежности, рекомендованные компанией CADstar Technology. Сканер предназначен для использования в зубопротезных лабораториях.

Любое другое использование требует письменного согласия компании CADstar Technology. Ненадлежащее использование может привести к травмированию людей и повреждению сканера. Изделие не является самостоятельно функционирующим устройством, его необходимо обслуживать вручную. Кроме того, в случае использования не по назначению претензии по ответственности и гарантийным обязательствам не принимаются.

1.6 Возможное ненадлежащее использование

Информация, содержащаяся в данной документации, описывает характеристики изделия, не гарантируя их. Претензии по гарантии и ответственности не принимаются в случае повреждений, вызванных в случае:

- неправильного использования сканера,
- несоблюдением инструкции по эксплуатации.
- внесения самовольных изменений в сканер,
- неправильной работы со сканером и обслуживания сканера,
- неправильно выполненного ремонта,
- самовольного, неправильного изменения рабочих параметров,
- стихийных бедствий, воздействия инородных тел и форс-мажорных обстоятельств.

1.7 Предписанная окружающая среда

Допустимые пределы работы сканера ограничены следующими условиями:

- Эксплуатировать только в помещении
- температура окружающей среды: от - 5°C до + 35°C
- Относительная влажность: до 31°C 20-80 % при температуре до 35°C максимум 20-50 % линейно уменьшающаяся - не подходит для влажных помещений, без конденсации
- Отсутствие мерцания освещения (например, из-за люминесцентных ламп, шевеления штор, теней от деревьев на ветру)
- Максимальная яркость окружающей среды 500 люкс. Отсутствие прямых солнечных лучей в зоне сканирования
- Чистая и непыльная окружающая среда
- горизонтальное место установки на устойчивом вибропоглощающем рабочем месте
- Максимальная высота установки <3000 м над уровнем моря

1.8 Обязанности эксплуатационника

Ответственность за безопасную эксплуатацию сканера лежит на эксплуатационнике.

- Обеспечьте, чтобы со сканером работали только обученные, образованные или квалифицированные лица.
- Позаботьтесь о том, чтобы каждый, кто работает со сканером впервые, прочитал и понял эту инструкцию по эксплуатации.
- Обращайте особое внимание на соблюдение указаний по безопасности в этой инструкции по эксплуатации и на сканере.
- Храните инструкцию по эксплуатации рядом со сканером и передавайте ее новому персоналу.
- Следите за тем, чтобы на сканере не работали некомпетентные лица.
- Обслуживающий персонал должен регулярно проходить инструктаж по безопасной работе на сканере.
- Соблюдайте при этом национальные правила по охране труда в вашей стране.
- При выполнении работ по обслуживанию, ремонту или очистке сканера, необходимо отключить его от сети.
- Ремонт должен выполняться только сертифицированной сервисной компанией.
- Следите за тем, чтобы оставались хорошо читаемыми таблички, которые были прикреплены при поставке сканера. Отсутствующие и поврежденные предупреждающие таблички следует немедленно заменить.

1.9 Квалификация персонала

Данная инструкция по эксплуатации предназначена для операторов и обслуживающего персонала сканера. Операторы и обслуживающий персонал должны назначаться эксплуатирующей стороной и должны соответствовать следующим предварительным условиям:

Обслуживающий персонал:

- Базовые технические знания
- Обязательным условием является чтение и понимание этой инструкции по эксплуатации и обслуживанию.
- Работник должен быть достаточно сильным, чтобы поднять устройство и перенести его до нужного места.
- Осмотр и очистка должны выполняться только техническими специалистами, прошедшими обучение по конкретному изделию, или под руководством службы поддержки клиентов.

Эксплуатирующий персонал:

- Обучение по изделию
- регулярный инструктаж по технике безопасности

1.10 Обязанности персонала

- Необходимо всегда соблюдать правила техники безопасности и указания, содержащиеся в данной инструкции по эксплуатации.
- Эксплуатация этого сканера может осуществляться только персоналом с соответствующей квалификацией. Данный персонал должен быть ознакомлен со всеми содержащимися в данной инструкции по эксплуатации и на сканере указаниями по технике безопасности и соответствующими мероприятиями по эксплуатации, техническому обслуживанию и очистке.
- Перед очисткой, техническим обслуживанием и ремонтом оптический сканер необходимо обесточить.

1.11 Средства индивидуальной защиты

3D-сканер разработан таким образом, что персонал, работающий на сканере, не нуждается в каком-либо дополнительном защитном оборудовании, выходящем за рамки требуемых стандартов эксплуатирующей организации (например, рабочая одежда, рабочая обувь и т.д.).

- Лица, выполняющие работы по очистке и обслуживанию, должны соблюдать предписанные меры для соответствующих моющих средств (например, перчатки для мойки, брызговики и т.д.).

2. Транспортировка и установка



Сначала проверьте, не повреждена ли упаковка. В случае повреждений, задокументируйте повреждения и свяжитесь с продавцом. При транспортировке обращайте внимание на предупреждения на упаковке. Устройство должно транспортироваться или храниться в упаковке в вертикальном положении хорошо защищенным и сухим.

В случае длительного хранения устройство следует держать в сухом месте в оригинальной упаковке. Необходимо обеспечить соблюдение правил хранения, указанных в спецификации.

**ПРИМЕЧАНИЕ!**

Транспортируйте сканер только в оригинальной упаковке, чтобы не повредить устройство.

2.1 Распаковка и настройка устройства

Сначала откройте коробку сверху и снимите верхнюю пенопластовую крышку с дополнительными принадлежностями. Затем вы можете взять сканер за два углубления и вытащить его из коробки. Теперь можно снять крепление для консоли, внутри крепления вы найдете стандартные принадлежности.



Сохраните упаковку для возможной транспортировки в будущем (переезд, обслуживание, ...).



Утилизируйте оставшиеся отходы экологически безопасным образом.

2.2 Выбор места установки

Поскольку значительное влияние на работу сканера оказывает окружающая среда, следует внимательно относиться к выбору места установки и соблюдать следующие моменты:

- Избегайте быстро меняющихся условий освещения, например, движущиеся тени, мерцающее офисное освещение (люминесцентные лампы, светодиоды...).
- Ни в коем случае не подвергайте сканер воздействию прямых солнечных лучей.
- Избегайте устанавливать в непосредственной близости от источников тепла (например, радиаторов, других электроприборов, каминов и т. д.).
- Необходимо убедиться, что место установки ровное и не подвержено вибрациям.
- Необходимо обеспечить, чтобы на месте установки не было чрезмерного воздействия пыли, токсичных веществ или едких газов.
- Выбирайте такое место установки и монтажа, где в сканер ни при каких обстоятельствах не попадет жидкость или посторонние предметы (напр., конденсат, вода через протекшую крышу или брызги из поливной системы).
- Необходимо обеспечить постоянный доступ к сетевой вилке блока питания.
- Сканер можно эксплуатировать только в помещении.

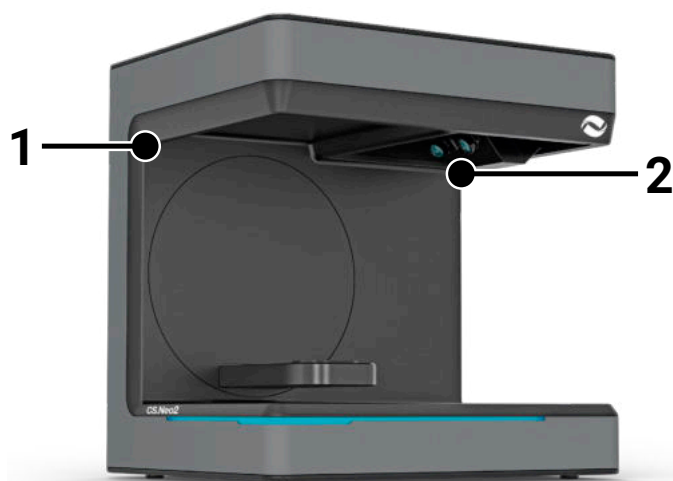


Важная информация! Сильный посторонний свет или прямые солнечные лучи могут повлиять на ре-

зультат сканирования.

Это может привести к плохому качеству сканирования или нежелательным отклонениям в результатах измерений.

2.3 Ручки для переноски

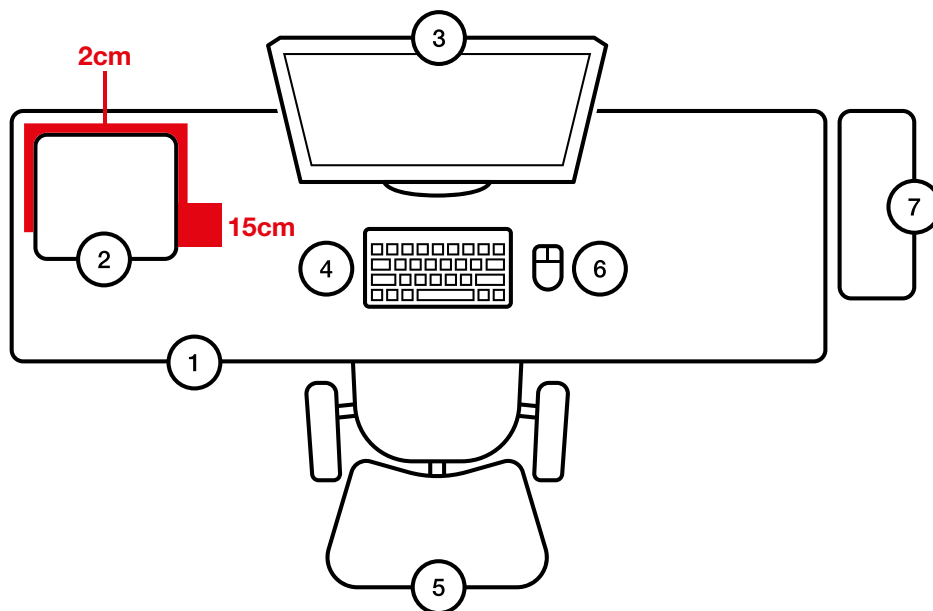


Для переноски сканера на нем предусмотрены две ручки (1) и (2).

Держите сканер за эти две ручки левой и правой руками. Сканер весит 11-13 кг, и его может переносить один человек. При этом открытая сторона сканера должна быть обращена в сторону от тела.

2.4 Пример установки

На следующем изображении речь идет лишь о схематическом представлении, предназначенном для иллюстрации всей системы. Обратите внимание на эргономичное расположение, а также на отмеченные минимальные расстояния до сканера (красный цвет).



№	Описание
1	письменный стол
2	Оптический 3D-сканер
3	Монитор компьютера
4	Клавиатура
5	Кресло для письменного стола
6	Мышь
7	Компьютер



Блок питания должен подключаться только к розетке с защитным заземляющим контактом.

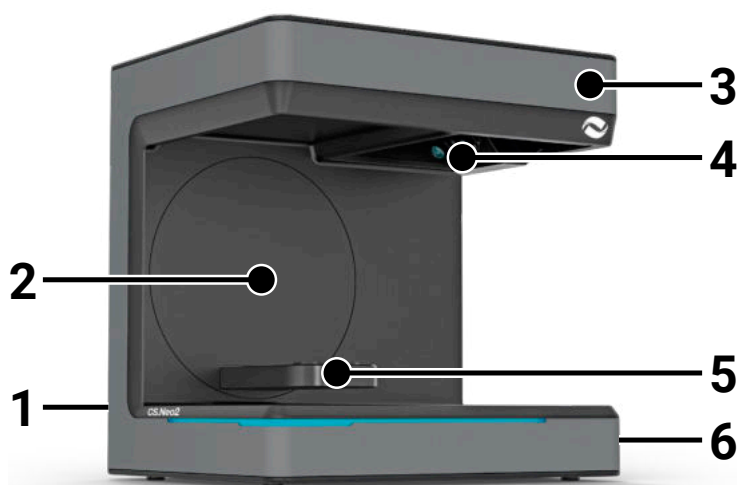


Кабели должны быть проложены вдоль стен

3. Обзор устройства и подключения

3.1 Компоненты сканера

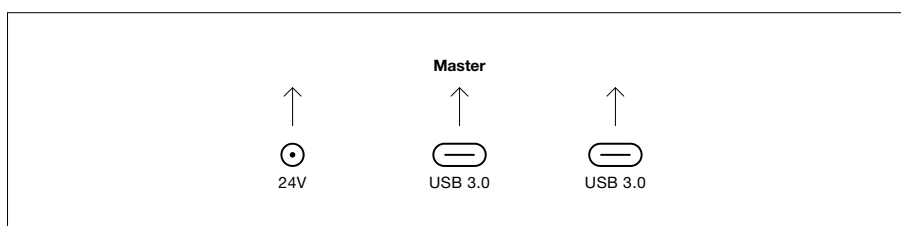
Это основные компоненты сканера.



№	Описание
1	Панель разъемов (сзади)
2	Поворотная консоль
3	Корпус
4	Оптический блок сканирования
5	Снимок модели (CS.Neo2 Max = два снимка)
6	Кнопка включения/выключения

3.2 Панель разъемов сканера


Панель подключения находится на обратной стороне сканера и имеет следующий вид:



№	Описание
1	Гнездо питания 24 В постоянного тока
2	Ведущий блок с портом USB C 3.0
3	Ведомый блок с портом USB C 3.0 (только для CS.Neo2 Max)

3.3 Блок питания

Технические характеристики блока питания

	Характеристика	Значение
	Производитель	MEAN WELL
Тип	GST90A 24 – P1M	
Вход	90 ~ 264 В переменного тока 127~370 В постоянного тока	
Power	90 Вт	
Выход	24 В, 3,75 А	



Используйте только прилагаемый блок питания и шнур питания. Блок питания должен подключаться только к розетке с защитным заземляющим контактом.

3.4 Кабели USB

По возможности используйте прилагаемый кабель. Если вы используете собственный USB-кабель, убедитесь, что он обладает следующими характеристиками. Полноразмерный кабель USB С 5 Гбит с экранированием, максимальная длина 1,4 м. Для удлинения свыше 1,4 м необходимо использовать активный USB-удлинитель.



Для сканеров с 2 кабелями USB убедитесь, что для каждого из двух кабелей USB доступна полная пропускная способность. (часто USB-разъемы делят скорость).

3.5 Принадлежности

Каждый сканер поставляется со стандартными принадлежностями. Для определенных функций можно приобрести дополнительные принадлежности.



ПРИМЕЧАНИЕ! Используйте только оригинальные принадлежности.
В противном случае могут быть аннулированы гарантийные обязательства и ответственность за качество продукции.



Будьте осторожны с калибровочной пластиной, чтобы не повредить поверхность.

4. Функционирование и установка

Этот оптический 3D-сканер используется в стоматологической сфере и предназначен для трехмерного измерения и оцифровки моделей челюстей. При этом узор структурированного света, основанный на принципе «сканирования структурированным светом», проецируется проектором на измеряемый объект. Искажение светового узора, возникающее из-за структуры модели, регистрируется четырьмя камерами высокого разрешения, встроенными в модуль сканера, обрабатывается и, таким образом, оцифровывается в виртуальную и трехмерную модель.

4.1 Установка сканера

После установки сканер подсоединяется с помощью одного или двух USB-кабелей, затем к нему подключается внешний блок питания 24 В, который подключается к электросети.

Если USB-кабели слишком короткие, их можно удлинить с помощью специальных активных удлинителей. Приобрести соответствующие изделия можно в компании CADstar. При работе с устройствами с двумя USB-подключениями следует убедиться, что два USB-порта на ПК не относятся к одному USB-контроллеру/концентратору, поскольку для сканера требуется полная пропускная способность 2 x 5 Гбит/с. Это означает, что в общей сложности должно быть доступно 10 Гбит/с.



4.2 Установка компьютера

Для работы программного обеспечения сканера требуется как минимум Windows 10 или более поздняя версия. Убедитесь, что все драйверы обновлены (видеокарта, USB-хост, материнская плата и т.д.). Чтобы обеспечить бесперебойную работу сканера, соблюдайте рекомендованные минимальные требования к рабочему ПК.



Обратитесь к руководству пользователя ПК.

4.3 Инсталляция ПО

Программа сканирования уже предустановлена в поставляемой рабочей станции. Если это не так, программное обеспечение можно получить у вашего дилера или установить удаленно с помощью нашей службы поддержки клиентов. Для этого обратитесь в службу поддержки клиентов CADstar Technology. См. главу «Служба поддержки клиентов».

Обратите внимание, что для лицензирования программного обеспечения должно быть доступно подключение к Интернету. Это необходимо делать при каждой новой установке.



Для установки требуются права администратора.



Наша служба поддержки работает с программой «TeamViewer». Загрузите это программное обеспечение (www.teamviewer.com). После установки подготовьте свой идентификатор и пароль, чтобы наша служба поддержки могла подключиться к вашему компьютеру.

5. Рабочий процесс

После запуска программного обеспечения, вы должны запустить калибровку сканера в меню параметров. Для этого поместите калибровочную пластину в сканер и запустите калибровку.

Параметры Home Scan Software



> Калибровка сканера ИЛИ Меню параметров



> Калибровка сканера

После успешной калибровки вы можете создать новый кейс, как показано в меню. Следующие поля являются обязательными и должны быть заполнены или выбраны:

- Patient
- Doctor
- Model type
- Scan mode type



Для получения более подробной информации обратитесь к руководству по программному обеспечению.

Как только вы окажетесь в меню сканирования, вы сможете сканировать модель, которая находится в сканере.

5.1 Распознавание идентификатора

Каждая принадлежность имеет свой собственный идентификатор распознавания, с помощью которого сканер может определить, что в данный момент находится в сканере, и, таким образом, выполнить соответствующие функции.



Обратите внимание на свободные золотые контакты (24 В). Не замыкайте их!

5.2 Светодиодная полоска индикации

Светодиодная полоска используется для индикации состояний в программном обеспечении.

- Пульсирующий белый > Нет подключения к программному обеспечению
- Красный > Ошибка
- Радуга > Калибровка
- Синяя полоска индикации прогресса > Индикация хода процесса сканирования

5.3 Выключение сканера



Чтобы выключить сканер, необходимо удерживать нажатой кнопку включения/выключения не менее 1 секунды.

6. Часто задаваемые вопросы при устранении неполадок

Сканер не запускается:

- Если при запуске лампа сканера не загорается, проверьте источник питания и подключен ли блок питания к сканеру.
- Свяжитесь с нашей службой поддержки

Сканер не распознается компьютером:

- Убедитесь, что USB-кабель исправен и имеет максимальную длину 1,5 м (за исключением активных USB-удлинителей компании CADstar). Для проверки замените кабель
- Проверьте порт USB, соответствует ли он спецификации USB3.0.
- Проверьте статус драйвера в диспетчере устройств, чтобы убедиться, что он обновлен.
- Проверьте, горят ли на устройстве светодиодные индикаторы.
- Перезагрузите ПК и сканер.
- Свяжитесь с нашей службой поддержки

На результатах сканирования видны полосы:

- Проследите, чтобы не было изменения освещенности во время сканирования, это может приводить к появлению полос. Зачастую это может быть вызвано из-за шевеления штор во время сканирования или изменения солнечного света, проникающего сквозь деревья или из-за бликов на окнах.
- Мерцающий свет, который могут излучать, например, неоновые лампы или светодиодное освещение. Для проверки можно записать видео в замедленном режиме с помощью смартфона. При обнаружении мерцания света найдите и устраните причину.

На результатах сканирования видны пробелы:

- Используйте инструмент «Интегрировать» для этой области, чтобы закрыть пробел.
- Если на сканируемом объекте есть темные пятна, распылите на объект наш спрей для сканирования.




7. Работы по очистке и техническому обслуживанию, выполняемые эксплуатационником

Чтобы обеспечить долгий срок службы изделия и точность сканирования, необходимо регулярно очищать и калибровать устройство.





7.1 Очистка

Перед выполнением работ по очистке оптический 3D-сканер необходимо выключить. Для этого отключите сканер от сети. Для очистки используйте только сухие салфетки. Сканер можно пропылесосить или продуть. Однако обращайтесь внимание на оптические элементы, чтобы не сместить их (фокус камеры). Во избежание повреждения оптических датчиков в верхней части сканера их можно только аккуратно протирать тканью из микрофибры.

	ПРИМЕЧАНИЕ! Система оптических датчиков в верхней части сканера чрезвычайно чувствительна.
	ОПАСНО! Случайное включение сканера во время очистки.
	Не используйте для очистки воду, пар или моющие средства.


7.2 Повторная калибровка

Чтобы обеспечить стабильный результат сканирования, рекомендуется каждую неделю выполнять калибровку с помощью поставляемой в комплекте калибровочной пластины. После транспортировки или при изменении местоположения сканера также следует произвести калибровку. Указания для повторной калибровки своего сканера вы найдете в руководстве к ПО. С помощью программы начните процесс сканирования и действуйте шаг за шагом согласно указаниям программы. Если у вас есть какие-либо вопросы, свяжитесь с нашей службой поддержки клиентов (см. главу «Служба поддержки клиентов»).

	Будьте осторожны, чтобы не повредить круги на стеклянной пластине, иначе калибровка будет невозможна.
	Не очищайте калибровочную пластину, так как прикосновение к кругам может повлиять на точность калибровки.


7.3 Ремонт/ устранение неполадок

Оптический 3D-сканер содержит чувствительные элементы и датчики. Поэтому ремонтные работы могут выполняться только сервисным персоналом компании CADstar Technology.

	В случае возникновения неисправностей, которые невозможно устранить перезапуском сканера, обратитесь в службу поддержки клиентов (см. главу «Служба поддержки клиентов»).
---	---

8. Утилизация

В случае утилизации сканер можно вернуть торговому представителю или производителю. Если у вас есть какие-либо вопросы относительно правильной утилизации, обратитесь в нашу службу поддержки клиентов.

	Обратите внимание, что сканер является электрическим прибором, который служит исключительно для применения в профессиональной или промышленной сфере. Поэтому утилизация его через общественные службы утилизации отходов запрещена.
---	---

9. Технические данные

Общие сведения

	CS.Neo2	CS.Neo2 Pro	CS.Neo2 Max
Производитель	CADstar Technology GmbH	CADstar Technology GmbH	CADstar Technology GmbH
Допуск к эксплуатации	2023	2023	2023
вес	11,40 кг	11,50 кг	12,60 кг
Размеры Д x Ш x В:	396 x 405 x 337 мм	396 x 405 x 337 мм	396 x 405 x 337 мм

Окружающие условия

	CS.Neo2	CS.Neo2 Pro	CS.Neo2 Max
Диапазон рабочих температур	от - 18°C до + 35°C	от - 18°C до + 35°C	от - 18°C до + 35°C
Температура хранения	от - 15°C до + 50°C	от - 15°C до + 50°C	от - 15°C до + 50°C
Высота над уровнем моря	от 0 до 3000 м	от 0 до 3000 м	от 0 до 3000 м
Степень загрязнения	2	2	2

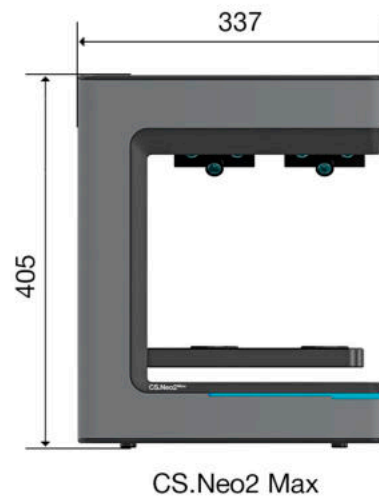
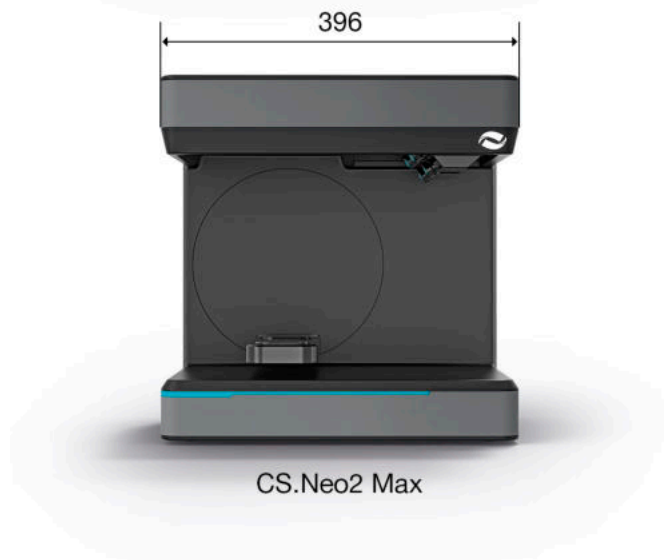
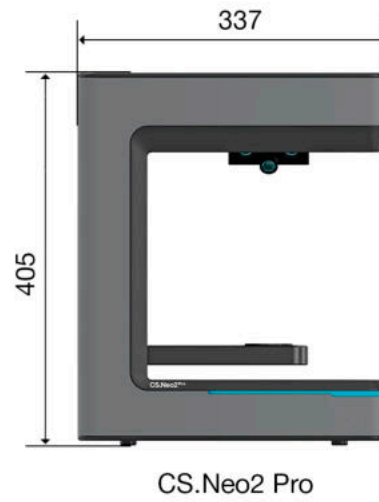
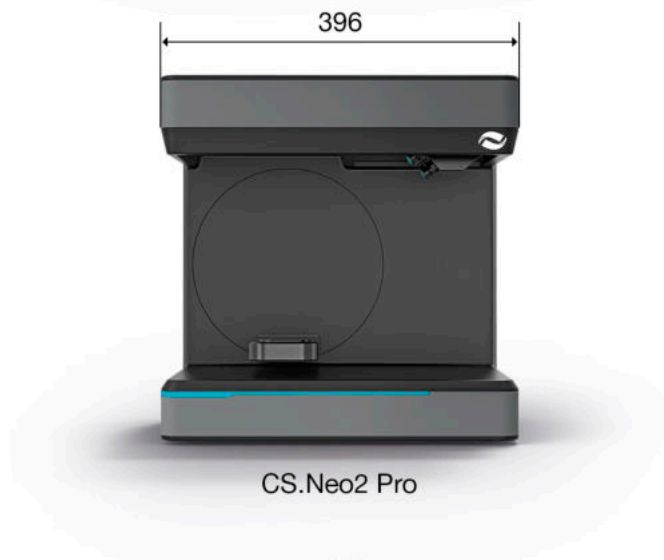
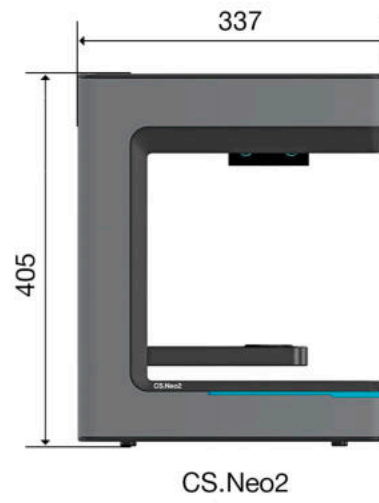
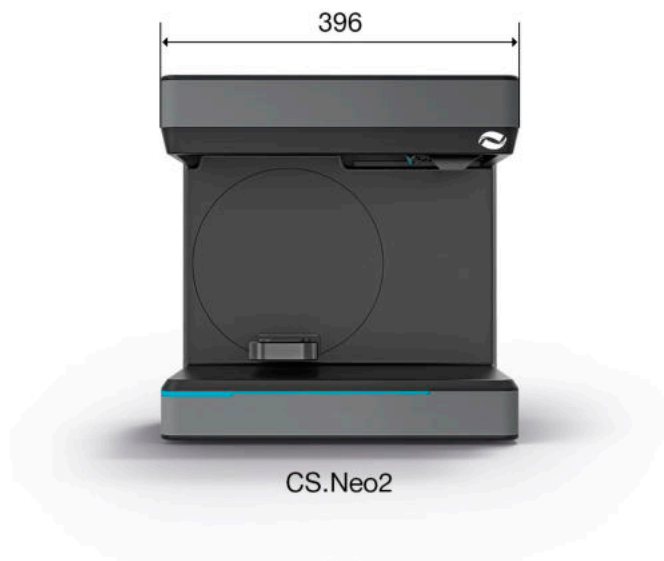
Электрооборудование

	CS.Neo2	CS.Neo2 Pro	CS.Neo2 Max
Напряжение сети	90 - 264 В переменного тока	90 - 264 В переменного тока	90 - 264 В переменного тока
Частота сети	47 - 63 Гц	47 - 63 Гц	47 - 63 Гц
Мощность блока питания	90 Вт/ч	90 Вт/ч	90 Вт/ч
Напряжение сканера	24 В постоянного тока +10%	24 В постоянного тока +10%	24 В постоянного тока +10%
Потребляемая мощность при работе	35 Вт/ч	35 Вт/ч	45 Вт/ч
Потребляемая мощность в режиме ожидания	1 Вт/ч	1 Вт/ч	1 Вт/ч
Камера	2 x 6 Мп	4 x 6 Мп	2 x 4 x 6 Мп
Тип USB-подключения	USB 3.0 TYP C (5 Гбит/с)	USB 3.0 TYP C (5 Гбит/с)	USB 3.0 TYP C (5 Гбит/с)
Количество USB-подключений	1	1	2

Сканер

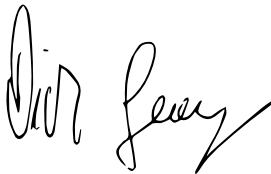
	CS.Neo2	CS.Neo2 Pro	CS.Neo2 Max
Диапазон измерений (Ш x В x Г)	100 x 100 x 100 мм	100 x 100 x 100 мм	2x 100x100x100 мм
Максимальный размер объекта	200 x 200 x 150 мм	200 x 200 x 150 мм	300 x 200 x 150 мм
Максимальный вес объекта	2 кг	2 кг	2 кг
Абсолютная точность	<5 мкм	<5 мкм	<5 мкм
Повторная точность	<2 мкм	<2 мкм	<2 мкм
Выходной формат	STL, PLY	STL, PLY	STL, PLY

9.1 Схемы изделия и расстояния



10. Декларация о соответствии

(Оригинал декларации соответствия ЕС)

Производитель: CADstar Technology GmbH Grasslau 30 5500 Bischofshofen	Уполномоченное лицо: Георг Дик (управляющий директор)
Изделие: Оптический 3D-сканер CS.Neo2, CS.Neo2 Pro, CS.Neo2 Max	Пояснение: Настоящим CADstar Technology GmbH подтверждает, что показанный здесь продукт соответствует основным требованиям положения по электромагнитной совместимости EMC 2014/30/EU, положениям о низком напряжении 2014/35/EC и положениям об ограничении использования некоторых опасных веществ в электрическом и электронном оборудовании в соответствии с директивой RoHS Electronics 2011/65/EC.
Применимые стандарты:	
Требования безопасности	DIN EN IEC62368-1: 2022-09
EMC	DIN EN 55032:2022-08 DIN EN IEC 61000 3-2:2019-12 DIN EN IEC 61000-3-3:2020-07 DIN EN IEC 61000-4-2: 2009-12 DIN EN IEC 61000 4-3:2021-11 DIN EN IEC 61000-4-4:2013-04 DIN EN IEC 61000-4-5:2019-03 DIN EN IEC 61000-4-6:2014-08 DIN EN IEC 61000-4-8:2010-11 DIN EN IEC 61000-4-11:2021-10
RoHS	EN IEC 63000:2018; Директива EC 2011/65/EU:2023.
	
Бишофсхофен, январь 2023 г.	Георг Дик
(Место и дата составления декларации)	(Имя и подпись уполномоченного лица)



Cuprins

1. Informații privind siguranța și generalități	2
1.1 Simboluri și mijloace de reprezentare.....	2
1.2 Etichetare.....	3
1.3 Asistență clienți	3
1.4 Instrucțiuni privind siguranța pentru fiecare fază de utilizare în parte	3
1.5 Utilizare vizată.....	4
1.6 Potențială utilizare greșită	4
1.7 Mediul vizat	4
1.8 Responsabilitățile utilizatorului	5
1.9 Calificări ale personalului.....	5
1.10 Responsabilitățile personalului.....	5
1.11 Echipament de protecție a personalului	5
2. Transport și instalare.....	5
2.1 Dezambalarea și montarea dispozitivului	6
2.2 Selectarea unei zone de montare	6
2.3 Puncte de la care se poate prinde pentru mutare.....	7
2.4 Exemplu de instalare	7
3. Prezentare generală a dispozitivului și conexiuni	8
3.1 Componentele scannerului	8
3.2 Regletă conectori scanner	8
3.3 Unitate de alimentare electrică	9
3.4 Cabluri USB.....	9
3.5 Accesorii.....	9
4. Funcționare și instalare.....	9
4.1 Instalarea scannerului.....	9
4.2 Instalarea computerului.....	10
4.3 Instalarea software-ului	10
5. Proces de lucru	10
5.1 Recunoașterea datelor de identificare	11
5.2 Bară indicatoare cu LED.....	11
5.3 Oprirea scannerului	11
6. Întrebări frecvente privind detectarea și soluționarea problemelor	11
7. Activitate de curățare și de întreținere pentru utilizator	11
7.1 Curățare	12
7.2 Recalibrare.....	12
7.3 Reparare / Detectarea și soluționarea problemelor	12
8. Eliminare	12
9. Date tehnice.....	13
9.1 Diagrame produs și aprobări.....	14



1. Informații privind siguranța și generalități

Acest manual de utilizare este organizat conform reglementărilor UE aplicabile și conține instrucțiuni privind siguranța. Respectarea instrucțiunilor privind siguranța ține de responsabilitatea persoanelor. Acest capitol cuprinde o introducere generală la instrucțiunile privind siguranța. În plus, cuprinde informații importante referitoare la prevenirea accidentelor.

Acest scanner optic 3D (în continuare denumit scanner) este un produs de ultimă generație în raport cu aspectele de siguranță a personalului utilizator și cu fiabilitatea pe parcursul funcționării. Totuși, s-ar putea ca scannerul să prezinte riscuri dacă este utilizat de personal necalificat în mod corespunzător sau dacă este utilizat incorect sau contrar scopului vizat. În capitolul „Informații privind siguranța și generalități”, precum și în alte secțiuni ale manualului de utilizare, menționăm explicit posibile pericole.

Acest manual de utilizare cuprinde informațiile relevante pentru instalarea, punerea în funcțiune, utilizarea, întreținerea și eliminarea scannerului.

Scopul vizat al prezentului manual de utilizare este să permită utilizatorului să lucreze cu scannerul în condiții de siguranță.

Respectarea instrucțiunilor din acest document va contribui la evitarea pericolelor și la prevenirea deteriorării scannerului.

Toate persoanele care intervin asupra scannerului și care lucrează cu el trebuie să citească în prealabil manualul de utilizare și să respecte informațiile și observațiile relevante pentru ele. Acest manual de utilizare trebuie să fie în permanență complet și integral lizibil.

CADstar Technology nu răspunde de niciun fel de eroare tipografică din acest manual. Totodată, nu răspunde pentru daune direct sau indirect cauzate de livrare. Pericole reziduale pot exista în continuare chiar și după ce s-a acordat cea mai mare atenție proiectării și construirii scannerului și chiar și după ce s-au luat în calcul toate aspectele relevante pentru siguranță. Acestea au fost calculate prin intermediul unei evaluări a riscurilor. Acest capitol enumeră toate riscurile reziduale și avertizările rezultate din evaluarea riscurilor.




Informațiile din documentul de față pot fi modificate fără o notificare în acest sens. La elaborarea acestui document s-au depus toate eforturile pentru a-i asigura acuratețea. Nicio afirmație, informație sau recomandare din acest document nu constituie o garanție a niciunui fel de caracteristici, fie ele explicate sau implicite.

1.1 Simboluri și mijloace de reprezentare

1.1.1 Avertizări și informații suplimentare

Avertizări

În acest document, secțiunile marcate cu „NOTĂ”, „ATENȚIE” și „PERICOL” nu cuprind toate instrucțiunile de siguranță care trebuie respectate. Ele reprezintă doar aspecte suplimentare la instrucțiunile generale privind siguranța. CADstar nu-și asumă nicio răspundere pentru niciun fel de consecințe cauzate de nerespectarea cerințelor generale privind siguranța sau a standardelor de proiectare, producție și utilizare. Acest document distinge între următoarele niveluri de avertizare, în funcție de gravitatea și de probabilitatea pericolului:

Simbol de avertizare	Descriere
 PERICOL	Semnalează un pericol semnificativ care, dacă nu va fi evitat, va duce la deces sau la vătămare gravă.
 ATENȚIE	Semnalează un pericol minor care, dacă nu este evitat, poate duce la vătămări minore.
 NOTĂ	O NOTĂ se folosește pentru a explica practici care nu se asociază unor vătămări corporale sau care pot îmbunătăți utilizările produsului.


1.1.2 Etichetă adezivă de siguranță, pe scanner

Instrucțiunile privind siguranța sunt incluse cu scannerul; ele atrag atenția asupra posibilelor pericole/pericole reziduale.

Instrucțiunile de pe eticheta adezivă de siguranță de pe scanner trebuie respectate în toate împrejurările. Dacă etichetele de siguranță se estompează sau se deteriorează pe durata de viață a scannerului, ele trebuie înlocuite imediate cu etichete adezive noi. Trebuie verificate periodic pentru a asigura că sunt

complete și lizibile. Din primul moment în care semnele nu pot fi recunoscute imediat sau nu pot fi înțelese dintr-o privire, scannerul optic 3D trebuie scos din funcțiune până la instalarea unor semne noi.

Pictogramele pentru avertizări, interdicții și cerințe de pe scanner și ce înseamnă ele:

Simbol	Înțeles
	Pericol de strivire Această pictogramă se află în zona brațului pivotant și avertizează cu privire la un posibil pericol de strivire între scanner și brațul pivotant.

1.2 Etichetare

Textul plăcuței de identificare identifică în mod clar scannerul. Marcaj CE conform cu:

- Directiva 2014/30/UE privind compatibilitatea electromagnetică
- Directiva 2014/35/UE privind echipamentele electronice în anumite limite de tensiune (joasă tensiune)
- Directiva 2011/65/UE RoHS

1.3 Asistență clienți

În cazul unor probleme tehnice, contactați departamentul de asistență clienți. Sau contactați direct CADstar Technology. Link: www.cadstar.dental

CADstar Technology Headquarters, Grasslau 30, 5500 Bischofshofen, Austria

1.4 Instrucțiuni privind siguranța pentru fiecare fază de utilizare în parte

1.4.1 Transport și instalare

- Scannerul poate fi transportat doar dacă a fost ambalat și fixat în mod corespunzător.
- La manipularea scannerului, asigurați-vă că acesta nu se îndoaie, mai ales la staționare după transport.
- Scannerul este proiectat să fie montat la o înălțime ergonomică. (Respectați reglementările din țara dvs., referitoare la protecția angajaților).
- La așezarea cablurilor, asigurați-vă că nu există pericol de împiedicare. Așezați întotdeauna cablurile de-a lungul pereților. Cablurile nu pot fi distribuite în niciun caz în așa fel încât să fie tensionate sau deformat.
- Amplasarea scannerului trebuie aleasă astfel încât să nu existe vibrații pe durata acțiunii de scanare, mai exact capacitatea portantă a bazei selectate (banc de lucru, masă etc.) trebuie să fie de cel puțin două ori valoarea indicată în specificațiile tehnice și trebuie să absoarbă toate vibrațiile.
- La montarea dispozitivului trebuie să se țină cont de lumina ambientală. Nu trebuie să apară nicio modificare a luminii ambiante pe durata acțiunii de scanare, de exemplu modificări cauzate de umbre de la arbori sau jaluzele. În plus, trebuie să se evite luminile de neon sau lumina directă a soarelui.
- Scannerul nu trebuie utilizat în încăperi umede.
- Niciun lichid nu trebuie să intre în contact cu scannerul. Nu puneți niciun vas cu lichid pe scanner.

1.4.2 Instalare și utilizare

- Personalul utilizator și cel responsabil cu întreținerea trebuie să fie instruit periodic în legătură cu utilizarea sistemului și cu posibilele pericole. Personalul trebuie să citească manualul de utilizare.
- Înainte de fiecare pornire, asigurați-vă că nu există piese în raza de pivotare a brațului, în timp ce realizează o cursă de referință la activare.
- Nu lăsați copii în apropierea scannerului. Scannerul poate fi utilizat doar de personal instruit în acest sens.
- Scannerul optic 3D poate fi utilizat doar atunci când este curat și într-o stare de funcționare perfectă.
- Cablurile de alimentare electrică și distribuitoare nu trebuie să fie deteriorate sau strivite de alte obiecte.
- Defecțiunile sau deteriorările trebuie aduse imediat la cunoștința utilizatorului.
- Se interzice scoaterea, modificarea, ocolirea sau sustragerea de la orice dispozitiv de protecție, de siguranță sau de monitorizare.
- La utilizarea elementelor de inserție ale scannerului, atenție la posibilele pericole de strivire.
- Dacă scannerul nu este utilizat o perioadă îndelungată, deconectați-l de la sursa de alimentare electrică.
- Nu puneți niciun obiect sau niciun instrument pe scanner.
- Asigurați-vă că zona din jurul scannerului rămâne liberă și organizată. Toate obiectele și recipientele de care nu este nevoie pentru derularea activității trebuie scoase din zona scannerului.
- Se interzic urcarea pe scanner, precum și șederea sau statul în picioare pe acesta.



Brațul pivotant se va mișca la activarea scannerului. Nu întindeți mâna în zona de pericol, deoarece v-ați putea răni degetele.



Brațul pivotant se mișcă în timpul scanării. Nu întindeți mâna în zona de pericol, deoarece v-ați putea răni degetele.

1.4.3 Activități de întreținere, modificări și reparații realizate incorect

Nu se permite instalarea ulterioară a unor dispozitive suplimentare de la alți producători, cum nu se permite nici modificarea dispozitivelor de protecție fără a cere părerea CADstar Technology sau a producătorului dispozitivului suplimentar în cauză.

- Reparațiile scannerului pot fi realizate exclusiv de departamentul de asistență clienți al CADstar Technology.

1.5 Utilizare vizată

Utilizarea vizată a scannerului este reprezentată de măsurarea optică tridimensională a unor structuri umane duplicate, în combinație cu software-ul furnizat.

Se pot insera doar amprente și mulaje din gips ale fălcilor, precum și articuloare cu mulaje din gips (max. 1500 g) cu dimensiuni l x L x h: 200 mm x 200 mm x

150 mm. Se pot utiliza doar accesoriile recomandate de CADstar Technology. Scannerul este produs pentru a fi utilizat în laboratoare dentare.

Orice altă utilizare necesită consimțământul în scris al CADstar Technology. Utilizarea incorectă poate reprezenta un pericol pentru siguranța persoanelor și poate duce la deteriorarea scannerului. Produsul nu este un dispozitiv cu funcționare automată; trebuie încărcat manual. În plus, în cazul nerespectării utilizării vizate se exclud orice fel de cereri de despăgubire și de garanție.

1.6 Potențială utilizare greșită

Informațiile din acest document descriu proprietățile produsului, dar nu le garantează. Nu se va accepta nicio cerere de despăgubire și garanție în cazul daunelor cauzate de:

- Utilizarea incorectă a scannerului.
- Nerespectarea instrucțiunilor de utilizare.
- Modificări neautorizate aduse scannerului.
- Intervenție asupra scannerului și lucrul cu scannerul realizate incorect.
- Reparații realizate incorect.
- Modificare neautorizată, incorectă a parametrilor de funcționare.
- Evenimente catastrofice, impact cu obiecte străine și forță majoră.

1.7 Mediul vizat

Limitele de utilizare a scannerului sunt următoarele:

- Utilizare exclusiv în spații interioare
- Temperatură ambientă: 5 °C până la 35 °C
- Umiditate relativă: până la 31 °C 20 % - 80 % la temperaturi de până la 35°C maxim 20-50% descreștere lineară - neadecvat pentru încăperi cu umezeală, fără condens
- Fără pâlpâiri ale luminii (de exemplu, iluminat fluorescent; jaluzele care se mișcă; umbre de la copacii mișcați de vânt).
- Luminozitate ambientală maximă 500 de lucși. Fără lumină directă a soarelui în zona de scanare
- Mediu curat, fără praf
- Loc de instalare orizontal pe o spațiu de lucru stabil, care absoarbe vibrațiile
- Altitudine maximă de instalare <3000m deasupra nivelului mării



1.8 Responsabilitățile utilizatorului

Utilizatorul răspunde de utilizarea în condiții de siguranță a scannerului.

- Asigurați-vă că doar persoane formate, instruite sau calificate lucrează cu scannerul.
- Asigurați-vă că fiecare persoană care lucrează pentru prima oară cu scannerul a citit și a înțeles acest manual de utilizare.
- Atrageți o atenție deosebită asupra instrucțiunilor de siguranță din acest manual și de pe scanner.
- Păstrați manualul de utilizare în zona de lângă scanner și transmiteți-l angajaților noi.
- Asigurați-vă că nimeni nu lucrează cu scannerul fără să aibă calificarea profesională necesară în acest sens.
- Personalul utilizator trebuie instruit periodic în legătură cu modul de lucru cu scannerul în condiții de siguranță.
- Vă rugăm să respectați reglementările naționale pentru protejarea angajaților de sex feminin.
- La efectuarea activităților de service, întreținere sau curățare a scannerului, acesta trebuie deconectat de la sursa de alimentare electrică.
- Reparațiile pot fi realizate exclusiv de un agent de service autorizat
- Asigurați-vă că observațiile atașate la livrarea acestuia rămân lizibile. Semnele de avertizare care lipsesc și care sunt deteriorate trebuie înlocuite imediat.

1.9 Calificări ale personalului

Acest manual este destinat personalului utilizator și celui care se ocupă de întreținerea scannerului. Personalul utilizator și cel care se ocupă de întreținere vor fi desemnați de operator și trebuie să aibă următoarele calificări:

Personalul care se ocupă de întreținere:

- Cunoștințe tehnice de bază
- Parcurgerea și înțelegerea acestor instrucțiuni de utilizare și de întreținere reprezintă o condiție prealabilă.
- Persoana trebuie să fie suficient de puternică pentru a ridica unitatea și a o amplasa la locul final al acesteia.
- Activitățile de inspecție și de curățenie pot fi realizate exclusiv de specialiști tehnici care au instruire specifică produsului sau sub îndrumarea departamentului de asistență clienți

Utilizatori:

- Instruire privind produsul
- Instruire periodică privind siguranța

1.10 Responsabilitățile personalului

- Instrucțiunile privind siguranța și de utilizare, cuprinse în acest manual de utilizare, trebuie respectate în permanență.
- Acest scanner poate fi utilizat exclusiv de personal calificat în mod corespunzător. Acești angajați trebuie să cunoască toate instrucțiunile privind siguranța și măsurile corespunzătoare din acest manual de utilizare și de pe scanner, pentru utilizare, întreținere și curățenie.
- Scannerul optic trebuie deconectat de la sursa de alimentare electrică înainte de efectuarea lucrărilor de curățare, întreținere și reparații.

1.11 Echipament de protecție a personalului

Scannerul 3D este proiectat în așa fel încât persoanele care lucrează cu scannerul să nu necesite niciun echipament de protecție suplimentar în afară de cele necesare în mod standard pentru utilizator (de exemplu, îmbrăcăminte de lucru, încălțăminte de protecție etc.).

- Persoanele care desfășoară activități de curățare și de întreținere trebuie să respecte măsurile precizate cu privire la agenții de curățare respectivi (de exemplu, mănuși pentru persoanele care efectuează curățarea; protecție la împrăscare etc.).

2. Transport și instalare



În primul rând, asigurați-vă că ambalajul nu este deteriorat. Dacă acesta este deteriorat, înregistrați deteriorarea într-un document și luați legătura cu vânzătorul. În timpul transportului se impune atenție la avertizările de pe ambalaj. Dispozitivul trebuie transportat sau depozitat în așa fel încât să fie bine protejat, uscat și într-o poziție verticală în ambalaj.

În cazul unor perioade de depozitare îndelungate, dispozitivul trebuie depozitat la loc uscat, în ambalajul original. Atenție, respectați cerințele de depozitare precizate în specificație.

**NOTĂ!**

Transportați scannerul doar în ambalajul original, pentru a evita deteriorarea dispozitivului.

2.1 Dezambalarea și montarea dispozitivului

În primul rând, deschideți partea de sus a cutiei și scoateți capacul superior din spumă, folosindu-vă de accesoriile opționale. Apoi puteți ține scannerul de la cele două adâncituri și trageți-l din cutie. În acest punct se poate scoate componenta de fixare pentru braț, accesoriile standard se află în interiorul componentei de fixare.



Păstrați ambalajul pentru transport în viitor (repoziționare, service, ...).



Eliminați deșeurile într-un mod ecologic.

2.2 Selectarea unei zone de montare

Deoarece mediul în care se află scannerul are o influență semnificativă asupra produsului, atenție la selectarea locului de instalare a acestuia și respectați următoarele aspecte:

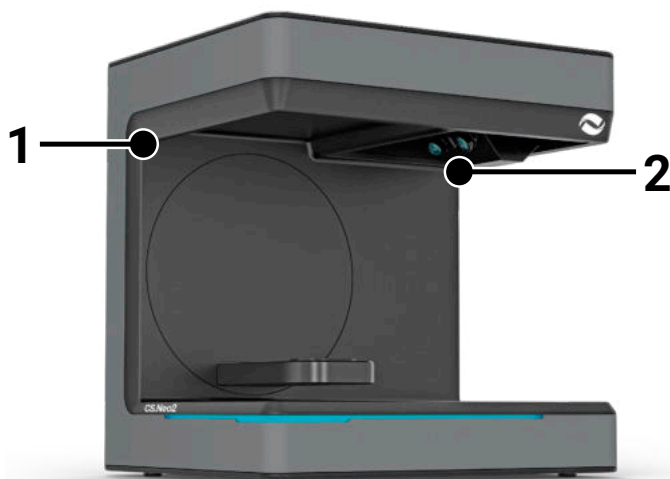
- Evitați condiții de iluminat care se schimbă repede, de exemplu umbre mobile, iluminat pâlpâitor de birou (lămpi fluorescente, LED-uri...).
- Nu expuneți niciodată scannerul luminii directe a soarelui.
- Evitați proximitatea directă față de sursele de căldură (de exemplu, radiatoare, alte dispozitive electrice, șeminee etc.).
- Asigurați-vă că locul de instalare este uniform și nu prezintă vibrații.
- Trebuie să se asigure că nu există niciun fel de expunere extraordinară la praf, respectiv la impurități care reduc randamentul sau gaze corozive prezente la locul de instalare.
- Selectați un loc de montare sau de instalare în care lichidele sau obiectele nu pot intra în scanner în nicio împrejurare (de exemplu, condens, scurgeri de pe acoperiș, apă de udat etc.).
- Asigurați-vă că fișa de conectare la rețeaua de alimentare este accesibilă în permanență.
- Scannerul se poate utiliza exclusiv în spații interioare.



Informație: Lumina externă puternică sau lumina soarelui poate afecta rezultatul scanării.

Acest lucru poate duce la o calitate slabă a scanării sau la abateri nedorite ale rezultatului măsurătorii.

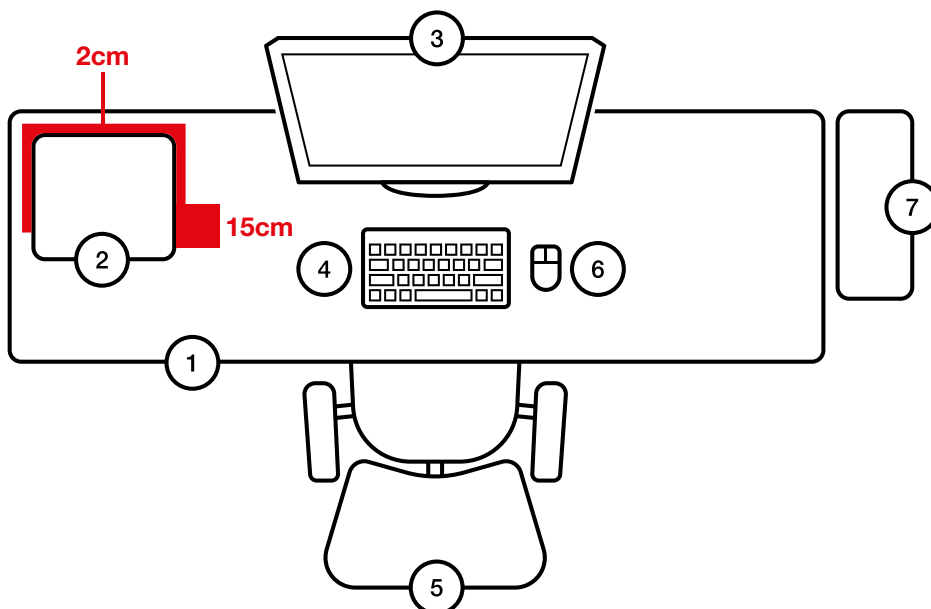
2.3 Puncte de la care se poate prinde pentru mutare



Cele două puncte (1) și (2) sunt prevăzute pentru a muta scannerul. Țineți scannerul de la aceste două puncte, cu mâna stângă și cu mâna dreaptă. Scannerul cântărește 11-13 kg și poate fi dus de o persoană. Partea deschisă a scannerului trebuie să fie în direcția opusă corpului.

2.4 Exemplu de instalare

Următoarea figură reprezintă o simplă reprezentare schematică menită să ofere o imagine ilustrativă a sistemului general. Atenție la o dispunere ergonomică, precum și la distanțele minime pentru scanner, așa cum sunt indicate (roșu).



Nr.	Descriere
1	Birou
2	Scanner optic 3D
3	Ecran computer
4	Tastatură
5	Scaun de birou
6	Mouse
7	Computer



Unitatea de alimentare electrică poate fi conectată doar la o priză cu contact de protecție

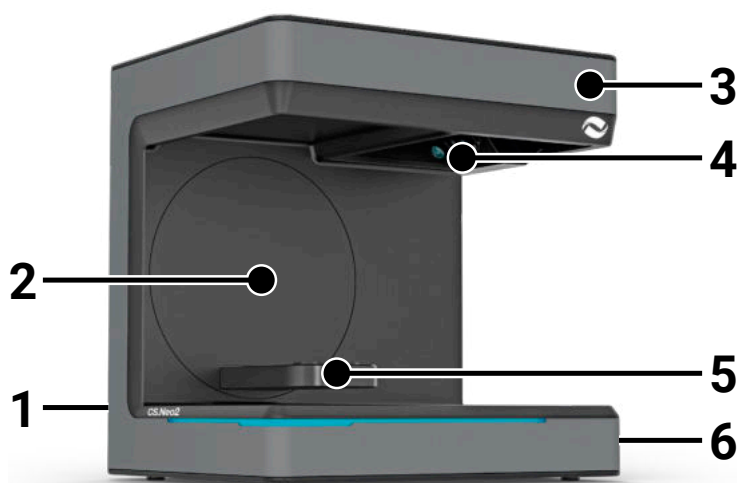


Cablurile trebuie dispuse de-a lungul pereților

3. Prezentare generală a dispozitivului și conexiuni

3.1 Componentele scannerului

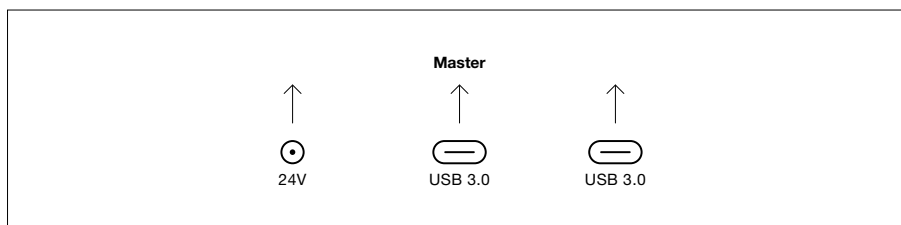
Acestea sunt principalele componente din scanner



Nr.	Descriere
1	Regletă conectori
2	Portbraț
3	Carcasă
4	Unitate de scanare optică
5	Suport model (CS.Neo2 Max = două suporturi)
6	Buton de pornire/oprire (On/Off)

3.2 Regletă conectori scanner


Regleta pentru conectori a scannerului se află în partea din spate a acestuia și este proiectată după cum urmează:



Nr.	Descriere
1	Priză de alimentare electrică de 24V CC
2	Unitate principală port USB C 3.0
3	Unitate secundară port USB C 3.0 (doar pentru CS.Neo2 Max)

3.3 Unitate de alimentare electrică

Date tehnice ale unității de alimentare electrică

	Proprietate	Valoare
	Producător	MEAN WELL
	Tip	GST90A 24 – P1M
	Intrare	90 ~ 264VCA 127 ~ 370VCC 47 ~ 63Hz
	Putere	90W
	Ieșire	24 V, 3,75 A



Utilizați exclusiv sursa de alimentare electrică și cablul de alimentare furnizate. Unitatea de alimentare electrică poate fi conectată doar la o priză cu contact de protecție.

3.4 Cabluri USB

Dacă este posibil, utilizați cablul furnizat. Dacă utilizați propriul cablu USB, atenție la proprietățile următoare. Cablu USB C Full 5Gbit USB C cu protecție, maxim 1,4m. Pentru prelungitoare mai mari de 1,4m, trebuie să se utilizeze un cablu prelungitor USB activ.



Pentru scanerul cu 2 cabluri USB, asigurați-vă că este disponibilă lățime de bandă completă pentru fiecare dintre cele 2 cabluri. (Deseori, conectorii USB împart viteza)

3.5 Accesorii

Fiecare scanner este livrat cu accesoriile standard. Pentru anumite funcții se pot achiziționa accesorii suplimentare.



NOTĂ! Utilizați exclusiv accesorii originale.

În caz contrar, ar putea fi afectate prevederile referitoare la garanție și la riscurile privind răspunderea pentru produs.



Atenție, suprafața plăcii de calibrare nu trebuie să fie deteriorată.

4. Funcționare și instalare

Scannerul optic 3D este proiectat pentru domeniul dentar, pentru a măsura și a digitaliza modele dentare tridimensionale. Pe baza principiului „scanării cu lumină în bandă”, un proiector proiectează un tipar de bandă de lumină pe obiectul care urmează să fie măsurat. Deformarea tiparului de lumină, cauzată de structura modelului, este înregistrată de patru camere de înaltă rezoluție instalate în unitatea de scanare, prelucrate și astfel digitalizate într-un model virtual și tridimensional.

4.1 Instalarea scannerului

După montarea scannerului, conectați-l cu unul sau două cabluri USB, apoi conectați sursa de alimentare de 24V la rețeaua de alimentare externă și conectați sursa de alimentare electrică.

În cazul în care cablurile USB sunt prea scurte, se pot prelungi cu prelungitoare active speciale. Contactați CADstar pentru produsele corespunzătoare. Notă importantă pentru dispozitivele cu două conexiuni USB, trebuie să se asigure că cele două porturi USB de pe PC nu aparțin aceleiași controler USB / HUB, deoarece scannerul are nevoie de lățimea de bandă completă de 2x 5Gbit/s. Acest lucru înseamnă că trebuie să fie disponibil un total de 10 Gbit/s.



4.2 Instalarea computerului

Software-ul scannerului necesită cel puțin Windows 10 sau o versiune mai recentă. Asigurați-vă că toate driverele sunt actualizate (placă grafică, host USB, placă de bază etc.). Respectați cerințele minime ale stației de lucru PC, pentru a asigura funcționarea fără probleme a scannerului.



Consultați manualul de utilizare a PC-ului.

4.3 Instalarea software-ului

Software-ul de scanare este deja preinstalat pe stațiile de lucru furnizate. În caz contrar, puteți obține software-ul de la distribuitorul dvs. sau departamentul nostru de asistență clienți vi-l poate instala de la distanță. Contactați departamentul de asistență clienți al CADstar Technology în acest sens. Vezi capitolul „Asistență clienți”.

Rețineți că, pentru a obține licența software-ului, este nevoie de o conexiune la internet. Acest lucru trebuie realizat pentru fiecare nouă instalare.



Pentru instalare, este nevoie de privilegii de administrator.



Serviciul nostru de asistență funcționează cu „TeamViewer”. Vă rugăm să descărcați acest software (www.teamviewer.com). După instalare, vă rugăm să aveți la îndemână numele de utilizator și parola, pentru ca serviciul nostru de asistență să se poată conecta la computerul dvs.

5. Proces de lucru

După pornirea software-ului, trebuie să realizați calibrarea scannerului din meniul Opțiuni. În acest sens, puneți placa de calibrare în scanner și începeți calibrarea.

Prima pagină software scanare



Opțiuni > Calibrare scanner SAU Meniu



Opțiuni > Calibrare scanner

După calibrare, puteți crea un caz nou. Următoarele câmpuri sunt obligatorii și trebuie selectate sau completate:

- Pacient
- Doctor
- Tip de model
- Tip de mod de scanare



Pentru detalii suplimentare, vă rugăm să consultați manualul de utilizare a software-ului.

După ce ați ajuns în meniul de scanare, puteți scana un model prezent în scanner.

5.1 Recunoașterea datelor de identificare

Fiecare accesoriu are propria recunoaștere a datelor de identificare prin care scannerul poate determina ce anume se află în scanner la momentul respectiv și, astfel, poate desfășura funcțiile corespunzătoare.



Atenție la contactele aurii expuse (24V). Nu le scurtcircuitați!

5.2 Bară indicatoare cu LED

Bara cu LED este folosită pentru semnalizarea stărilor din software.

- Alb cu aprindere intermitentă > Fără conexiune software
- Roșu > Eroare
- Curcubeu > Calibrare
- Bară de progres albastră > Indicator de progres al scanării

5.3 Oprirea scannerului



Pentru a opri scannerul, apăsați pe butonul On/Off timp de cel puțin 1 secundă.

6. Întrebări frecvente privind detectarea și soluționarea problemelor

Scannerul nu pornește:

- Dacă scannerul nu se aprinde la pornire, verificați alimentarea electrică și vedeți dacă adaptorul de CA este conectat la scanner.
- Contactați serviciul nostru de asistență

Scannerul nu este recunoscut pe PC:

- Asigurați-vă că utilizați cabluri USB bune cu o lungime maximă de 1,5m (dacă nu se folosesc prelungitoare USB active de la CADstar). Schimbați cablul pentru a finaliza un test
- Verificați pentru a vă asigura că portul USB este conform cu specificația USB3.0
- Verificați starea driverului din managerul de dispozitiv, pentru a vă asigura că este actualizat
- Asigurați-vă că LED-urile de pe dispozitiv sunt pornite
- Reporniți PC-ul și scannerul
- Contactați serviciul nostru de asistență

Pe rezultatul scanării există dungi vizibile:

- Atenție la modificările de lumină pe durata scanării, deoarece acestea pot duce la apariția de dungi. Acest lucru este deseori cauzat de jaluzele care se mișcă în timpul scanării sau de lumina soarelui care fluctuează din cauza copacilor sau de reflexiile din ferestre.
- Lumina pâlpâitoare care poate fi emisă, de exemplu, tuburi de neon sau iluminat cu LED. Pentru a verifica acest aspect, puteți înregistra cu încetinitorul, cu ajutorul smartphone-ului. Dacă este vizibilă lumină care pâlpâie, căutați și eliminați cauza acesteia.

Pe rezultatul scanării există găuri vizibile:

- Utilizați funcția „Integrare” pentru această zonă, pentru a închide gaura.
- Dacă pe obiectul care urmează să fie scanat există pete închise la culoare, folosiți pulverizatorul nostru pentru scanare pentru a pulveriza soluție.




7. Activitate de curățare și de întreținere pentru utilizator

Pentru a asigura o durată de viață îndelungată a produsului și acuratețea scanării, dispozitivul trebuie curățat și calibrat periodic.





7.1 Curățare

Înainte de curățare, scannerul optic 3D trebuie scos din funcțiune. În acest sens, deconectați scannerul de la alimentarea electrică. Pentru curățare, utilizați doar cârpe uscate. Scannerul poate fi aspirat cu aspiratorul sau curățat cu jet de aer. Totuși, trebuie să fiți atent(ă) la elementele optice, pentru ca acestea să nu ajungă să fie aliniat incorect (focalizarea camerei). Pentru a preveni deteriorarea senzorilor optici amplasați în partea de sus a scannerului, aceștia pot fi doar șterși foarte ușor de praf, cu ajutorul unei cârpe din microfibră.

	NOTĂ! Sistemul de senzori optici din partea de sus a scannerului este extrem de sensibil.
	PERICOL! Pornire accidentală a scannerului în timpul curățării.
	Nu folosiți apă, abur sau agenți de curățare pentru a realiza curățenia.


7.2 Recalibrare

Pentru a garanta un rezultat consecvent al scanărilor, se recomandă utilizarea plăcii de calibrare furnizate pentru realizarea unei calibrări săptămânale. În plus, scannerul trebuie calibrat după transport sau dacă este mutat într-un alt loc. Instrucțiunile referitoare la recalibrarea scannerului sunt disponibile în manualul software-ului nostru. Începeți procesul de scanare folosind software-ul și respectând pas cu pas instrucțiunile software-ului. În cazul în care aveți nelămuriri, contactați departamentul nostru de asistență clienți (vezi capitolul „Asistență clienți”).

	Asigurați-vă că nu sunt deteriorate cercurile de pe placa de sticlă; dacă sunt, calibrarea nu mai este posibilă.
	Nu introduceți placa de calibrare, deoarece atingerea cercurilor ar putea afecta acuratețea calibrării.


7.3 Reparare / Detectarea și soluționarea problemelor

Scannerul optic 3D conține componente și tehnologie cu senzori sensibile. Prin urmare, lucrările de reparații pot fi realizate doar de personalul de service CADstar Technology.

	Dacă defecțiunile nu se rezolvă după repornirea scannerului, contactați departamentul nostru de asistență clienți (vezi capitolul „Asistență clienți”).
---	---

8. Eliminare

Pentru eliminare, scannerul poate fi returnat distribuitorului sau producătorului. Prin urmare, dacă aveți întrebări referitoare la eliminarea corespunzătoare, vă rugăm să luați legătura cu departamentul nostru de asistență clienți.

	Vă rugăm să rețineți că scannerul este un dispozitiv electronic a cărui utilizare este destinată exclusiv mediilor comerciale/industriale. Așadar, nu se permite elimina prin intermediul autorităților de gestionare a deșeurilor municipale.
---	---



9. Date tehnice

Generalități

	CS.Neo2	CS.Neo2 Pro	CS.Neo2 Max
Producător	CADstar Technology GmbH	CADstar Technology GmbH	CADstar Technology GmbH
Acceptare	2023	2023	2023
Greutate	11,40 kg	11,50 kg	12,60 kg
Dimensiuni (l x h x d)	396 x 405 x 337 mm	396 x 405 x 337 mm	396 x 405 x 337 mm

Mediu

	CS.Neo2	CS.Neo2 Pro	CS.Neo2 Max
Interval al temperaturilor de funcționare	18 °C până la 35 °C	18 °C până la 35 °C	18 °C până la 35 °C
Interval al temperaturilor de depozitare	-15 °C până la 50 °C	-15 °C până la 50 °C	-15 °C până la 50 °C
Altitudine	0 până la 3000 m	0 până la 3000 m	0 până la 3000 m
Nivel de poluare	2	2	2

Sisteme electrice

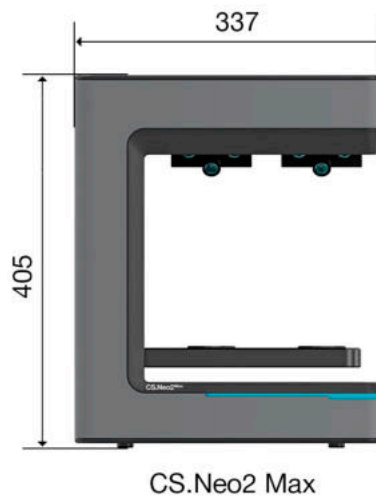
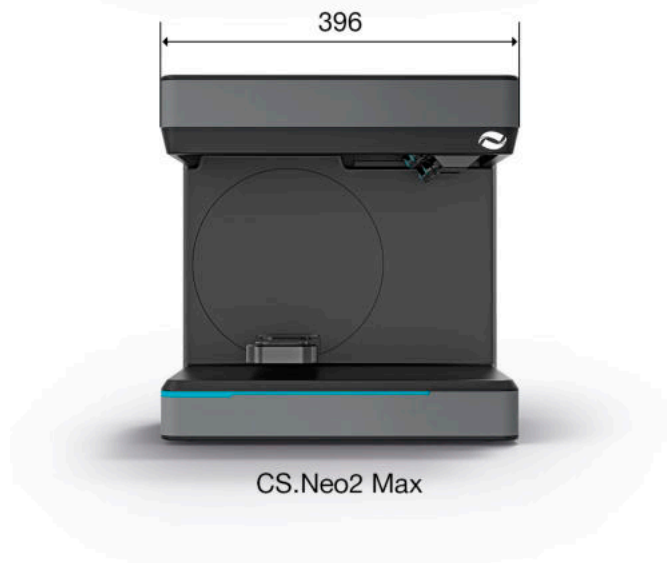
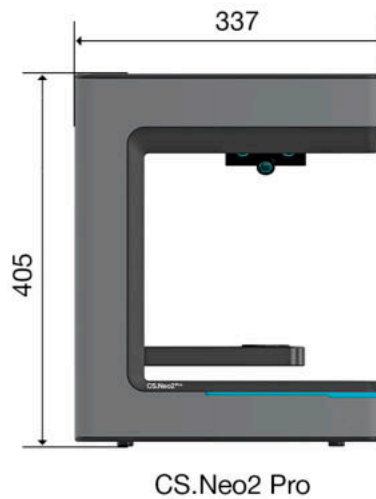
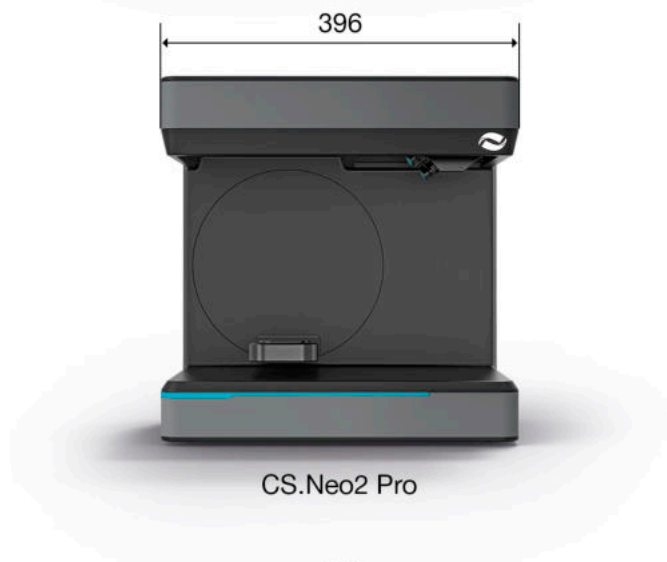
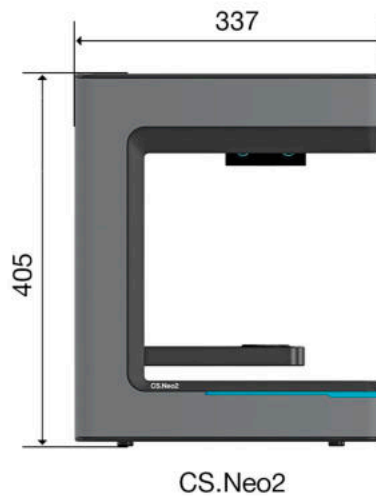
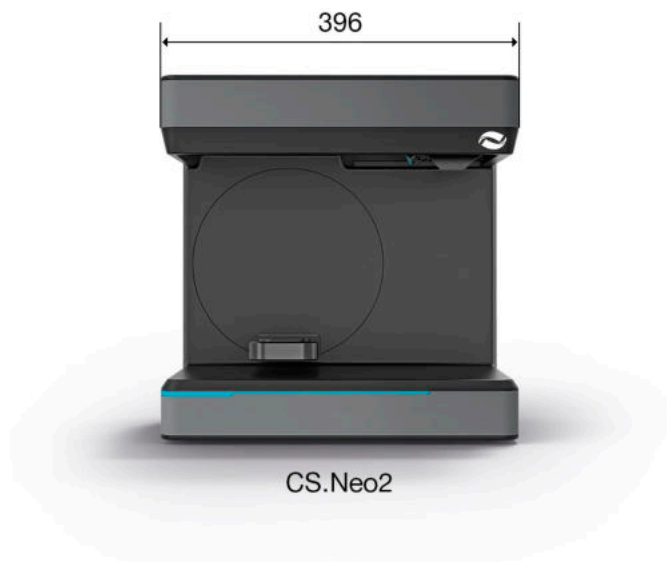
	CS.Neo2	CS.Neo2 Pro	CS.Neo2 Max
Tensiune de alimentare de la rețea	90 - 264VCA	90 - 264VCA	90 - 264VCA
Frecvență rețea	47 - 63Hz	47 - 63Hz	47 - 63Hz
Unitate de alimentare electrică	90 Wh	90 Wh	90 Wh
Tensiune scanner	24V CC +10%	24V CC +10%	24V CC +10%
Consum de putere la funcționare	35 Wh	35 Wh	45 Wh
Consum de putere în standby	1 Wh	1 Wh	1 Wh
Cameră	2x 6Mpix	4x 6Mpix	2x 4x 6Mpix
Tip de conexiune USB	USB 3.0 TIP C (5Gbit/s)	USB 3.0 TIP C (5Gbit/s)	USB 3.0 TIP C (5Gbit/s)
Număr de conexiuni USB	1	1	2

Scanner

	CS.Neo2	CS.Neo2 Pro	CS.Neo2 Max
Interval de măsură (l x h x d)	100 x 100 x 100 mm	100 x 100 x 100 mm	2x 100x100x100mm
Dimensiune maximă obiect	200 x 200 x 150 mm	200 x 200 x 150 mm	300x200x150mm
Greutate maximă obiect	2 kg	2 kg	2 kg
Acuratețe absolută	<5 μ	<5 μ	<5 μ
Acuratețe la măsurare repetată	<2 μ	<2 μ	<2 μ
Format ieșire	STL, PLY	STL, PLY	STL, PLY



9.1 Diagrame produs și aprobări





10. Declarație de conformitate

(Declarație de conformitate CE originală)

Producător: CADstar Technology GmbH Grasslau 30 5500 Bischofshofen	Semnatar autorizat: Georg Dick (director general)
Produs: Scanner optic 3D CS.Neo2, CS.Neo2 Pro, CS.Neo2 Max	Explicație: CADstar Technology GmbH confirmă pe propria răspundere că produsul prezentat aici respectă cerințele de bază ale Directivei 2014/30/UE privind compatibilitatea electromagnetică, ale 2014/35/UE privind echipamente în anumite limite de tensiune și ale reglementărilor privind restricționarea utilizării anumitor substanțe periculoase în echipamentele electrice și electronice conform Directivei 2011/65/UE RoHS privind echipamentele electronice.
Standarde aplicabile:	
Cerințe privind siguranța	DIN EN IEC62368-1: 2022-09.
Compatibilitate electromagnetică	DIN EN 55032:2022-08 DIN EN IEC 61000 3-2:2019-12 DIN EN IEC 61000-3-3:2020-07 DIN EN IEC 61000-4-2: 2009-12 DIN EN IEC 61000 4-3:2021-11 DIN EN IEC 61000-4-4:2013-04 DIN EN IEC 61000-4-5:2019-03 DIN EN IEC 61000-4-6:2014-08 DIN EN IEC 61000-4-8:2010-11 DIN EN IEC 61000-4-11:2021-10
RoHS	EN IEC 63000:2018; Directiva UE 2011/65/UE:2023
	
Bischofshofen, ianuarie 2023	Gerog Dick
(Locul și data declarației)	(Numele și semnătura semnatarului autorizat)



Spis treści

1. Informacje ogólne i dotyczące bezpieczeństwa	2
1.1 Symbole i sposoby prezentacji	2
1.2 Etykiety	3
1.3 Obsługa klienta	3
1.4 Wskazówki bezpieczeństwa dla poszczególnych faz eksploatacji	3
1.5 Użytkowanie zgodne z przeznaczeniem	4
1.6 Potencjalne użycie niezgodne z przeznaczeniem	4
1.7 Przewidziane środowisko pracy	4
1.8 Obowiązki operatora	5
1.9 Kwalifikacje personelu	5
1.10 Obowiązki personelu	5
1.11 Środki ochrony indywidualnej	5
2. Transport i instalacja	5
2.1 Rozpakowanie i ustawienie urządzenia	6
2.2 Wybór miejsca ustawienia	6
2.3 Uchwyty do przenoszenia	7
2.4 Przykład montażu	7
3. Przegląd urządzenia i złącz	8
3.1 Elementy skanera	8
3.2 Listwa przyłączeniowa skanera	8
3.3 Zasilacz	9
3.4 Przewody USB	9
3.5 Akcesoria	9
4. Działanie i instalacja	9
4.1 Instalacja skanera	9
4.2 Instalacja komputera	10
4.3 Instalacja oprogramowania	10
5. Praca	10
5.1 Rozpoznawanie ID	11
5.2 Wskaźnik LED	11
5.3 Wyłączanie skanera	11
6. FAQ – Rozwiązywanie problemów	11
7. Prace porządkowe i konserwacyjne wykonywane przez operatora	11
7.1 Czyszczenie	12
7.2 Ponowna kalibracja	12
7.3 Naprawa/rozwiązywanie problemów	12
8. Utylizacja	12
9. Dane techniczne	13
9.1 Schemat produktu i dopuszczenia	14

1. Informacje ogólne i dotyczące bezpieczeństwa

Niniejsza instrukcja obsługi jest skonstruowana zgodnie z obowiązującymi przepisami UE i zawiera wskazówki dotyczące bezpieczeństwa. Za przestrzeganie wskazówek bezpieczeństwa odpowiedzialne są poszczególne osoby. Ten rozdział zawiera ogólne wprowadzenie do wskazówek bezpieczeństwa. Są w nim również zawarte ważne informacje dotyczące zapobiegania wypadkom.

Ten optyczny skaner 3D (zwany dalej skanerem) jest najnowocześniejszym urządzeniem pod względem bezpieczeństwa personelu obsługującego i niezawodności działania. Skaner może jednak stwarzać zagrożenia, jeżeli będzie używany przez nieodpowiednio przeszkolony personel lub jeżeli będzie używany niewłaściwie albo niezgodnie z przeznaczeniem. O możliwych zagrożeniach piszemy wyraźnie w rozdziale „Informacje ogólne i dotyczące bezpieczeństwa”, jak również w innych miejscach instrukcji obsługi.

Niniejsza instrukcja obsługi zawiera ważne informacje dotyczące instalacji, uruchomienia, obsługi, konserwacji i utylizacji skanera.

Niniejsza instrukcja obsługi ma na celu zapewnienie użytkownikowi bezpiecznej pracy ze skanerem.

Przestrzeganie instrukcji zawartych w tym dokumencie pomoże uniknąć zagrożeń i zapobiec uszkodzeniu skanera.

Wszystkie osoby pracujące przy skanerze muszą zapoznać się z instrukcją obsługi i przestrzegać istotnych dla nich informacji i wskazówek. Ta instrukcja obsługi musi być zawsze kompletna i w pełni czytelna.

CADstar Technology nie ponosi odpowiedzialności za ewentualne błędy typograficzne w niniejszej instrukcji. Podobnie nie ponosi odpowiedzialności za szkody, które można bezpośrednio lub pośrednio przypisać dostawie. Nawet po zachowaniu najwyższej staranności przy projektowaniu i budowie skanera oraz po uwzględnieniu wszystkich kwestii związanych z bezpieczeństwem mogą występować zagrożenia szczątkowe. Zostały one ocenione za pomocą oceny ryzyka. W tym rozdziale wymieniono wszystkie ryzyka szczątkowe i ostrzeżenia z oceny ryzyka.




Informacje zawarte w tym dokumencie mogą ulec zmianie bez wcześniejszego powiadomienia. Podczas przygotowywania tego dokumentu dołożono wszelkich starań, aby zapewnić dokładność jego treści. Wszelkie oświadczenia, informacje lub zalecenia zawarte w niniejszym dokumencie nie stanowią obietnicy właściwości jakiegokolwiek rodzaju, ani wyrażonej, ani domniemanej.

1.1 Symbole i sposoby prezentacji

1.1.1 Ostrzeżenia i informacje dodatkowe

Ostrzeżenia

Sekcje oznaczone w tym dokumencie jako „UWAGA”, „OSTROŻNIE” i „NIEBEZPIECZEŃSTWO” nie zawierają wszystkich instrukcji bezpieczeństwa, których należy przestrzegać. Są tylko uzupełnieniem do ogólnych wskazówek bezpieczeństwa. CADstar nie ponosi odpowiedzialności za skutki spowodowane naruszeniem ogólnych wymogów bezpieczeństwa lub norm bezpieczeństwa dotyczących projektowania, produkcji i użytkowania. W niniejszym dokumencie rozrózono następujące poziomy ostrzeżeń, w zależności od stopnia i prawdopodobieństwa zagrożenia:

Symbol ostrzegawczy	Opis
 NIEBEZPIECZEŃSTWO	Wskazuje na poważne niebezpieczeństwo, mogące skutkować śmiercią lub poważnymi obrażeniami, jeżeli nie zostanie wyeliminowane.
 OSTRZEŻENIE	Wskazuje na niewielkie zagrożenie, które może spowodować niewielkie obrażenia, jeżeli nie zostanie wyeliminowane.
 UWAGA	Służy do objaśnienia praktyk, które nie są związane z obrażeniami ciała lub mają na celu usprawnienie pracy z produktem.


1.1.2 Naklejka bezpieczeństwa na skanerze

Do skanera dołączone są instrukcje bezpieczeństwa, które zwracają uwagę na możliwe niebezpieczeństwa/ryzyko szczątkowe.

W każdym wypadku należy przestrzegać wskazówek zawartych na naklejce bezpieczeństwa na skanerze. Jeżeli w okresie eksploatacji skanera naklejki bezpieczeństwa ulegną wyblaknięciu lub uszkodzeniu, należy je niezwłocznie wymienić na nowe. Należy kontrolować je w regularnych odstępach czasu, aby zapewnić

ich kompletność i czytelność. Gdy tylko znaki stają się nierozpoznawalne lub zrozumiałe na pierwszy rzut oka, należy wyłączyć z użytkowania optyczny skaner 3D do momentu umieszczenia nowych znaków.

Piktogramy ostrzeżeń, zakazów i zaleceń na skanerze oraz ich znaczenie:

Symbol	Znaczenie
	Zagrożenie zmiążdżeniem Ten piktogram znajduje się w obszarze ramienia obrotowego i ostrzega o możliwym zagrożeniu zmiążdżeniem między skanerem a ramieniem obrotowym.

1.2 Etykiety

Skaner można łatwo zidentyfikować dzięki zawartości tabliczki znamionowej. Oznakowane CE zgodnie z:

- dyrektywą EMC 2014/30/UE,
- dyrektywą niskonapięciową 2014/35/EU,
- dyrektywą RoHS 2011/65/EU.

1.3 Obsługa klienta

W przypadku problemów technicznych należy skontaktować się z obsługą klienta lub bezpośrednio z firmą CADstar Technology. Link: www.cadstar.dental

Siedziba główna CADstar Technology, Grasslau 30, 5500 Bischofshofen, Austria

1.4 Wskazówki bezpieczeństwa dla poszczególnych faz eksploatacji

1.4.1 Transport i instalacja

- Skaner można transportować tylko, jeśli został odpowiednio spakowany i zabezpieczony.
- Podczas obsługi skanera należy uważać, aby skaner się nie wygiął, zwłaszcza podczas odkładania na miejsce po transporcie.
- Skaner został zaprojektowany do ustawienia na ergonomicznej wysokości. (Należy przestrzegać przepisów BHP obowiązujących w danym kraju).
- Przy układaniu przewodów należy zwrócić uwagę, aby nie stwarzały one niebezpieczeństwa potknięcia się. Przewody należy zawsze układać wzdłuż ściany. W żadnym wypadku nie można układać przewodów tak, aby były naprężone lub zwiślały.
- Miejsce ustawienia skanera musi być tak dobrane, aby podczas operacji skanowania nie występowały drgania, tzn. nośność wybranej podstawy (stołu warsztatowego, stołu itp.) musi być co najmniej dwukrotnie większa od wartości podanej w specyfikacji technicznej i musi pochłaniać wszystkie drgania.
- Podczas ustawiania urządzenia należy wziąć pod uwagę oświetlenie otoczenia. Podczas skanowania nie może dochodzić do zmiany oświetlenia otoczenia, np. z powodu cieni drzew lub żaluzji. Należy unikać światła neonów lub bezpośredniego światła słonecznego.
- Nie wolno używać skanera w wilgotnych pomieszczeniach.
- Skaner nie może mieć kontaktu z cieczami. Na skanerze nie wolno ustawiać pojemników z cieczami.

1.4.2 Instalacja i działanie

- Personel obsługujący i konserwujący musi przechodzić regularne szkolenia w zakresie obsługi systemu i potencjalnych zagrożeń. Personel jest zobligowany do przeczytania instrukcji obsługi.
- Przed każdym uruchomieniem należy upewnić się, że w obszarze obrotu ramienia nie ma żadnych przedmiotów, ponieważ po włączeniu ramię wykonuje bieg referencyjny.
- Do skanera nie należy dopuszczać dzieci. Ze skanerem może pracować wyłącznie przeszkolony personel.
- Optycznego skanera 3D można używać tylko wtedy, gdy jest on w idealnym stanie i jest czysty.
- Przewody zasilające i przewody doprowadzające nie mogą być uszkodzone lub zgniecione przez inne przedmioty.
- Usterki lub uszkodzenia należy natychmiast zgłosić operatorowi.
- Usuwanie, modyfikowanie, omijanie lub obchodzenie wszelkich urządzeń ochronnych, zabezpieczających lub monitorujących jest zabronione.
- Podczas obsługi wkładów skanera należy pamiętać o możliwym zagrożeniu zmiążdżeniem.
- Jeśli skaner nie będzie używany przez dłuższy czas, należy odłączyć go od źródła zasilania.
- Na skanerze nie wolno umieszczać żadnych przedmiotów ani narzędzi.
- Należy upewnić się, że obszar wokół skanera jest czysty i uporządkowany. Wszystkie przedmioty i pojemniki niewymagane do wykonania przepływu pracy
- należy usunąć z obszaru skanera.
- Zabronione jest wchodzenie na skaner, jak również siadanie lub stanie na nim.



Ramię obrotowe będzie się poruszało po włączeniu skanera. Nie sięgać w obszar niebezpieczny, aby uniknąć obrażeń palców.



Ramię obrotowe porusza się podczas skanowania. Nie sięgać w obszar niebezpieczny, aby uniknąć obrażeń palców.

1.4.3 Nieprawidłowa konserwacja, modyfikacje i naprawy

Niedopuszczalna jest późniejsza instalacja dodatkowych urządzeń innych producentów ani modyfikacja urządzeń ochronnych bez konsultacji z CADstar Technology lub producentem danego urządzenia pomocniczego.

- Naprawy skanera mogą być wykonywane jedynie przez dział obsługi klienta firmy CADstar Technology.

1.5 Użytkowanie zgodne z przeznaczeniem

Przeznaczeniem skanera jest trójwymiarowy, optyczny pomiar powielonych struktur ludzkich w połączeniu z dostarczonym oprogramowaniem.

Można wkładać tylko wyciski i modele gipsowe szczęk, a także artykulatory z modelami gipsowymi (maks. 1500 g) o wymiarach szer. x dł. x wys.: 200 mm x 200 mm x

150 mm. Można korzystać wyłącznie z akcesoriów rekomendowanych przez CADstar Technology. Skaner jest przeznaczony do stosowania w laboratoriach dentystycznych.

Każde inne zastosowanie wymaga pisemnej zgody firmy CADstar Technology. Nieprawidłowe użytkowanie może stanowić zagrożenie dla ludzi i uszkodzić skaner. Produkt nie jest urządzeniem działającym automatycznie, musi być ładowany ręcznie. Ponadto wyklucza się wszelką odpowiedzialność i roszczenia gwarancyjne w przypadku zastosowania niezgodnego z przeznaczeniem.

1.6 Potencjalne użycie niezgodne z przeznaczeniem

Informacje zawarte w niniejszej dokumentacji opisują właściwości produktu, ale ich nie gwarantują. Nie ponosimy odpowiedzialności i nie uznajemy roszczeń gwarancyjnych za szkody spowodowane przez:

- nieprawidłowe użytkowanie skanera,
- nieprzestrzeganie instrukcji eksploatacji,
- nieautoryzowane modyfikacje skanera,
- nieprawidłową pracę ze skanerem,
- nieprawidłowo wykonane naprawy,
- nieautoryzowane, nieprawidłowe modyfikacje parametrów operacyjnych,
- wydarzenia katastroficzne, uderzenia przez ciała obce i działanie siły wyższej.

1.7 Przewidziane środowisko pracy

Ograniczenia użytkowania skanera są następujące:

- ze skanera można korzystać tylko w pomieszczeniach
- temperatura otoczenia: od 5°C do 35°C
- wilgotność względna: do 31°C – od 20% do 80%; przy temperaturze do 35°C maksymalnie od 20% do 50%; liniowo malejąca – nie nadaje się do wilgotnych pomieszczeń, bez kondensacji
- brak migającego światła (np. oświetlenie fluorescencyjne; poruszające się żaluzje; cienie drzew na wietrze)
- maksymalna jasność otoczenia 500 luksów brak bezpośredniego padania promieni słonecznych w obszarze skanowania
- czyste i pozbawione kurzu środowisko
- poziome miejsce montażu na stabilnym, pochłaniającym drgania stanowisku pracy
- maksymalna wysokość instalacji <3000 m nad poziomem morza.

1.8 Obowiązki operatora

Operator jest odpowiedzialny za bezpieczną pracę skanera.

- Należy upewnić się, że ze skanerem pracuje wyłącznie przeszkolony, wykształcony lub wykwalifikowany personel.
- Należy upewnić się, że każda osoba pracująca przy skanerze po raz pierwszy przeczytała i zrozumiała niniejszą instrukcję obsługi.
- Należy zwrócić szczególną uwagę na wskazówki dotyczące bezpieczeństwa zawarte w niniejszej instrukcji oraz znajdujące się na skanerze.
- Instrukcję obsługi należy przechowywać w pobliżu skanera i przekazywać ją nowym pracownikom.
- Należy upewnić się, że ze skanerem pracuje wyłącznie personel posiadający profesjonalne doświadczenie w tym zakresie.
- Personel obsługujący musi być w regularnych odstępach czasu szkolony w zakresie bezpiecznej pracy ze skanerem.
- Należy przestrzegać krajowych przepisów dotyczących ochrony pracowników płci żeńskiej.
- Podczas serwisowania, konserwacji lub czyszczenia skanera należy odłączyć go od źródła zasilania.
- Naprawy mogą być wykonywane wyłącznie przez certyfikowany serwis.
- Należy upewnić się, że informacje dołączone do skanera w momencie dostawy pozostały czytelne. Brakujące i uszkodzone znaki ostrzegawcze należy natychmiast wymienić.

1.9 Kwalifikacje personelu

Niniejsza instrukcja jest skierowana do personelu obsługującego i konserwującego skaner. Personel obsługujący i konserwujący musi być wyznaczony przez użytkownika i musi posiadać następujące kwalifikacje:

Personel konserwujący:

- Podstawowa wiedza techniczna.
- Przeczytanie i zrozumienie niniejszej instrukcji obsługi i konserwacji jest warunkiem koniecznym.
- Osoba musi być wystarczająco silna, aby podnieść urządzenie i umieścić je w miejscu docelowym.
- Kontrola i czyszczenie mogą być wykonywane wyłącznie przez specjalistów technicznych z wykształceniem kierunkowym lub pod kierunkiem działu obsługi klienta.

Operatorzy:

- Szkolenie dotyczące produktu.
- Regularne szkolenia w zakresie bezpieczeństwa.

1.10 Obowiązki personelu

- Należy zawsze przestrzegać wskazówek dotyczących bezpieczeństwa i obsługi zawartych w niniejszej instrukcji obsługi.
- Skaner może być wykorzystywany wyłącznie przez odpowiednio przeszkolony personel. Personel ten musi znać wszystkie wskazówki bezpieczeństwa i odpowiednie czynności zawarte w niniejszej instrukcji obsługi oraz na skanerze w zakresie obsługi, konserwacji i czyszczenia.
- Przed przystąpieniem do czyszczenia, konserwacji i napraw skaner optyczny należy odłączyć od zasilania.

1.11 Środki ochrony indywidualnej

Skaner 3D jest zaprojektowany w taki sposób, że osoby pracujące przy skanerze nie potrzebują żadnego dodatkowego wyposażenia ochronnego poza wymaganym standardem operatora (np. odzież robocza, buty robocze itp.).

- Osoby wykonujące czyszczenie i konserwację muszą przestrzegać zalecanych środków ochronnych dla odpowiednich substancji czyszczących (np. rękawice dla osób czyszczących, ochrona przed rozpryskami itp.)

2. Transport i instalacja



Przed wszystkim należy sprawdzić, czy opakowanie nie jest uszkodzone. W przypadku uszkodzenia należy udokumentować szkodę i skontaktować się ze sprzedawcą. Podczas transportu należy zwrócić uwagę na ostrzeżenia znajdujące się na opakowaniu. Urządzenie musi być transportowane lub przechowywane w taki sposób, aby było dobrze zabezpieczone, suche i ustawione pionowo w opakowaniu. W przypadku dłuższego magazynowania urządzenie powinno być przechowywane w suchym miejscu oraz w oryginalnym opakowaniu. Należy zwrócić uwagę na przestrzeganie wymagań dotyczących magazynowania podanych w specyfikacji.

**UWAGA!**

Aby uniknąć uszkodzenia urządzenia, skaner należy transportować wyłącznie w oryginalnym opakowaniu.

2.1 Rozpakowanie i ustawienie urządzenia

Najpierw otworzyć górę pudełka i zdjąć górną pokrywę piankową z opcjonalnymi akcesoriami. Następnie złapać skaner za dwa zagłębienia i wyciągnąć go z pudełka. Usunąć mocowanie ramienia, akcesoria standardowe znajdują się wewnątrz mocowania.



Pozostawić opakowanie na potrzeby późniejszego transportu (relokacja, serwis itp.).



Materiały opakowaniowe należy zutylizować w sposób przyjazny dla środowiska.

2.2 Wybór miejsca ustawienia

Ponieważ otoczenie skanera ma istotny wpływ na produkt, należy zachować ostrożność przy wyborze jego lokalizacji i przestrzegać następujących zasad:

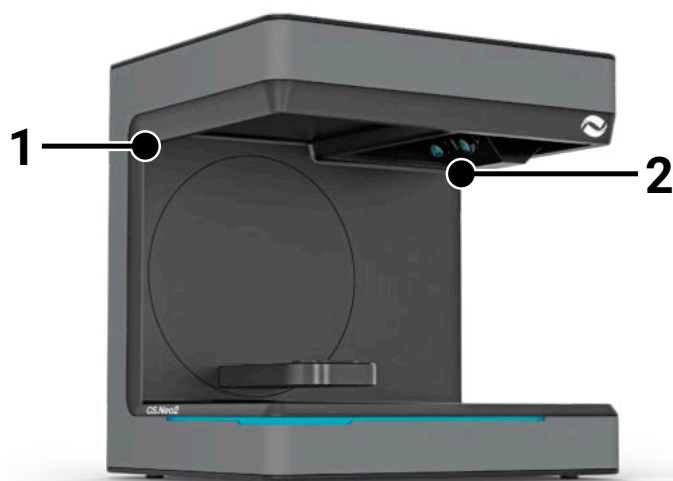
- Należy unikać szybko zmieniających się warunków oświetleniowych, takich jak ruchome cienie, migoczące oświetlenie biurowe (lampy fluorescencyjne, LED...).
- Nie wystawiać skanera na bezpośrednie działanie światła słonecznego.
- Unikać bezpośredniej styczności ze źródłami ciepła (np. grzejniki, inne urządzenia elektryczne, kominki itp.).
- Należy upewnić się, że miejsce instalacji jest poziome i pozbawione wibracji.
- Należy zapewnić, aby w miejscu instalacji nie było nadmiernego narażenia na pył, ewentualne trucizny lub gazy korozyjne.
- Należy wybrać takie miejsce montażu lub instalacji, w którym ciecze lub przedmioty nie mogą w żadnym wypadku dostać się do skanera (np. kondensacja, przecieki dachu, zalanie wodą itp.).
- Należy upewnić się, że wtyczka sieciowa zasilacza jest zawsze łatwo dostępna.
- Skaner można użytkować wyłącznie w pomieszczeniach.



Informacja: Silne światło zewnętrzne lub światło słoneczne może wpłynąć na wynik skanowania.

Może to prowadzić do niskiej jakości skanu lub do niepożądanych odchyleń wyniku pomiaru.

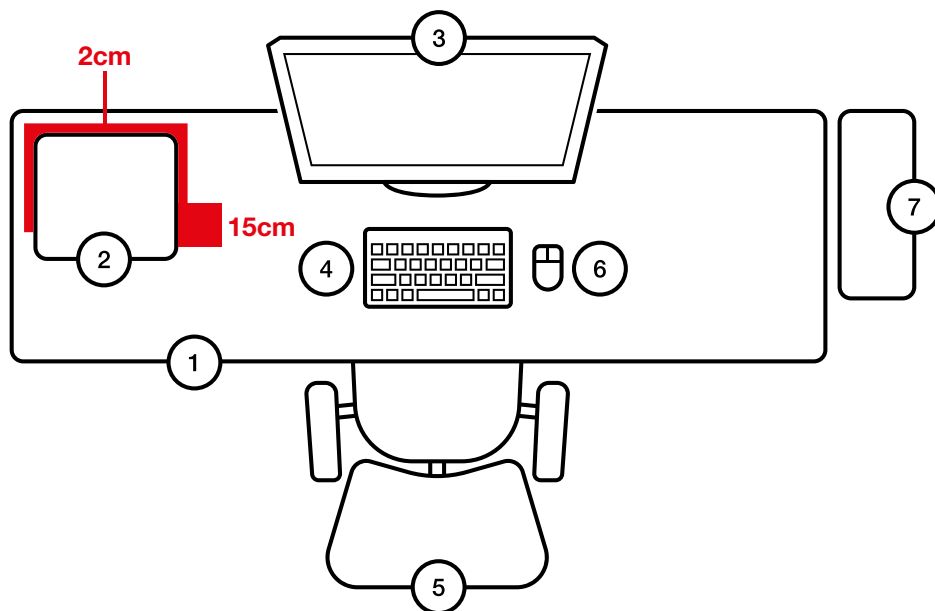
2.3 Uchwyty do przenoszenia



Dwa uchwyty do przenoszenia (1) i (2) są przeznaczone do przenoszenia skanera. Należy chwycić skaner za oba uchwyty odpowiednio lewą i prawą ręką. Waga skanera wynosi 11–13 kg. Skaner może być przenoszony przez jedną osobę. Otwarta strona skanera powinna być skierowana w kierunku przeciwnym do ciała.

2.4 Przykład montażu

Poniższy rysunek jest jedynie schematem mającym na celu ilustrację całego systemu. Należy zwrócić uwagę na ergonomiczne ustawienie, jak również na minimalne odległości dla skanera (oznaczone na czerwono).



Nr	Opis
1	Blat
2	Optyczny skaner 3D
3	Monitor komputera
4	Klawiatura
5	Krzeseło
6	Mysz
7	Komputer



Zasilacz można podłączać tylko do gniazdka ze stykiem ochronnym

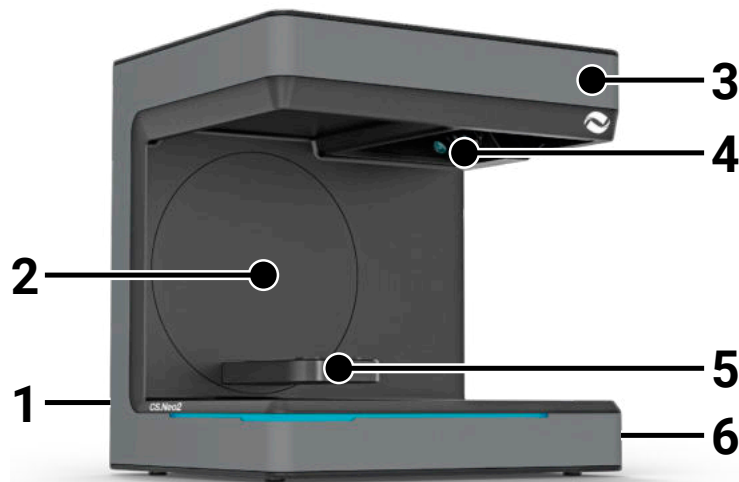


Przewody należy układać wzdłuż ścian

3. Przegląd urządzenia i złącz

3.1 Elementy skanera

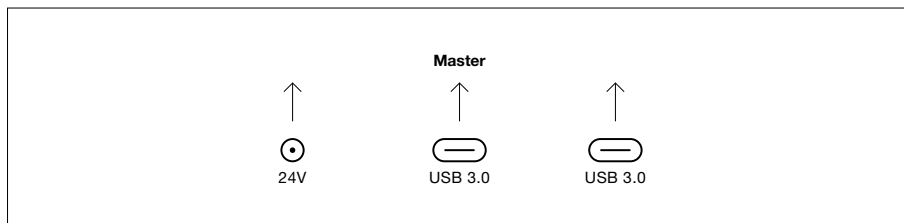
Główne elementy skanera



Nr	Opis
1	Listwa przyłączeniowa (tył urządzenia)
2	Przegub obrotowy
3	Obudowa
4	Optyczna jednostka skanująca
5	Wspornik modelu (CS.Neo2 Max = dwa wsporniki)
6	Włącznik

3.2 Listwa przyłączeniowa skanera


Listwa przyłączeniowa znajduje się z tyłu skanera i jest zaprojektowana w następujący sposób:



Nr	Opis
1	Gniazdo zasilania 24 V DC
2	Port USB C 3.0 jednostki głównej
3	Port USB C 3.0 jednostki podrzędnej (wyłącznie CS.Neo2 Max)

3.3 Zasilacz

Dane techniczne zasilacza

	Właściciel Wartość Producent MEAN WELL Typ GST90A 24 – P1M Wejście 90 ~ 264 V AC 127 ~ 370 V DC 47 ~ 63 Hz Moc 90 W Wyjście 24 V, 3,75 A
---	--



Należy używać wyłącznie dostarczonego zasilacza i przewodu zasilającego. Zasilacz można podłączać tylko do gniazdka ze stykiem ochronnym.

3.4 Przewody USB

Jeśli to możliwe, należy użyć dostarczonego przewodu. W przypadku użycia własnego przewodu USB należy zwrócić uwagę na następujące cechy. Pełny przewód 5 Gb USB C z ekranowaniem maks. 1,4 m. W przypadku przedłużenia powyżej 1,4 m należy zastosować aktywny przedłużacz USB.



W przypadku skanerów z 2 przewodami USB należy upewnić się, że dla każdego z dwóch przewodów USB dostępna jest pełna szerokość pasma. (Często złącza USB współdzielą prędkość).

3.5 Akcesoria

Każdy skaner jest dostarczany z akcesoriami standardowymi. Do niektórych funkcji można dokupić dodatkowe akcesoria.



UWAGA! Należy stosować wyłącznie oryginalne akcesoria.
W przeciwnym wypadku może to wpłynąć na postanowienia gwarancyjne i ryzyko odpowiedzialności za produkt.



Należy uważać na płytę kalibracyjną, aby nie uszkodzić jej powierzchni.

4. Działanie i instalacja

Ten optyczny skaner 3D jest przeznaczony dla branży stomatologicznej do pomiarów i digitalizacji modeli szczęk w trzech wymiarach. Na zasadzie „skanowania światła brzegowego”, wzór światła brzegowego jest rzutowany przez projektor na mierzony obiekt. Zniekształcenia wzoru światła spowodowane strukturą modelu są rejestrowane przez cztery kamery o wysokiej rozdzielczości zainstalowane w jednostce skanującej, przetwarzane i w ten sposób przekształcane na wirtualny i trójwymiarowy model.

4.1 Instalacja skanera

Po skonfigurowaniu skanera należy podłączyć go jednym lub dwoma kablami USB, następnie podłączyć zasilanie 24 V do zewnętrznej sieci energetycznej i podłączyć zasilacz.

Jeśli przewody USB są zbyt krótkie, można je przedłużyć za pomocą przedłużaczy aktywnych. W sprawie odpowiednich produktów należy skontaktować się z firmą CADstar. Ważna uwaga dotycząca urządzeń z dwoma złączami USB: należy upewnić się, że dwa porty USB w komputerze nie należą do tego samego kontrolera USB/HUB, ponieważ skaner wymaga pełnej przepustowości 2 x 5 Gb/s. Oznacza to, że musi być dostępne łącznie 10 Gb/s.

4.2 Instalacja komputera

Oprogramowanie skanera wymaga co najmniej użycia systemu Windows 10 lub nowszego. Należy upewnić się, że wszystkie sterowniki są zaktualizowane (karta graficzna, host USB, płyta główna itd.). Aby zapewnić bezproblemową pracę skanera, należy przestrzegać zalecanych minimalnych wymagań dla stacji roboczej PC.



Należy zapoznać się z instrukcją obsługi komputera.

4.3 Instalacja oprogramowania

Oprogramowanie skanera jest wstępnie zainstalowane na dostarczonych stacjach roboczych. W przeciwnym razie oprogramowanie można otrzymać od dealera lub zainstalować zdalnie za pośrednictwem naszego działu obsługi klienta. W tym celu należy skontaktować się z działem obsługi klienta firmy CADstar. Patrz rozdział „Obsługa klienta”.

Należy pamiętać, że aby uzyskać licencję na oprogramowanie, musi być dostępne połączenie internetowe. Należy to robić przy każdej nowej instalacji.



Do instalacji wymagane są uprawnienia administratora.



Nasz zespół wsparcia technicznego pracuje z programem „TeamViewer”. Należy pobrać ten program (www.teamviewer.com). Po instalacji należy przygotować identyfikator i hasło, aby nasza pomoc techniczna mogła połączyć się z komputerem.

5. Praca

Po uruchomieniu oprogramowania należy przeprowadzić kalibrację skanera w menu „Opcje”. W tym celu należy umieścić płytkę kalibracyjną w skanerze i rozpocząć kalibrację.

Strona główna oprogramowania skanera



Opcje > Kalibracja skanera LUB Menu



Opcje > Kalibracja skanera

Po udanej kalibracji można utworzyć nowe zadanie. Następujące pola są obowiązkowe i należy je wybrać lub wypełnić:

- Pacjent
- Lekarz
- Typ modelu
- Typ trybu skanowania



Więcej szczegółów znajduje się w instrukcji obsługi oprogramowania.

Po wejściu do menu skanowania można wykonać skan modelu, który znajduje się w skanerze.

5.1 Rozpoznawanie ID

Każde akcesorium posiada własne rozpoznawanie ID, dzięki któremu skaner może określić, co aktualnie znajduje się w skanerze, i dzięki temu wykonać odpowiednie funkcje.



Należy uważać na odsłonięte złote piny (24 V). Nie należy ich zwierać!

5.2 Wskaźnik LED

Pasek LED służy do wskazywania stanów w oprogramowaniu.

- Biały migający > Brak połączenia z oprogramowaniem
- Czerwony > Błąd
- Wielokolorowy > Kalibracja
- Niebieski pasek postępu > Wskaźnik postępu skanowania

5.3 Wyłączanie skanera



Aby wyłączyć skaner, należy nacisnąć włącznik przez co najmniej 1 sekundę.

6. FAQ – Rozwiązywanie problemów

Skaner nie uruchamia się:

- Jeżeli po uruchomieniu skaner nie zapala się, należy sprawdzić zasilanie oraz, czy zasilacz AC jest podłączony do skanera.
- Należy skontaktować się z naszą pomocą techniczną.

Komputer nie rozpoznał skanera:

- Należy pamiętać o użyciu dobrych przewodów USB o maksymalnej długości 1,5 m (z wyjątkiem użycia aktywnych przedłużaczy USB od CADstar). Wymienić przewód, aby przeprowadzić test.
- Należy upewnić się, że port USB spełnia specyfikację portu USB 3.0.
- W menedżerze urządzeń należy sprawdzić, czy sterownik jest aktualny.
- Sprawdzić, czy diody LED się świecą.
- Zrestartować komputer i skaner.
- Należy skontaktować się z naszą pomocą techniczną.

Na skanie widoczne są paski:

- Należy zwrócić uwagę na zmiany oświetlenia podczas skanowania, ponieważ może to powodować smugi. Jest to często spowodowane żaluzjami, które poruszają się podczas skanowania lub światłem słonecznym, które zmienia się z powodu drzew lub odbić w oknach.
- Migające światło, które może być emitowane na przykład przez lampy neonowe lub oświetlenie LED. Aby to sprawdzić, można nagrać smartfonem film w zwolnionym tempie. Jeżeli widoczne jest migotanie światła, należy poszukać przyczyny i usunąć ją.

Na skanie widoczne są puste przestrzenie:




- W tym miejscu należy użyć narzędzia „Integracja”, aby zamknąć puste przestrzenie.
- Jeśli na skanowanym obiekcie występują ciemne punkty, należy spryskać go sprayem do skanowania.

7. Prace porządkowe i konserwacyjne wykonywane przez operatora

Aby zapewnić długą żywotność produktu i dokładność skanowania, należy regularnie czyścić i kalibrować urządzenie.



7.1 Czyszczenie

Przed czyszczeniem skanera 3D należy go wyłączyć. W tym celu należy odłączyć skaner. Do czyszczenia używać wyłącznie czystych ściereczek. Skaner można odkurzać lub przedmuchiwać powietrzem. Należy jednak zwracać uwagę na elementy optyczne, aby nie zmieniły swojego położenia (ostrość aparatu). Aby nie uszkodzić czujników optycznych znajdujących się w górnej części skanera, można je tylko delikatnie odkurzać za pomocą ściereczki z mikrofibry.

	UWAGA! Czujniki optyczne systemu znajdujące się na górze urządzenia są bardzo delikatne.
	NIEBEZPIECZEŃSTWO! Przypadkowe włączenie skanera podczas czyszczenia.
	Do czyszczenia nie używać wody, pary lub środków czyszczących.


7.2 Ponowna kalibracja

Aby zagwarantować stałe wyniki skanowania, zaleca się stosowanie dostarczonej płytki kalibracyjnej w celu przeprowadzenia kalibracji raz w tygodniu. Skaner należy skalibrować również po transporcie lub w przypadku przeniesienia go w inne miejsce. Instrukcje dotyczące ponownej kalibracji skanera można znaleźć w naszym podręczniku oprogramowania. Rozpocząć proces skanowania za pomocą oprogramowania i postępować krok po kroku zgodnie z instrukcjami oprogramowania. Jeżeli coś jest niejasne, należy skontaktować się z naszym działem obsługi klienta (patrz rozdział „Obsługa klienta”).

	Należy upewnić się, że okręgi na płytce szklanej nie są uszkodzone, w przeciwnym razie kalibracja nie będzie możliwa.
	Nie wkładać płytki kalibracyjnej, ponieważ dotknięcie okręgów może wpłynąć na dokładność kalibracji.


7.3 Naprawa/rozwiązywanie problemów

Optyczny skaner 3D zawiera czułe komponenty i technologię czujników. Dlatego naprawy mogą być wykonywane wyłącznie przez pracowników serwisu CADstar Technology.

	W przypadku usterek, których nie można usunąć przez ponowne uruchomienie skanera, należy skontaktować się z działem obsługi klienta (patrz rozdział „Obsługa klienta”).
---	---

8. Utylizacja

W celu utylizacji urządzenie można zwrócić do sprzedawcy lub producenta. W przypadku pytań dotyczących prawidłowej utylizacji prosimy o kontakt z działem obsługi klienta.

	Należy pamiętać, że skaner jest urządzeniem elektronicznym przeznaczonym do użytku wyłącznie w środowisku komercyjnym/przemysłowym. Dlatego utylizacja za pośrednictwem publicznych zakładów utylizacji odpadów jest niedozwolona.
---	---

9. Dane techniczne

Informacje ogólne

	CS.Neo2	CS.Neo2 Pro	CS.Neo2 Max
Producent	CADstar Technology GmbH	CADstar Technology GmbH	CADstar Technology GmbH
Dopuszczenie	2023	2023	2023
Masa	11,40 kg	11,50 kg	12,60 kg
Wymiary (szer. x wys. x gł.)	396 x 405 x 337 mm	396 x 405 x 337 mm	396 x 405 x 337 mm

Środowisko

	CS.Neo2	CS.Neo2 Pro	CS.Neo2 Max
Zakres temperatur roboczych	od 18°C do 35°C	od 18°C do 35°C	od 18°C do 35°C
Zakres temperatur przechowywania	od -15°C do 50°C	od -15°C do 50°C	od -15°C do 50°C
Wysokość nad poziomem morza	od 0 do 3000 m	od 0 do 3000 m	od 0 do 3000 m
Stopień zanieczyszczenia	2	2	2

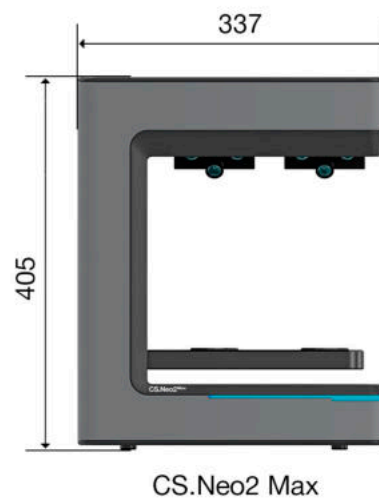
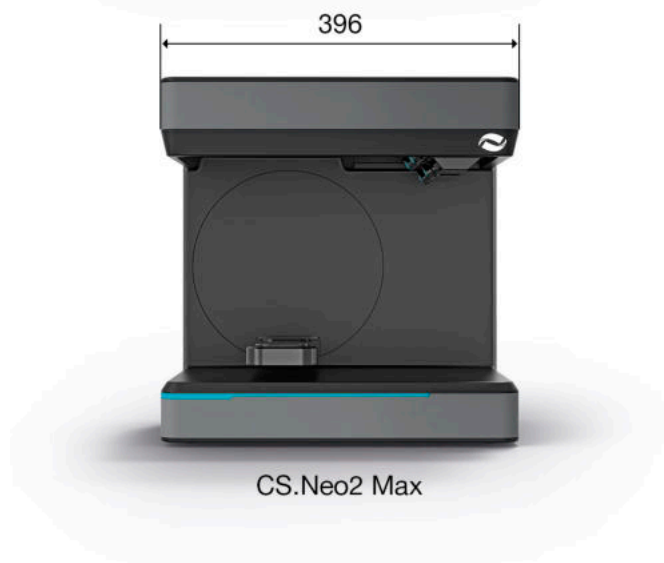
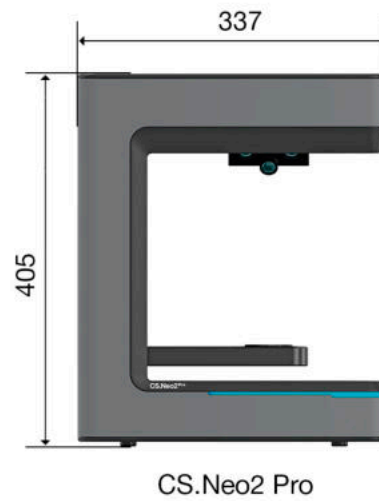
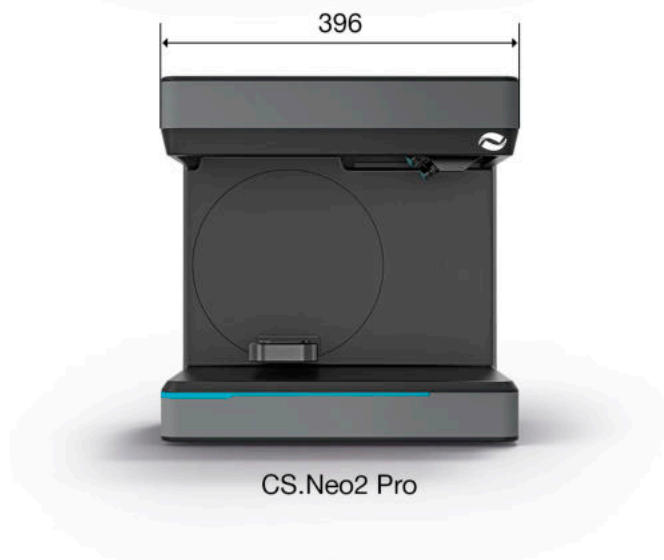
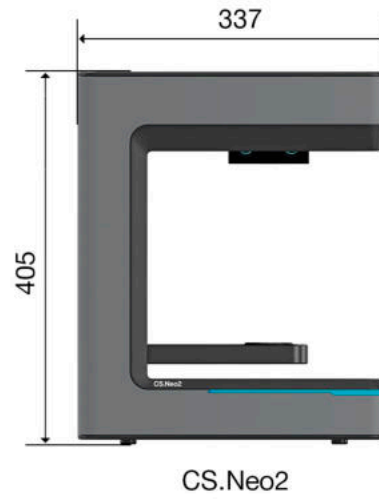
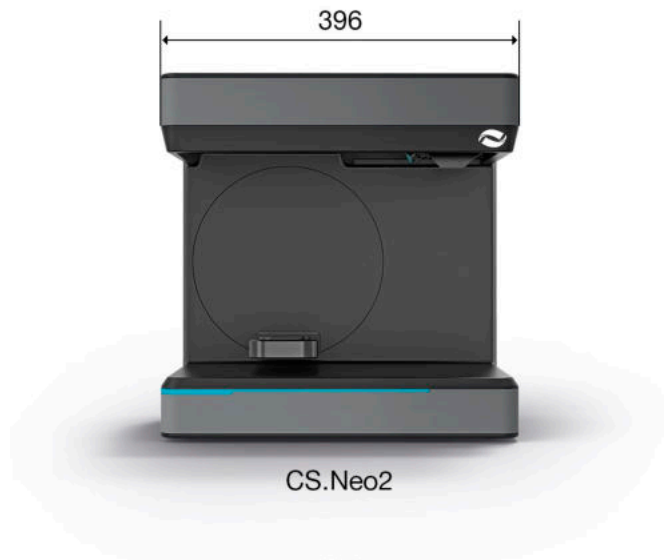
Instalacje elektryczne

	CS.Neo2	CS.Neo2 Pro	CS.Neo2 Max
Napięcie sieciowe	90–264 V AC	90–264 V AC	90–264 V AC
Częstotliwość napięcia sieciowego	47–63 Hz	47–63 Hz	47–63 Hz
Zasilacz sieciowy	90 Wh	90 Wh	90 Wh
Napięcie skanera	24 V DC +/-10%	24 V DC +/-10%	24 V DC +/-10%
Zużycie energii podczas pracy	35 Wh	35 Wh	45 Wh
Zużycie energii w trybie gotowości	1 Wh	1 Wh	1 Wh
Aparat	2x 6 Mpix	4x 6 Mpix	2x 4x 6 Mpix
Typ złącza USB	USB 3.0 TYP C (5 Gb/s)	USB 3.0 TYP C (5 Gb/s)	USB 3.0 TYP C (5 Gb/s)
Liczba złącz USB	1	1	2

Skaner

	CS.Neo2	CS.Neo2 Pro	CS.Neo2 Max
Zakres pomiaru (szer. x wys. x gł.)	100 x 100 x 100 mm	100 x 100 x 100 mm	2 x 100 x 100 x 100 mm
Maksymalny rozmiar obiektu	200 x 200 x 150 mm	200 x 200 x 150 mm	300 x 200 x 150 mm
Maksymalna masa obiektu	2 kg	2 kg	2 kg
Dokładność bezwzględna	<5 μ	<5 μ	<5 μ
Dokładność powtórzenia	<2 μ	<2 μ	<2 μ
Format pliku wyjściowego	STL, PLY	STL, PLY	STL, PLY

9.1 Schemat produktu i dopuszczenia



10. Deklaracja zgodności

(Oryginalna deklaracja zgodności WE)

Producent: CADstar Technology GmbH Grasslau 30 5500 Bischofshofen	Upoważniony sygnatariusz: Georg Dick (dyrektor zarządzający)
Produkt: Optyczny skaner 3D CS.Neo2, CS.Neo2 Pro, CS.Neo2 Max	Wyjaśnienie: Niniejszym CADstar Technology GmbH potwierdza, że przedstawiony produkt spełnia podstawowe wymagania dyrektyw EMC 2014/30/UE, dyrektywy niskonapięciowej 2014/35/UE oraz przepisów dotyczących ograniczenia stosowania niektórych niebezpiecznych substancji w sprzęcie elektrycznym i elektronicznym zgodnie z dyrektywą RoHS 2011/65/UE.
Stosowane normy:	
Wymagania dotyczące bezpieczeństwa	DIN EN IEC62368-1: 2022-09
EMC	DIN EN 55032:2022-08 DIN EN IEC 61000 3-2:2019-12 DIN EN IEC 61000-3-3:2020-07 DIN EN IEC 61000-4-2: 2009-12 DIN EN IEC 61000 4-3:2021-11 DIN EN IEC 61000-4-4:2013-04 DIN EN IEC 61000-4-5:2019-03 DIN EN IEC 61000-4-6:2014-08 DIN EN IEC 61000-4-8:2010-11 DIN EN IEC 61000-4-11:2021-10
RoHS	EN IEC 63000:2018; dyrektywa UE 2011/65/UE:2023
	
Bischofshofen, styczeń 2023 r.	Gerog Dick
(Miejsce i data deklaracji)	(Imię i nazwisko oraz podpis upoważnionego sygnatariusza)



İçindekiler listesi

1. Güvenlik ve genel bilgi	2
1.1 Semboller ve sunum aracı	2
1.2 Etiketler	3
1.3 Müşteri hizmetleri	3
1.4 Tekil çalışma aşamaları için güvenlik talimatları	3
1.5 Kullanım amacı	4
1.6 Potansiyel olarak kötüye kullanım	4
1.7 Amaçlanan çevre	4
1.8 İşletmecinin görevleri	5
1.9 Personelin nitelikleri	5
1.10 Personelin görevleri	5
1.11 Kişisel koruyucu ekipman	5
2. Taşıma ve kurulum	5
2.1 Cihazın paketinden çıkarılması ve kurulması	6
2.2 Bir kurulum alanı seçimi	6
2.3 Taşıma noktaları	7
2.4 Kurulum örneği	7
3. Cihaza genel bakış ve bağlantılar	8
3.1 Tarayıcının bileşenleri	8
3.2 Tarayıcının konektör şeridi	8
3.3 Güç kaynağı ünitesi	9
3.4 USB kabloları	9
3.5 Aksesuarlar	9
4. İşlev ve kurulum	9
4.1 Tarayıcının kurulması	9
4.2 Bilgisayarın kurulması	10
4.3 Yazılımın kurulması	10
5. Çalışma süreci	10
5.1 Kimlik tanıma	11
5.2 LED gösterge çubuğu	11
5.3 Tarayıcının kapatılması	11
6. SSS Sorun Giderme	11
7. İşletmeci için temizlik ve bakım çalışmaları	11
7.1 Temizlik	12
7.2 Yeniden kalibrasyon	12
7.3 Onarım / Sorun Giderme	12
8. Bertaraf etme	12
9. Teknik veriler	13
9.1 Ürün diyagramları ve açıklıklar	14

1. Güvenlik ve genel bilgi

Bu kullanım kılavuzu, yürürlükteki AB yönetmeliklerine uygun tasarlanmıştır ve güvenlik talimatları içermektedir. Güvenlik talimatlarına uyulmasından bireyler sorumludur. Bu bölüm, güvenlik talimatlarına genel bir giriş içermektedir. Ayrıca kazaların önlenmesine ilişkin önemli bilgiler de içermektedir.

Bu optik 3D tarayıcı (bundan sonra tarayıcı olarak anılacaktır), operatör için güvenlik ve çalışma güvenilirliği bakımından son teknoloji üründür. Bununla birlikte, tarayıcı, eğitimi yetersiz personel tarafından kullanılırsa veya yanlış kullanılırsa yahut amaçlandığı gibi kullanılmazsa tehlikeler oluşturabilir. Olası tehlikelere "Güvenlik ve genel bilgiler" bölümünde ve kullanım kılavuzunun başka yerlerinde değinilmiştir.

Bu kullanım kılavuzu, tarayıcının kurulumu, devreye alınması, çalıştırılması, bakımı ve bertaraf edilmesiyle ilgili bilgileri içermektedir.

Bu kullanım kılavuzu, kullanıcının tarayıcıyla güvenli şekilde çalışmasını sağlamak için hazırlanmıştır.

Bu belgedeki talimatlara uyulması, tehlikelerin önlenmesine ve tarayıcının hasar görmesinin engellenmesine yardımcı olacaktır.

Tarayıcı üzerinde ve tarayıcıyla çalışan herkes, kullanım kılavuzunu okumuş olmalı, kendileriyle ilgili bilgilere ve notlara uymalıdır. Bu kullanım kılavuzu her zaman eksiksiz ve tamamen okunaklı olmalıdır.

CADstar Technology bu kılavuzdaki baskı hatalarından sorumlu değildir. Benzer şekilde, doğrudan veya dolaylı olarak teslimata atfedilebilecek zararlar için de sorumluluk üstlenmez. Tarayıcının tasarımında ve yapımında azami özen gösterilmiş ve güvenlikle ilgili tüm hususlar dikkate alınmış olsa da geride hala tehlikeler kalmış olabilir. Bunlar bir risk değerlendirmesiyle değerlendirilmiştir. Bu bölümde risk değerlendirilmesiyle saptanmış tüm artık riskler ve uyarılar listelenmektedir.




Bu belgedeki bilgiler haber verilmeksizin değiştirilebilir. Bu belge hazırlanırken içeriğinin doğru olmasını sağlamak için her türlü çaba gösterilmiştir. Bu belgede yer alan tüm beyanlar, bilgiler veya tavsiyeler, açık veya gizli hiçbir özellik vaadinin yerine geçmez.

1.1 Semboller ve sunum aracı

1.1.1 Uyarılar ve ek bilgiler

Uyarılar

Bu belgede "NOT", "DİKKAT" ve "TEHLİKE" olarak işaretlenmiş bölümler, uyulması gereken güvenlik talimatlarının tamamını içermez. Bunlar sadece genel güvenlik talimatlarının tamamlayıcılarıdır. CADstar, genel güvenlik gerekliliklerinin veya tasarım, üretim ve kullanım güvenliği standartlarının ihlalinin kaynaklanan sonuçlar için hiçbir sorumluluk üstlenmemektedir. Bu belge, tehlikenin ciddiyetine ve olasılığına bağlı olarak aşağıdaki uyarı seviyeleri arasında ayrım yapmaktadır:

Uyarı sembolü	Tanım
 TEHLİKE	Önlenmediği takdirde ölümlü veya ciddi yaralanmayla sonuçlanacak önemli bir tehlikeyi belirtir.
 DİKKAT	Önlenmediği takdirde hafif bedensel yaralanmalara yol açabilecek küçük bir tehlikeyi belirtir.
 NOT	NOT, kişisel yaralanmayla ilgili olmayan uygulamaları açıklamak veya ürünle ilgili işlemleri iyileştirmek için kullanılır.


1.1.2 Tarayıcı üzerindeki güvenlik etiketi

Tarayıcıya, olası tehlikelere/artık tehlikelere dikkat çeken güvenlik talimatları iliştilmiştir.

Tarayıcı üzerindeki güvenlik etiketinde yer alan talimatlara her koşulda uyulmalıdır. Güvenlik etiketleri zaman içinde silikleşir veya hasar görürse hemen yeni etiketlerle değiştirilmelidir. Tam ve okunaklı olduklarından emin olmak için

düzenli aralıklarla kontrol edilmelidirler. İşaretler hemen tanınabilir veya ilk bakışta anlaşılabilir değilse optik 3D tarayıcı yeni işaretler takılana kadar çalıştırılmamalıdır.

Tarayıcı üzerindeki uyarılar, yasaklar ve gereklilikler için piktogramlar ve bunların anlamları:

Simge	Anlamı
	Ezilme tehlikesi Bu piktogram döner kol alanında bulunur ve tarayıcı ile döner kol arasında olası bir ezilme tehlikesine karşı uyarır.

1.2 Etiketler

Tarayıcı, isim plakasının içeriğinde açıkça tanımlanmıştır. CE işareti için direktifler:

- EMC Direktifi 2014/30/AB
- Alçak Gerilim Direktifi 2014/35/AB
- RoHS Direktifi 2011/65/AB

1.3 Müşteri hizmetleri

Teknik sorunlar olması durumunda müşteri hizmetlerimizle iletişime geçin. Veya doğrudan CADstar Technology ile iletişime geçin. Link: www.cadstar.dental

CADstar Technology Headquarters, Grasslau 30, 5500 Bischofshofen, Avusturya

1.4 Tekil çalışma aşamaları için güvenlik talimatları

1.4.1 Taşıma ve kurulum

- Tarayıcı sadece uygun şekilde paketlenip emniyete alınmışsa taşınabilir.
- Tarayıcıyı aktarırken, özellikle taşıma sonrasında park ederken tarayıcının bükülmediğinden emin olun.
- Tarayıcı ergonomik bir yüksekliğe kurulması için tasarlanmıştır. (ülkenizde çalışanlara yönelik koruma yönetmeliklerine uyun).
- Kabloları döşerken, ayağın takılma tehlikesi oluşturmadıklarından emin olun. Kabloları daima duvarlar boyunca döşeyin. Kablolar hiçbir koşulda gerilim altında olacak veya sarkacak şekilde döşenmemelidir.
- Tarayıcının yeri, tarama işlemi sırasında titreşim olmayacak şekilde seçilmelidir, yani seçilen tabanın (çalışma tezgahı, masa vb.) yük kapasitesi Teknik Özelliklerde listelenen değer en az iki katı olmalı ve tüm titreşimleri soğurmalıdır.
- Cihazı kurarken ortam ışığı dikkate alınmalıdır. Tarama işlemi sırasında ortam ışığında herhangi bir değişiklik olmamalıdır, ağaçlardan veya panjurlardan kaynaklanan gölgeler gibi. Neon ışıklardan veya doğrudan güneş ışığından da kaçınılmalıdır.
- Tarayıcı nemli odalarda çalıştırılmamalıdır.
- Tarayıcı ile hiçbir sıvı temas etmemelidir. Tarayıcı üzerine sıvı içeren hiçbir kap konulmamalıdır.

1.4.2 Kurulum ve çalıştırma

- Çalıştırma ve bakım personeli, sistemin çalışması ve olası tehlikeler hakkında düzenli olarak bilgilendirilmelidir. Bu personel, kullanım kılavuzunu okumalıdır.
- Her çalıştırmadan önce, cihaz açıldığında bir referans çalışması gerçekleştirildiği için kolun dönme alanında hiçbir parça olmadığından emin olun.
- Çocukları tarayıcıdan uzak tutun. Tarayıcı ile sadece eğitimli personel çalışabilir.
- Optik 3D tarayıcı sadece mükemmel ve temiz durumda çalıştırılabilir.
- Güç kaynağı kabloları ve besleme kabloları başka cisimler tarafından hasar görmemeli veya ezilmemelidir.
- Arızalar veya hasarlar hemen işletmeciye bildirilmelidir.
- Herhangi bir koruyucu, güvenlik veya izleme cihazının çıkarılması, değiştirilmesi, atlatılması veya önlenmesi yasaktır.
- Tarayıcı ek parçalarını çalıştırırken olası ezilme tehlikelerine karşı dikkatli olun.
- Tarayıcı uzun bir süre kullanılmayacaksa güç kaynağı bağlantısını kesin.
- Tarayıcı üzerine herhangi bir cisim veya alet koymayın.
- Tarayıcının etrafının temiz ve düzenli olduğundan emin olun. İş akışı için gerekli olmayan tüm nesnelere ve kaplara tarayıcı alanından çıkarılmalıdır.
- Tarayıcıya tırmanmak, tarayıcı üzerinde oturmak veya ayakta durmak yasaktır.

	Tarayıcı açıldığında döner kol hareket eder. Parmak yaralanmaları meydana gelebileceğinden tehlike alanına uzanmayın.
--	---

	Döner kol tarama sırasında hareket eder. Parmak yaralanmaları meydana gelebileceğinden tehlike alanına uzanmayın.
--	---

1.4.3 Yanlış bakım, değişiklik ve onarım

CADstar Technology'ye veya ilgili ek cihazın üreticisine danışmadan başka üreticilerin ek cihazlarının sonradan takılmasına veya koruyucu cihazlarda değişiklik yapılmasına izin verilmez.

- Tarayıcının onarımı sadece CADstar Technology'nin müşteri hizmetleri tarafından yapılabilir.

1.5 Kullanım amacı

Tarayıcının kullanım amacı, birlikte verilen yazılımla birlikte çoğaltılmış insan yapımı yapılarını üç boyutlu ve optik olarak ölçmektir. Sadece çene baskıları ve çenelerin alçı modelleri ile alçı modelli çene modelleri yerleştirilebilir (maks. 1500 g) boyutlar G x U x Y: 200 mm x 200 mm x 150 mm. Sadece CADstar Technology tarafından önerilen aksesuarlar kullanılabilir. Tarayıcı, dış laboratuvarlarında kullanılması için tasarlanmıştır. Başka amaçla kullanımlar CADstar Technology'nin yazılı iznini gerektirir. Yanlış kullanım, kişileri tehlikeye atabilir ve tarayıcıya zarar verebilir. Ürün otomatik çalışan bir cihaz değildir; manuel olarak yüklenmesi gerekir. Ayrıca kullanım amacına uyulmaması durumunda her türlü sorumluluk ve garanti talebi hariç tutulur.

1.6 Potansiyel olarak kötüye kullanım

Bu belgedeki bilgiler ürünün özelliklerini açıklamakta ancak bunları garanti etmemektedir. Aşağıdakilerin neden olduğu hasarlar için hiçbir sorumluluk ve garanti talebi kabul edilmeyecektir:

- Tarayıcının yanlış kullanımı.
- Çalıştırma talimatlarına uyulmaması.
- Tarayıcıda izinsiz değişiklikler.
- Tarayıcı üzerinde ve tarayıcıyla uygunsuz çalışma.
- Yanlış yapılan onarımlar.
- Çalışma parametrelerinin izinsiz, uygunsuz şekilde değiştirilmesi.
- Afet olayları, yabancı cisimlerden kaynaklanan darbeler ve mücbir sebepler.

1.7 Amaçlanan çevre

Tarayıcının kullanımı aşağıdaki gibi sınırlandırılmıştır:

- Sadece iç mekanlarda çalıştırılmalıdır
- Ortam sıcaklığı: 5 °C - 35 °C
- Bağıl nem: 31 °C'ye kadar %20 - %80, 35 °C'ye kadarki sıcaklıklarda en çok %20-50 doğrusal azalma - nemli odalar için uygun değildir, yağışsız
- Titreşim ışık yok (örneğin floresanli aydınlatma; hareketli panjurlar; rüzgarda ağaçlardan gelen gölgeler).
- Azami ortam parlaklığı 500lux. Tarama alanında doğrudan güneş ışığı olmamalıdır
- Temiz ve tozsuz ortam
- Sabit, titreşim soğurucu bir iş istasyonu üzerinde yatay kurulum yeri
- Azami kurulum yüksekliği deniz seviyesinden <3000 m yükseklikte

1.8 İşletmecinin görevleri

İşletmeci, tarayıcının güvenli şekilde çalıştırılmasından sorumludur.

- Tarayıcıyla sadece eğitilmiş, eğitim almış veya vasıflı kişilerin çalıştığından emin olun.
- Tarayıcı üzerinde ilk kez çalışan herkesin, bu kullanım kılavuzunu okuduğundan ve anladığından emin olun.
- Bu kılavuzdaki ve tarayıcı üzerindeki güvenlik talimatlarına özellikle dikkat çekin.
- Kullanım kılavuzunu tarayıcının yakınındaki alanda saklayın ve yeni personele verin.
- Tarayıcıyı kullanmak için gerekli mesleki uzmanlığa sahip olmayan hiç kimsenin tarayıcı üzerinde çalışmadığından emin olun.
- Çalışan personel, tarayıcıyla nasıl güvenli şekilde çalışacaklarına yönelik düzenli aralıklarla bilgilendirilmelidir.
- Lütfen kadın çalışanların korunmasına yönelik ulusal yönetmeliklere uyun.
- Tarayıcıda bakım veya temizlik yaparken, güç kaynağı bağlantısı kesilmelidir.
- Onarımlar sadece sertifikalı bir servis elemanı tarafından yapılabilir
- Tarayıcı teslim edildiğinde üzerine iliştirilen bilgilerin okunaklı olduğundan emin olun. Eksik ve hasarlı uyarı işaretleri hemen değiştirilmelidir.

1.9 Personelin nitelikleri

Bu kılavuz, tarayıcının çalışma ve bakım personeline yöneliktir. Çalıştırma ve bakım personeli işletmeci tarafından belirlenmeli ve aşağıdaki niteliklere sahip olmalıdır:

Bakım personeli:

- Temel teknik bilgi
- Bu çalışma ve bakım talimatlarının okunup anlaşılması bir ön koşuldur.
- Kişi, üniteyi kaldırıp nihai yerine yerleştirecek kadar güçlü olmalıdır.
- Muayene ve temizlik sadece ürüne özel eğitim almış teknik uzmanlar tarafından veya müşteri hizmetleri bölümünün rehberliğinde yapılabilir

İşletmeciler:

- Ürün eğitimi
- Düzenli güvenlik eğitimi

1.10 Personelin görevleri

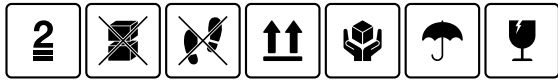
- Bu kullanım kılavuzunda yer alan güvenlik talimatlarına ve çalışma talimatlarına her zaman uyulmalıdır.
- Bu tarayıcı sadece uygun niteliklere sahip personel tarafından kullanılmalıdır. Bu personel, tüm güvenlik talimatlarını ve bu kullanım kılavuzunda ve tarayıcı üzerinde yer alan çalışma, bakım ve temizlikle ilgili önlemleri bilmelidir.
- Temizlik, bakım ve onarım çalışmalarından önce optik tarayıcının güç kaynağıyla bağlantısı kesilmelidir.

1.11 Kişisel koruyucu ekipman

3D tarayıcı, tarayıcı üzerinde çalışan kişilerin, işletmecinin gerekli standardı dışında (örn. iş kıyafeti, iş ayakkabısı vb.) herhangi bir ek koruyucu ekipmana ihtiyaç duymayacağı şekilde tasarlanmıştır.

- Temizlik ve bakım işlerini yapan kişiler, ilgili temizlik maddeleri için öngörülen önlemlere uymalıdır (örn. temizleyiciler için eldivenler, sıçrama koruması, vb.).

2. Taşıma ve kurulum



Öncelikle paketin hasarsız olduğundan emin olun. Hasarlıysa, hasarı belgeleyip satıcıyla iletişime geçin. Taşıma sırasında paket üzerindeki uyarılara dikkat edin. Cihaz iyi korunmuş, kuru ve bir paket içinde dik duracak şekilde taşınmalı veya saklanmalıdır.

Daha uzun süreli saklanacaksa cihaz orijinal paketinde kuru bir yerde saklanmalıdır. Teknik özelliklerde belirtilen saklama koşullarına uyulmalıdır.

**NOT!**

Cihazın hasar görmesini önlemek için tarayıcıyı sadece orijinal paketinde taşıyın.

2.1 Cihazın paketinden çıkarılması ve kurulması

İlk önce, kutunun üst kısmını açın ve isteğe bağlı aksesuarların bulunduğu üst köpük kapağı çıkarın. Ardından tarayıcıyı iki girtiden tutabilir ve kutudan çıkarabilirsiniz. Artık kol için sabitleme çıkarılabilir, standart aksesuarlar sabitlemenin içindedir.



Paketi ileride taşımakta kullanmak üzere saklayın (taşınma, servis, ...).



Atık malzemeleri çevreye uygun bertaraf edin.

2.2 Bir kurulum alanı seçimi

Tarayıcının bulunduğu ortam, ürünü büyük ölçüde etkilediğinden, kurulum yerini seçerken dikkatli olmalı ve aşağıdakilere uymalısınız:

- Hareketli gölgeler, titreşimli ofis ışığı (floresan lambalar, LED...) gibi hızla değişen aydınlatma koşullarından kaçının.
- Tarayıcıyı asla doğrudan güneş ışığına maruz bırakmayın.
- Isı kaynaklarına (örn. radyatörler, diğer elektrikli aletler, şömineler, vb.) doğrudan yaklaşımdan kaçının.
- Kurulum yerinin düz ve titreşimsiz olduğundan emin olun.
- Kurulum yerinde toza, zehirlere veya aşındırıcı gazlara olağanüstü bir maruziyet olmadığından emin olun.
- Tarayıcıya hiçbir koşulda sıvıların (örn. yağış, çatı sızıntıları, sulama suyu vb.) veya cisimlerin giremeyeceği bir montaj veya kurulum yeri seçin.
- Güç kaynağı ünitesinin elektrik fişinin her zaman erişilebilir olduğundan emin olun.
- Tarayıcı sadece iç mekânlarda çalıştırılabilir.

**Bilgi: Güçlü dış ışık veya güneş ışığı tarama sonucunu etkileyebilir.**

Bu durum tarama kalitesinin düşmesine veya ölçüm sonuçlarında istenmeyen sapmalara yol açabilir.

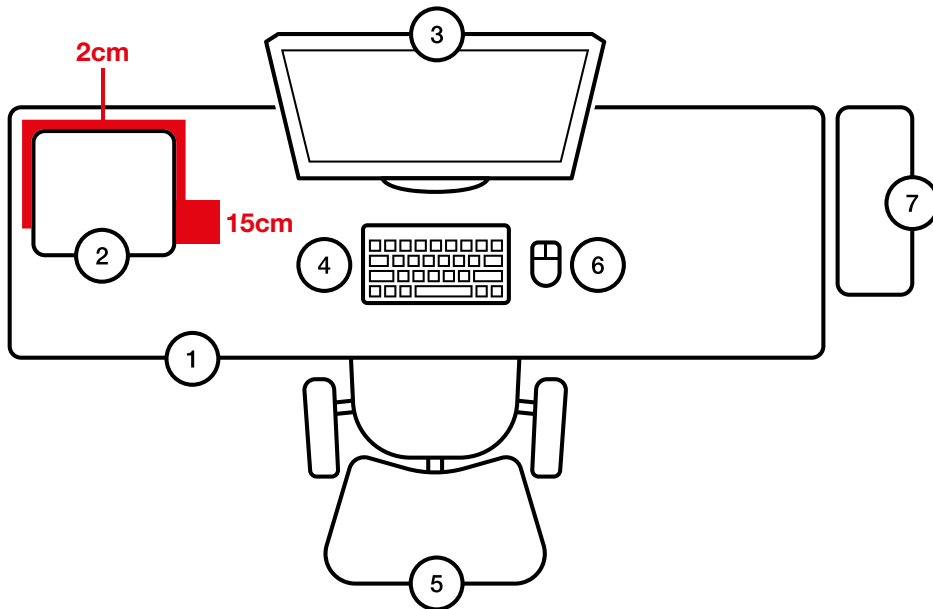
2.3 Taşıma noktaları



Tarayıcıyı taşımak için iki taşıma noktası (1) ve (2) sağlanmıştır. Tarayıcıyı sol ve sağ elinizle bu iki noktadan tutun. Tarayıcı 11-13 kg ağırlığındadır ve bir kişi tarafından taşınabilir. Tarayıcının açık tarafı vücudunuza sırtını dönmelidir.

2.4 Kurulum örneği

Aşağıdaki şekil sadece genel sistemi göstermeyi amaçlayan şematik bir gösterimdir. Ergonomik bir düzenlemeye ve tarayıcı için gösterilen asgari mesafelere (kırmızı) dikkat edin.



No.	Tanım
1	Masa
2	Optik 3D tarayıcı
3	Bilgisayar ekranı
4	Klavye
5	Masa sandalyesi
6	Fare
7	Bilgisayar



Güç kaynağı ünitesi sadece koruyucu kontağı olan bir prize bağlanmalıdır

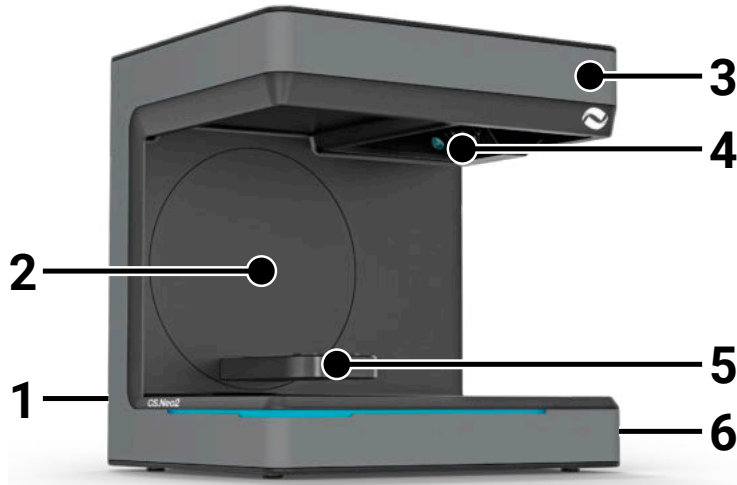


Kablolar duvarlar boyunca döşenmelidir

3. Cihaza genel bakış ve bağlantılar

3.1 Tarayıcının bileşenleri

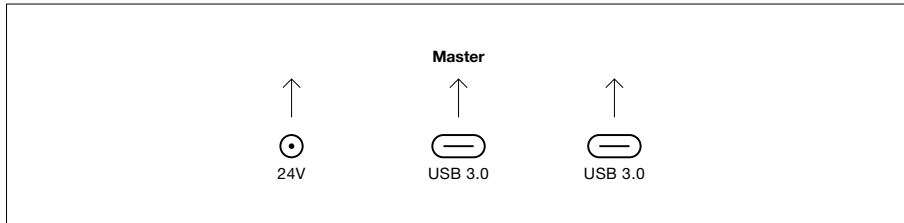
Bunlar tarayıcıdaki ana bileşenlerdir



No.	Tanım
1	Konektör şeridi (arka taraf)
2	Döner braket
3	Gövde
4	Optik tarama ünitesi
5	Model desteği (CS.Neo2 Max = iki destek)
6	Açma/Kapama düğmesi

3.2 Tarayıcının konektör şeridi


Konektör şeridi tarayıcının arkasında bulunur ve aşağıdaki gibi tasarlanmıştır:



No.	Tanım
1	24V DC priz
2	USB C 3.0 Portu Master Ünite
3	USB C 3.0 Portu Slave Ünite (sadece CS.Neo2 Max)

3.3 Güç kaynağı ünitesi

Güç kaynağı ünitesinin teknik verileri

	Özellik	Değer
	Üretici firma	MEAN WELL
Tip	GST90A 24 – P1M	
Giriş	90 ~ 264VAC	
	127 ~ 370VDC	
	47 ~ 63Hz	
Güç	90W	
Çıkış	24 V, 3.75 A	



Sadece birlikte verilen güç kaynağı ünitesini ve güç kablosunu kullanın. Güç kaynağı ünitesi sadece koruyucu kontağı olan bir prize bağlanabilir.

3.4 USB kabloları

Mümkünse birlikte verilen kabloyu kullanın. Kendi USB kablonuzu kullanıyorsanız aşağıdaki özelliklere dikkat edin. Azami 1.4 m koruma ile birlikte tam 5Gbit USB C kablosu. 1.4 m'nin üzerindeki uzatma kabloları için aktif bir USB uzatma kablosu kullanılmalıdır.



2 USB kablosu olan tarayıcılarda, her iki USB kablosu için tam bant genişliğinin kullanılabilir olduğundan emin olun. (Genellikle USB konektörleri hızı paylaşır)

3.5 Aksesuarlar

Her tarayıcı standart aksesuarlarla teslim edilir. Belirli işlevler için başka aksesuarlar satın alınabilir.



NOT! Sadece orijinal aksesuarlar kullanın.
Aksi halde, garanti hükümleri ve ürün sorumluluğu riskleri etkilenebilir.



Yüzeyin zarar görmemesi için kalibrasyon plakasına dikkat edin.

4. İşlev ve kurulum

Bu optik 3D tarayıcı, dışçılık alanında çene modellerini üç boyutlu olarak ölçüp dijitalleştirmek için tasarlanmıştır. "Saçak ışık taraması" ilkesine dayanarak, ölçülecek bir cismin üzerine bir projektör tarafından bir saçak ışık deseni yansıtılır. Modelin yapısından kaynaklanan ışık desenindeki bozulma, tarayıcı ünitesine takılı yüksek çözünürlüklü dört kamera tarafından kaydedilir, işlenir, böylece sanal ve üç boyutlu dijital bir modele dönüştürülür.

4.1 Tarayıcının kurulması

Tarayıcıyı kurduktan sonra, bir veya iki USB kablosuyla bağlayın, ardından 24V beslemeyi harici güç şebekesine bağlayıp güç kaynağını takın.

USB kabloları çok kısaysa, özel aktif uzatma kablolarıyla uzatılabilirler. Uygun ürünler için CADstar ile iletişime geçin. İki USB bağlantısı olan cihazlar için önemli not: tarayıcı, 2x 5Gbit/s'lik tam bant genişliği gerektirdiğinden, bilgisayardaki iki USB portunun aynı USB kontrolörüne / HUB'a ait olmadığından emin olunmalıdır. Bu da toplamda 10 Gbit/sn'inin mevcut olması gerektiği anlamına gelir.



4.2 Bilgisayarın kurulması

Tarayıcı yazılımı en az Windows 10 veya daha yeni bir sürüm gerektirir. Tüm sürücülerin güncel olduğundan emin olun (grafik kartı, USB, anakart, vb...). Tarayıcının sorunsuz çalışmasını sağlamak için önerilen asgari bilgisayar iş istasyonu gerekliliklerine uyun.



Bilgisayarın kullanım kılavuzuna bakın.

4.3 Yazılımın kurulması

Tarama yazılımı, tedarik edilen iş istasyonlarına önceden kurulmuştur. Kurulu değilse, yazılımı bayinizden temin edebilir veya müşteri hizmetlerimizin uzaktan kurmasını sağlayabilirsiniz. Bunu yapmak için CADstar Technology'nin müşteri hizmetleriyle iletişime geçin. Bkz. "Müşteri hizmetleri" bölümü.

Yazılımı lisanslamak için bir internet bağlantısının olması gerektiğini unutmayın. Bu, her yeni kurulum için yapılmalıdır.



Kurulum için yönetici hakları gereklidir.



Destek birimimiz "TeamViewer" ile çalışmaktadır. Lütfen bu yazılımı indirin (www.teamviewer.com). Kurulumdan sonra, destek birimimizin bilgisayarınıza bağlanabilmesi için lütfen kimliğinizi ve şifrenizi hazır bulundurun.

5. Çalışma süreci

Yazılımı başlattıktan sonra, Seçenekler menüsü altında tarayıcı kalibrasyonunu gerçekleştirmelisiniz. Bunu yapmak için, kalibrasyon plakasını tarayıcıya yerleştirin ve kalibrasyonu başlatın.

Ana sayfa tarayıcı yazılımı



Seçenekler > Tarayıcı kalibrasyonu VEYA Menü



Seçenekler > Tarayıcı kalibrasyonu

Başarılı bir kalibrasyondan sonra yeni bir vaka oluşturabilirsiniz. Aşağıdaki alanlar zorunludur ve seçilmesi veya doldurulması gerekir:

- Hasta
- Doktor
- Model türü
- Tarama modu türü



Daha fazla ayrıntı için lütfen bkz. yazılım kullanım kılavuzu.

Tarama menüsündeyseniz tarayıcıda bulunan bir modeli tarayabilirsiniz.

5.1 Kimlik tanıma

Her aksesuar, tarayıcının halihazırda tarayıcıda ne bulunduğunu belirleyip uygun işlevleri gerçekleştirebildiği kendi kimlik tanıma özelliğine sahiptir.



Açıktaki altın pimlere dikkat edin (24V). Bunlara kısa devre yaptırmayın!

5.2 LED gösterge çubuğu

LED çubuğu yazılımdaki durumları göstermek için kullanılır.

- Beyaz titreşim > Yazılım bağlantısı yok
- Kırmızı > Hata
- Gökkuşaağı > Kalibrasyon
- Mavi ilerleme çubuğu > Tarama ilerleme göstergesi

5.3 Tarayıcının kapatılması



Tarayıcıyı kapatmak için Açma/Kapama düğmesine en az 1 saniye basın.

6. SSS Sorun Giderme

Tarayıcı başlamıyor:

- Tarayıcı açılırken yanmazsa güç kaynağını kontrol edin ve AC adaptörünün tarayıcıya bağlı olup olmadığını kontrol edin.
- Destek birimimizle iletişime geçin

Tarayıcı bilgisayarda tanınmıyor:

- Azami uzunluğu 1.5 m olan kaliteli USB kabloları kullandığınızdan emin olun (CADstar'ın aktif USB uzatma kablolarının kullanıldığı durumlar hariç). Bir testi tamamlamak için kabloyu değiştirin
- USB portunun USB3.0 özelliklerini karşıladığından emin olmak için kontrol edin
- Güncel olduğundan emin olmak için aygıt yöneticisinde sürücü durumunu kontrol edin
- Cihaz üzerindeki LED'lerin açık olup olmadığını kontrol edin
- Bilgisayarı ve tarayıcıyı yeniden başlatın
- Destek birimimizle iletişime geçin

Tarama sonuçlarında çizgiler görünüyor:

- Tarama sırasında ışıktaki değişikliklere dikkat edin, çünkü bu çizgilenmeye neden olabilir. Bu durum genellikle tarama sırasında hareket eden panjurlardan veya ağaçlar yahut pencerelerdeki yansımalar nedeniyle değişen güneş ışığından kaynaklanır.
- Örneğin neon tüpler veya LED aydınlatma gibi yayılabilen titreşimli ışık. Bunu kontrol etmek için akıllı telefonunuzla ağır çekim bir video kaydedebilirsiniz. Titreşimli ışık görünürse, nedenini araştırıp ortadan kaldırın.

Tarama sonuçlarında delikler görünüyor:

- Deliği kapatmak üzere bu alan için "Integrate" aracını kullanın.
- Taranacak cisim üzerinde koyu lekeler varsa cisim üzerine tarama spreyimizi püskürtün.

7. İşletmeci için temizlik ve bakım çalışmaları

Uzun ürün ömrü ve tarama doğruluğu sağlamak için cihazın düzenli olarak temizlenmesi ve kalibre edilmesi gerekir.

7.1 Temizlik

Temizlemeden önce optik 3D tarayıcı kullanım dışı bırakılmalıdır. Bunu yapmak için tarayıcının fişini çekin. Temizlik için sadece kuru bezler kullanın. Tarayıcı vakumlanabilir veya havası boşaltılabilir. Ancak yanlış hizalanmaları için optik elemanlara dikkat edin (kamera odağı). Tarayıcının üst kısmında bulunan optik sensörlerin zarar görmesini önlemek için, sadece mikrofiber bir bez kullanılarak hafifçe tozları alınabilir.

	NOT! Tarayıcının üst kısmındaki optik sensör sistemi son derece hassastır.
	TEHLİKE! Temizlik sırasında tarayıcıyı yanlışlıkla açma.
	Temizlik için su, buhar veya temizlik maddeleri kullanmayın.

7.2 Yeniden kalibrasyon

Tutarlı bir tarama sonucunu garanti etmek için, haftada bir kez kalibrasyon yaparak birlikte verilen kalibrasyon plakasının kullanılması önerilmektedir. Tarayıcı, taşındıktan sonra veya farklı bir yere taşındığında da kalibre edilmelidir. Tarayıcınızı yeniden kalibre etme talimatlarını yazılım kılavuzumuzda bulabilirsiniz. Tarama işlemini yazılımı kullanarak başlatın ve yazılım talimatlarına göre adım adım ilerleyin. Anlaşılmayan bir şey olursa müşteri hizmetleri bölümümüzle iletişime geçin (bkz. "Müşteri hizmetleri" bölümü).

	Cam plaka üzerindeki dairelerin hasar görmediğinden emin olun, aksi halde kalibrasyon artık mümkün değildir.
	Dairelere dokunmak kalibrasyonun doğruluğunu etkileyebileceğinden kalibrasyon plakasını yerleştirmeyin.

7.3 Onarım / Sorun Giderme

Optik 3D tarayıcı hassas bileşenler ve sensör teknolojisi içerir. Bu nedenle, onarım çalışmaları sadece CADstar Technology'nin servis personeli tarafından gerçekleştirilebilir.

	Tarayıcıyı yeniden başlatmakla çözülemeyen arızalar varsa müşteri hizmetleriyle iletişime geçin (bkz. "Müşteri hizmetleri" bölümü).
--	---

8. Bertaraf etme

Tarayıcı, bertaraf edilmek üzere satıcıya veya üreticiye geri verilebilir. Bu yüzden, uygun şekilde bertaraf edilmesiyle ilgili sorularınız olduğunda lütfen müşteri hizmetleri bölümümüzle iletişime geçin.

	Lütfen tarayıcının sadece ticari/endüstriyel ortamlarda kullanılmak üzere tasarlanmış elektronik bir cihaz olduğunu unutmayın. Bu nedenle, kamusal atık yönetimi yetkilileri aracılığıyla bertaraf edilmesine izin verilmemektedir.
--	--

9. Teknik veriler

Genel bilgiler

	CS.Neo2	CS.Neo2 Pro	CS.Neo2 Max
Üretici firma	CADstar Technology GmbH	CADstar Technology GmbH	CADstar Technology GmbH
Onay	2023	2023	2023
Ağırlık	11.40 kg	11.50 kg	12.60 kg
Boyutlar (G x Y x D)	396 x 405 x 337 mm	396 x 405 x 337 mm	396 x 405 x 337 mm

Çevre

	CS.Neo2	CS.Neo2 Pro	CS.Neo2 Max
Çalışma sıcaklık aralığı	18 °C - 35 °C	18 °C - 35 °C	18 °C - 35 °C
Saklama sıcaklık aralığı	-15 °C - 50 °C	-15 °C - 50 °C	-15 °C - 50 °C
Rakım	0 - 3000 m	0 - 3000 m	0 - 3000 m
Kirlilik seviyesi	2	2	2

Elektrik sistemleri

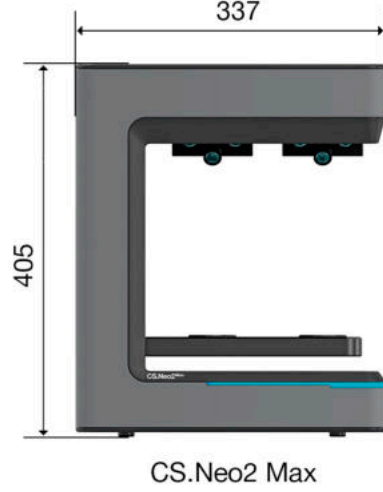
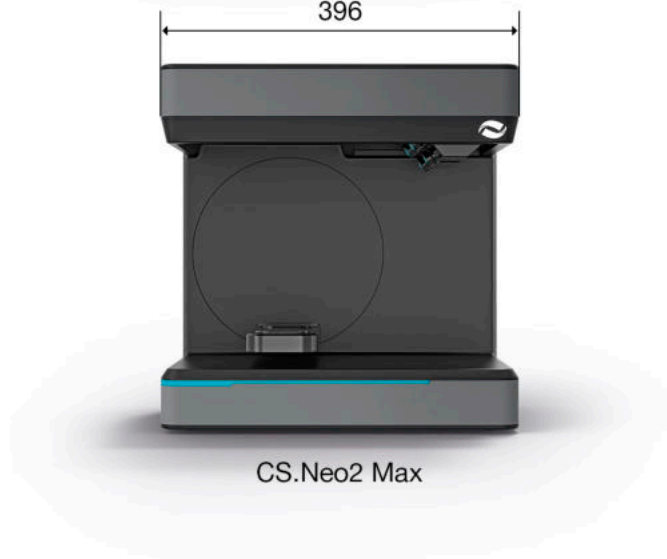
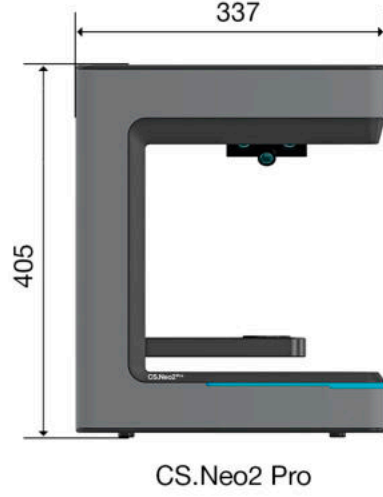
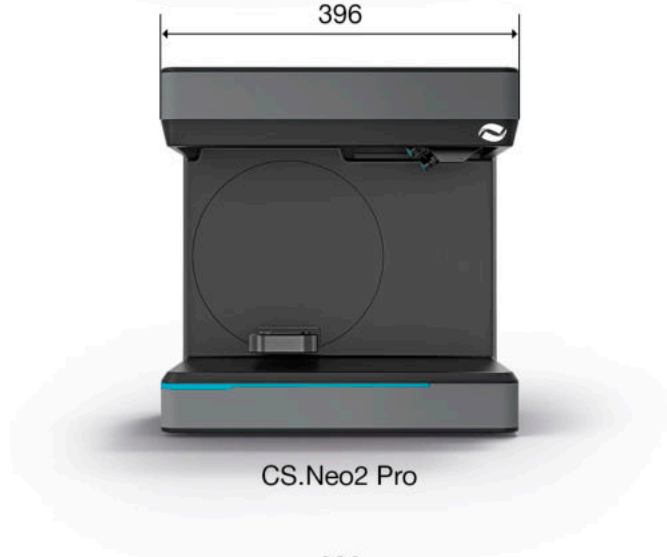
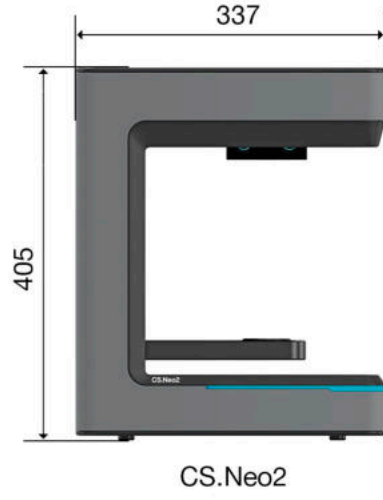
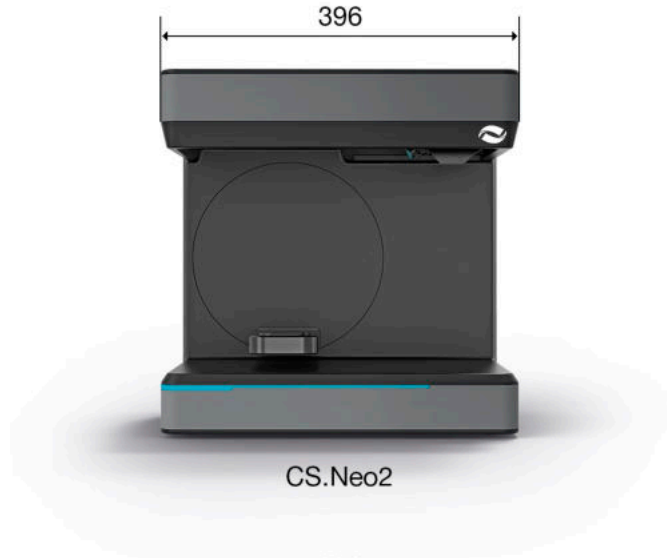
	CS.Neo2	CS.Neo2 Pro	CS.Neo2 Max
Şebeke gerilimi	90 - 264VAC	90 - 264VAC	90 - 264VAC
Şebeke frekansı	47 - 63Hz	47 - 63Hz	47 - 63Hz
Güç kaynağı ünitesi	90 Wh	90 Wh	90 Wh
Tarayıcı gerilimi	24V DC +%10	24V DC +%10	24V DC +%10
Güç tüketimi çalışırken	35 Wh	35 Wh	45 Wh
Güç tüketimi beklemedeyken	1 Wh	1 Wh	1 Wh
Kamera	2x 6 megapiksel	4x 6 megapiksel	2x 4x 6 megapiksel
USB bağlantı türü	USB 3.0 TYPE C (5Gbit/s)	USB 3.0 TYPE C (5Gbit/s)	USB 3.0 TYPE C (5Gbit/s)
USB bağlantı sayısı	1	1	2

Tarayıcı

	CS.Neo2	CS.Neo2 Pro	CS.Neo2 Max
Ölçüm aralığı (G x Y x D)	100 x 100 x 100 mm	100 x 100 x 100 mm	2x 100x100x100 mm
Azami cisim boyutu	200 x 200 x 150 mm	200 x 200 x 150 mm	300x200x150 mm
Azami cisim ağırlığı	2 kg	2 kg	2 kg
Mutlak doğruluk	<5 µ	<5 µ	<5 µ
Tekrarlama doğruluğu	<2 µ	<2 µ	<2 µ
Çıktı formatı	STL, PLY	STL, PLY	STL, PLY



9.1 Ürün diyagramları ve açıklıklar



10. Uygunluk Beyanı

(Orijinal AT Uygunluk Beyanı)

Üretici firma: CADstar Technology GmbH Grasslau 30 5500 Bischofshofen	İmza yetkilisi: Georg Dick (Genel Müdür)
Ürün: Optik 3D tarayıcı CS.Neo2, CS.Neo2 Pro, CS.Neo2 Max	Açıklama: CADstar Technology GmbH, burada gösterilen ürünün EMC 2014/30/AB, Alçak Gerilim 2014/35/AB direktiflerinin temel gerekliliklerine ve RoHS elektronik 2011/65/AB direktifi uyarınca elektrikli ve elektronik ekipmanlarda belirli tehlikeli maddelerin kullanımını kısıtlanmaya ilişkin yönetmeliklere uygun olduğunu teyit eder.
Geçerli standartlar:	
Güvenlik gereklilikleri	DIN EN IEC62368-1: 2022-09
EMC	DIN EN 55032:2022-08 DIN EN IEC 61000 3-2:2019-12 DIN EN IEC 61000-3-3:2020-07 DIN EN IEC 61000-4-2: 2009-12 DIN EN IEC 61000 4-3:2021-11 DIN EN IEC 61000-4-4:2013-04 DIN EN IEC 61000-4-5:2019-03 DIN EN IEC 61000-4-6:2014-08 DIN EN IEC 61000-4-8:2010-11 DIN EN IEC 61000-4-11:2021-10
RoHS	EN IEC 63000:2018; AB Direktifi 2011/65/AB:2023
	
Bischofshofen, Ocak 2023	Georg Dick
(Beyan yeri ve tarihi)	(İmza yetkilisinin adı ve imzası)

A-5500 Bischofshofen
Tel. +43 (0) 6462 / 32 880

office@cadstar.dental
www.cadstar.dental

